

SELF-PROPELLED SCISSOR LIFTS

PARTS MANUAL

(For S056-RS)



WARNING

THE MANUFACTURER SHALL NOT BE HELD LIABLE IN CASE OF FAULTS OR ACCIDENTS DUE TO NEGLIGENCE, INCAPACITY, INSTALLATION BY UNQUALIFIED TECHNICIANS AND IMPROPER USE OF THE MACHINE

DO NOT OPERATE THIS MACHINE UNTIL YOU READ AND UNDERSTAND ALL THE DANGERS, WARNINGS AND CAUTIONS IN THIS MANUAL

Part Number: SM0117225A_Rev1.1

Zhejiang Dingli Machinery Co., Ltd.

First Edition, August 2018 Printing

Table of Contents

Section 1 Chassis

| | | |
|-------|---|----|
| 101.1 | Steer Linkage and Wheels Assembly | 2 |
| 102.1 | Drive Wheel Assembly | 5 |
| 103.1 | Pothole Protection Assembly | 7 |
| 104.1 | Battery Pack Module | 9 |
| 105.1 | Hydraulic power unit | 12 |
| 106.1 | Motor Controller Assembly | 13 |
| 107.1 | Ground Control Assembly | 14 |
| 108.1 | Ladder and Accessories..... | 16 |

Section 2 Scissor

| | | |
|-------|-----------------------|----|
| 201.1 | Scissor Assembly..... | 20 |
|-------|-----------------------|----|

Section 3 Platform

| | | |
|-------|---------------------------------------|----|
| 301.1 | Main Platform Assembly | 24 |
| 302.1 | Platform Extension Assembly | 26 |
| 303.1 | Platform Locking Device Assembly..... | 28 |
| 304.1 | Platform Control Box Assembly | 29 |

Section 4 Hydraulic System

| | | |
|-------|------------------------------------|----|
| 401.1 | Lower Lift Cylinder Assembly | 32 |
| 402.1 | Upper Lift Cylinder Assembly | 34 |
| 403.1 | Hydraulic Hoses and Fittings..... | 36 |

Section 5 Electrical System

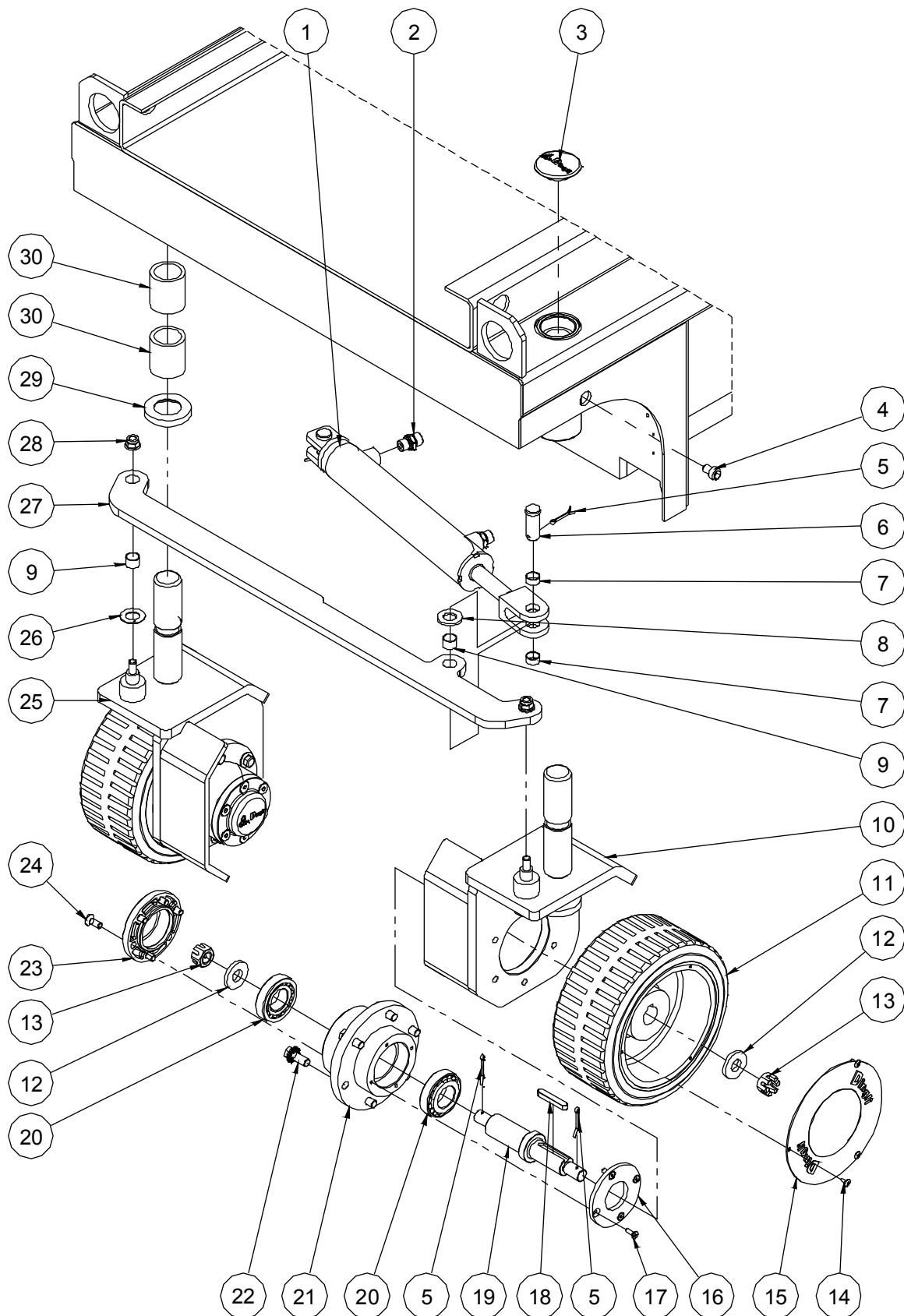
| | | |
|-------|--------------------------|----|
| 501.1 | Electrical Harness | 39 |
| 502.1 | Power to Platform | 42 |

Section 6 Decal

| | | |
|-------|------------|----|
| 601.1 | Decal..... | 45 |
|-------|------------|----|

Section 1 Chassis

101.1 Steer Linkage and Wheels Assembly



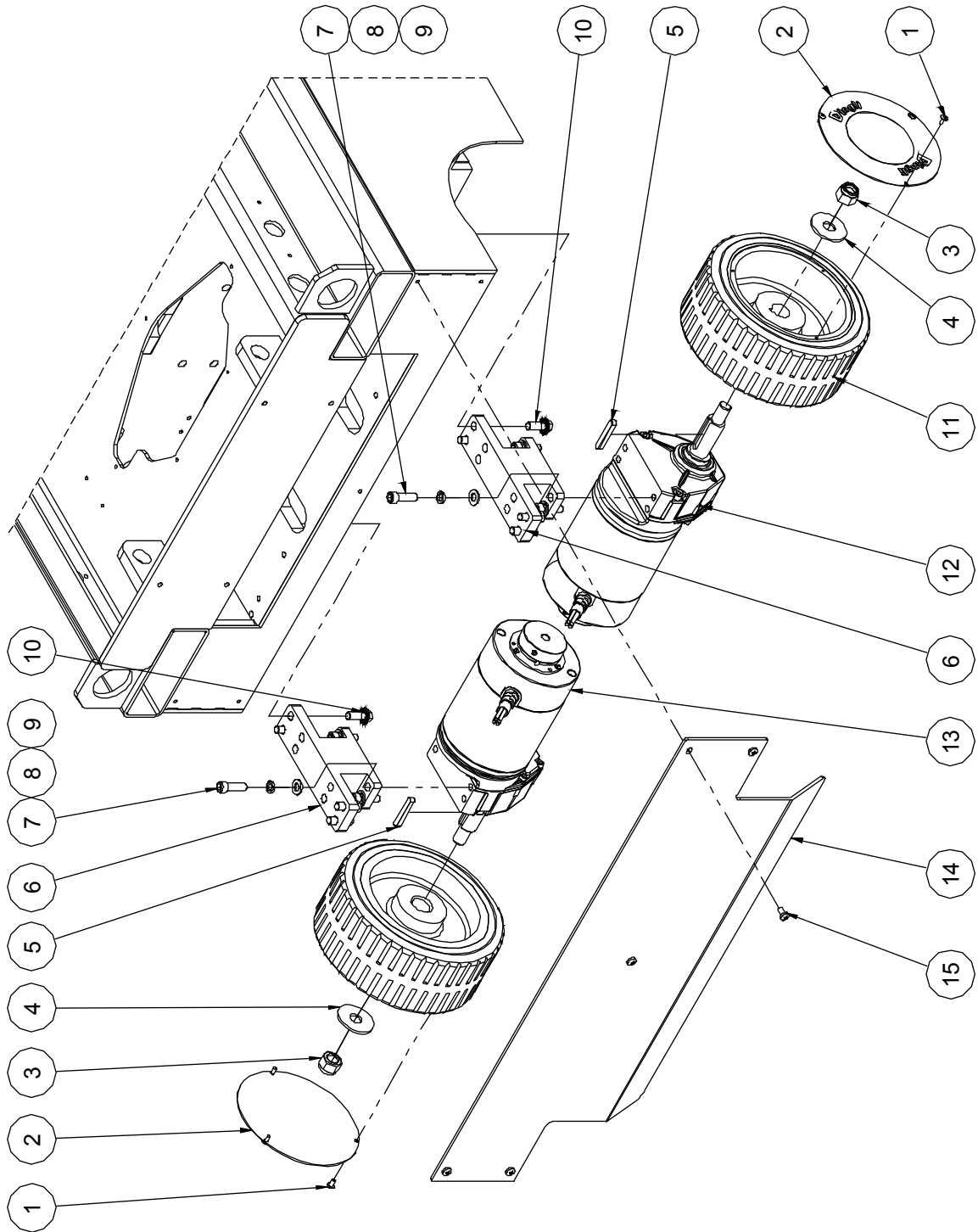
101.1 Steer Linkage and Wheels Assembly

| Item | Part No. | Description | Qty. |
|------|----------|--|------|
| 1 | 10001396 | Steer cylinder assembly (without seal kit) | 1 |
| -- | 00003068 | Seal kit | 1 |
| 2 | 00001290 | Straight fitting | 2 |
| 3 | 10001075 | Cover | 2 |
| 4 | 10001073 | Screw | 2 |
| 5 | 00002405 | Cotter pin GB/T 91 4×32 | 6 |
| 6 | 00000686 | 891-1634.5 Pin | 2 |
| 7 | 00000350 | 8812-161808 Bearing | 4 |
| 8 | 10001074 | Washer | 2 |
| 9 | 00000351 | 8812-161812 Bearing | 4 |
| 10 | 10002269 | Steer yoke weldment | 1 |
| 11 | 10001996 | Wheel | 2 |
| 12 | 10001104 | Washer | 4 |
| 13 | 00002077 | Nut GB/T 9459 M16×1.5 | 4 |
| 14 | 00001002 | Screw GB/T 973 M4×10 | 6 |
| 15 | 10001553 | Cover | 2 |
| 16 | 10001502 | Bearing cover | 2 |
| 17 | 00000822 | Screw GB/T 70.3 M5×16 | 8 |
| 18 | 00002939 | Key GB/T 1096 8×7×50 | 2 |
| 19 | 10002264 | Wheel shaft | 2 |
| 20 | 00001129 | Bearing 30206 | 4 |
| 21 | 10001503 | Connection plate | 2 |
| 22 | 00002887 | Bolt QC/T 340 M10×25 | 12 |
| 23 | 10000638 | Cap | 2 |
| 24 | 00000765 | Screw GB/T 70.3 M8×20 | 12 |
| 25 | 10002266 | Steer yoke weldment | 1 |
| 26 | 00000387 | 8832-18 Bearing | 2 |
| 27 | 10002263 | Tie rod | 1 |
| 28 | 00002572 | Nut GB/T 6183.1 M10 | 2 |

101.1 Steer Linkage and Wheels Assembly

| Item | Part No. | Description | Qty. |
|-------------|-----------------|---------------------|-------------|
| 29 | 10001072 | Washer | 2 |
| 30 | 00000417 | 8813-354550 Bearing | 4 |

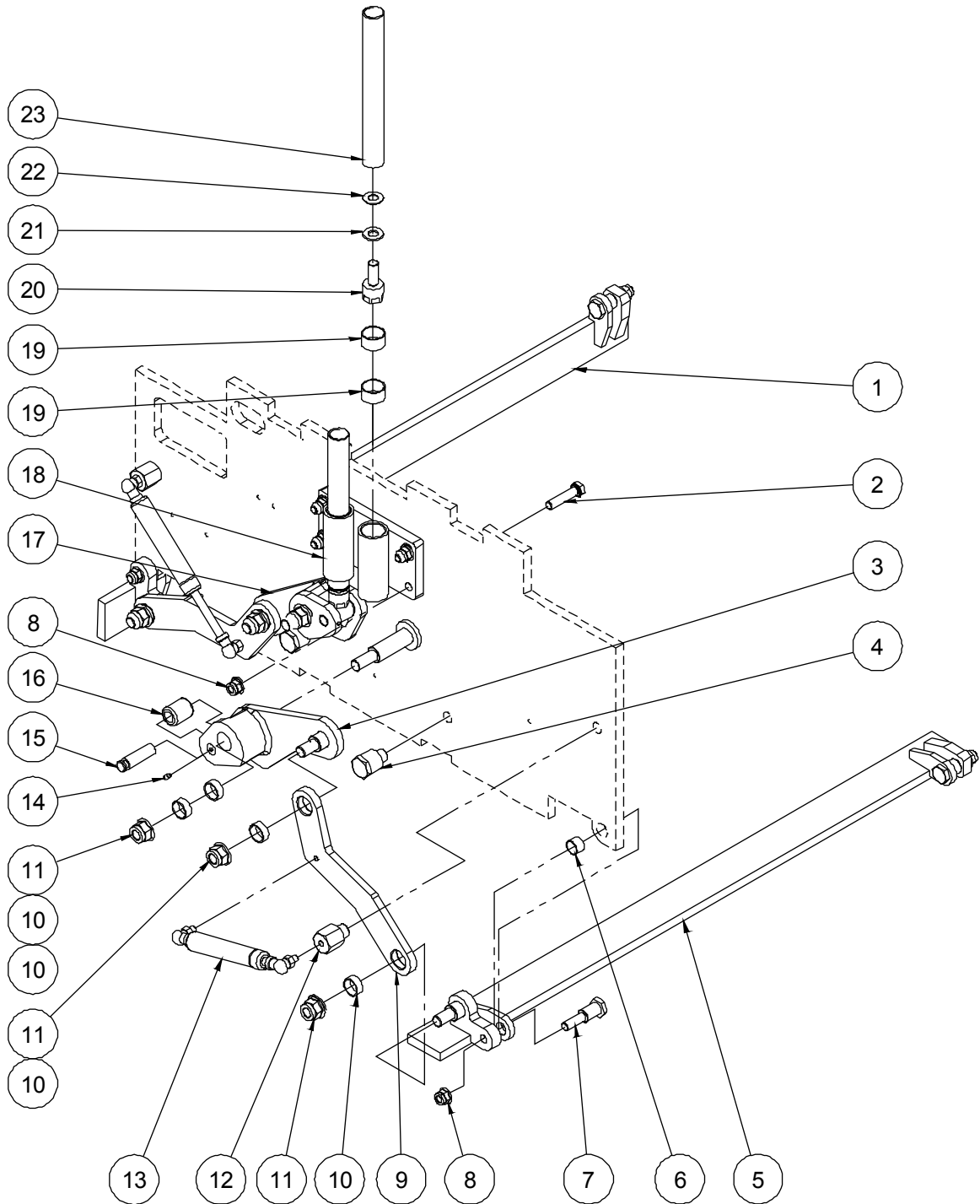
102.1 Drive Wheel Assembly



102.1 Drive Wheel Assembly

| Item | Part No. | Description | Qty. |
|------|----------|--------------------------------|------|
| 1 | 00001002 | Screw GB/T 973 M4×10 | 6 |
| 2 | 10001553 | Cover | 2 |
| 3 | 00003070 | Nut GB/T 889.2 M16×1.5 | 2 |
| 4 | 00003071 | Washer GB/T 96.1 16 | 2 |
| 5 | 00002939 | Key GB/T 1096 8×7×50 | 2 |
| 6 | 10001534 | Support | 2 |
| 7 | 00001157 | 3/8-24×1 1/4" Screw ANSI B18.3 | 8 |
| 8 | 00000679 | Washer GB/T 93 10 | 8 |
| 9 | 00000615 | Washer GB/T 97.1 10 | 8 |
| 10 | 00002887 | Bolt QC/T 340 M10×25 | 8 |
| 11 | 10001996 | Wheel | 2 |
| 12 | 00003328 | Right drive motor assembly | 1 |
| -- | 00002944 | Right motor | 1 |
| -- | 00003322 | Reducer | 1 |
| -- | 00003324 | Output shaft | 1 |
| -- | 00003325 | Brake | 1 |
| 13 | 00003327 | Left drive motor assembly | 1 |
| -- | 00002943 | Left motor | 1 |
| -- | 00003322 | Reducer | 1 |
| -- | 00003324 | Output shaft | 1 |
| -- | 00003325 | Brake | 1 |
| 14 | 10001999 | Plate (without platform power) | 1 |
| | 10003965 | Plate (with platform power) | 1 |
| 15 | 00001060 | Screw GB/T 818 M6×12 - H | 5 |

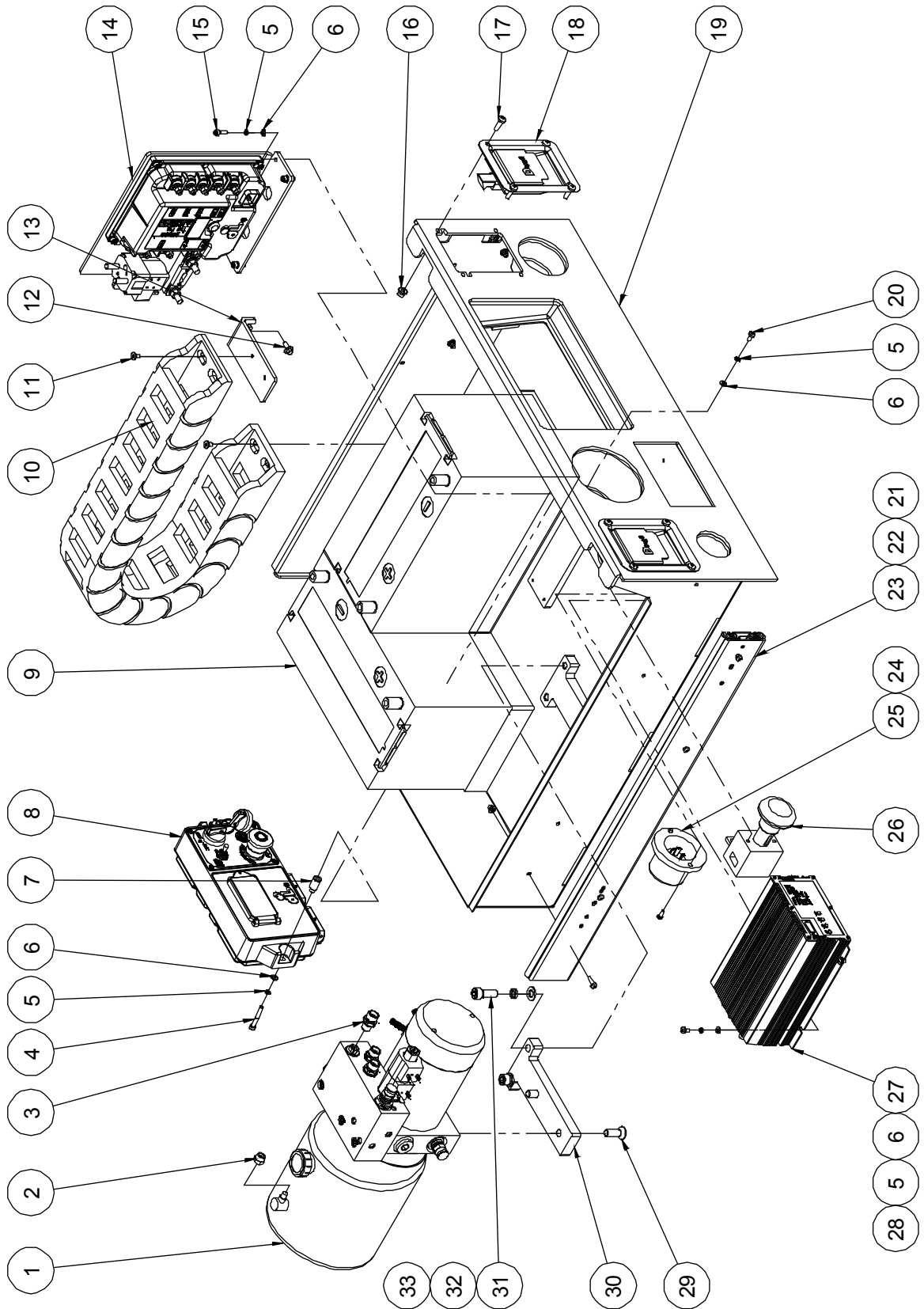
103.1 Pothole Protection Assembly



103.1 Pothole Protection Assembly

| Item | Part No. | Description | Qty. |
|------|----------|-------------------------|------|
| 1 | 10002261 | Pothole guard weldment | 1 |
| 2 | 00002411 | Bolt GB/T 5783 M10×45 | 4 |
| 3 | 10001467 | Linkage weldment | 1 |
| 4 | 10001466 | Pin | 2 |
| 5 | 10002259 | Pothole guard weldment | 1 |
| 6 | 00000351 | 8812-161812 Bearing | 4 |
| 7 | 10001465 | Pin | 4 |
| 8 | 00002572 | Nut GB/T 6183.1 M10 | 8 |
| 9 | 10002258 | Pothole link plate | 2 |
| 10 | 00000356 | 8812-202309 Bearing | 8 |
| 11 | 00002577 | Nut GB/T 6183.1 M14 | 6 |
| 12 | 10001464 | Gas shock strut | 2 |
| 13 | 10001495 | Gas shock | 2 |
| 14 | 00001039 | Screw GB/T 78 M5×10 | 2 |
| 15 | 10001463 | Pin | 2 |
| 16 | 10001462 | Roller | 2 |
| 17 | 10001471 | Linkage weldment | 1 |
| 18 | 10001474 | Pothole guide | 1 |
| 19 | 00000367 | 8812-252815 Bearing | 4 |
| 20 | 10001491 | Pothole hole pusher pin | 2 |
| 21 | 10001493 | Adjusting washer 2 | 2 |
| 22 | 10001494 | Adjusting washer 3 | 2 |
| 23 | 10001490 | Pothole hole pusher rod | 2 |

104.1 Battery Pack Module



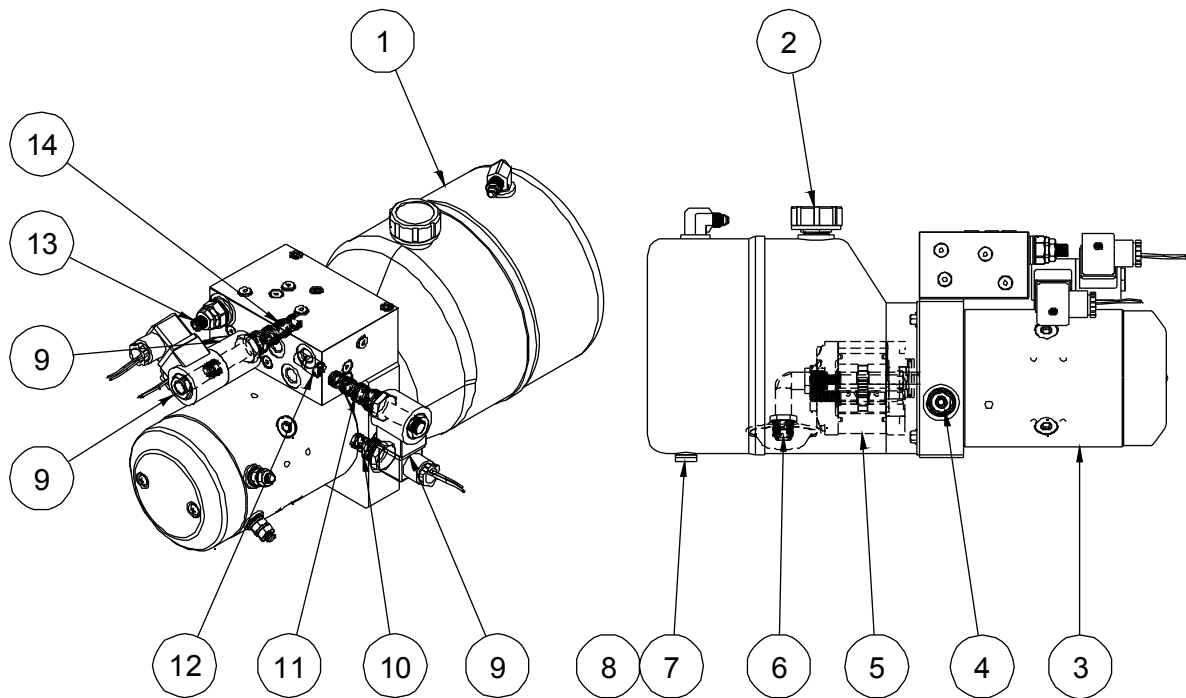
104.1 Battery Pack Module

| Item | Part No. | Description | Qty. |
|------|-----------|--|------|
| 1 | 00004274 | Hydraulic power unit (refer to 105.1) | 1 |
| 2 | 10000462 | Nut | 1 |
| 3 | 00001318 | Straight fitting | 3 |
| 4 | 00002392 | Screw GB/T 70.1 M5×40 | 2 |
| 5 | 00000606 | Washer GB/T 93 5 | 12 |
| 6 | 00000605 | Washer GB/T 97.1 5 | 12 |
| 7 | 10001552 | Sleeve pipe | 2 |
| 8 | 00002362B | Ground control assembly (refer to 107.1) | 1 |
| 9 | 00002200 | Battery | 2 |
| 10 | 10001997 | Towline | 1 |
| 11 | 00000828 | Screw GB/T 70.3 M6×10 | 4 |
| 12 | 00002865 | Bolt QC/T 340 M6×14 | 2 |
| 13 | 10002024 | Towline bracket | 1 |
| 14 | | Motor controller assembly (refer to 106.1) | 1 |
| 15 | 00001246 | Screw GB/T 70.1 M5×16 | 4 |
| 16 | 00002574 | Nut GB/T 6183.1 M6 | 8 |
| 17 | 00001166 | Screw GB/T 818 M6×20 - H | 8 |
| 18 | 10001482 | Latch | 2 |
| 19 | 10005913 | Battery tray weldment | 1 |
| 20 | 00002319 | Screw GB/T 818 M5×10 - H | 2 |
| 21 | 00002573 | Nut GB/T 6183.1 M5 | 8 |
| 22 | 00001250 | Screw GB/T 818 M5×16 - H | 8 |
| 23 | 10001541 | Glide track | 2 |
| 24 | 00002414 | Screw GB/T 818 M4×12 - H | 2 |
| 25 | 00002564 | Plug | 1 |
| 26 | 00000655 | Power switch | 1 |
| 27 | 00002380 | Charger | 1 |
| 28 | 00002391 | Screw GB/T 818 M5×8 - H | 4 |
| 29 | 00000847 | Screw GB/T 70.3 M10×30 | 2 |

104.1 Battery Pack Module

| Item | Part No. | Description | Qty. |
|------|----------|------------------------|------|
| 30 | 10001521 | Bracket | 1 |
| 31 | 00001059 | Screw GB/T 70.1 M10×30 | 2 |
| 32 | 00000679 | Washer GB/T 93 10 | 2 |
| 33 | 00000615 | Washer GB/T 97.1 10 | 2 |

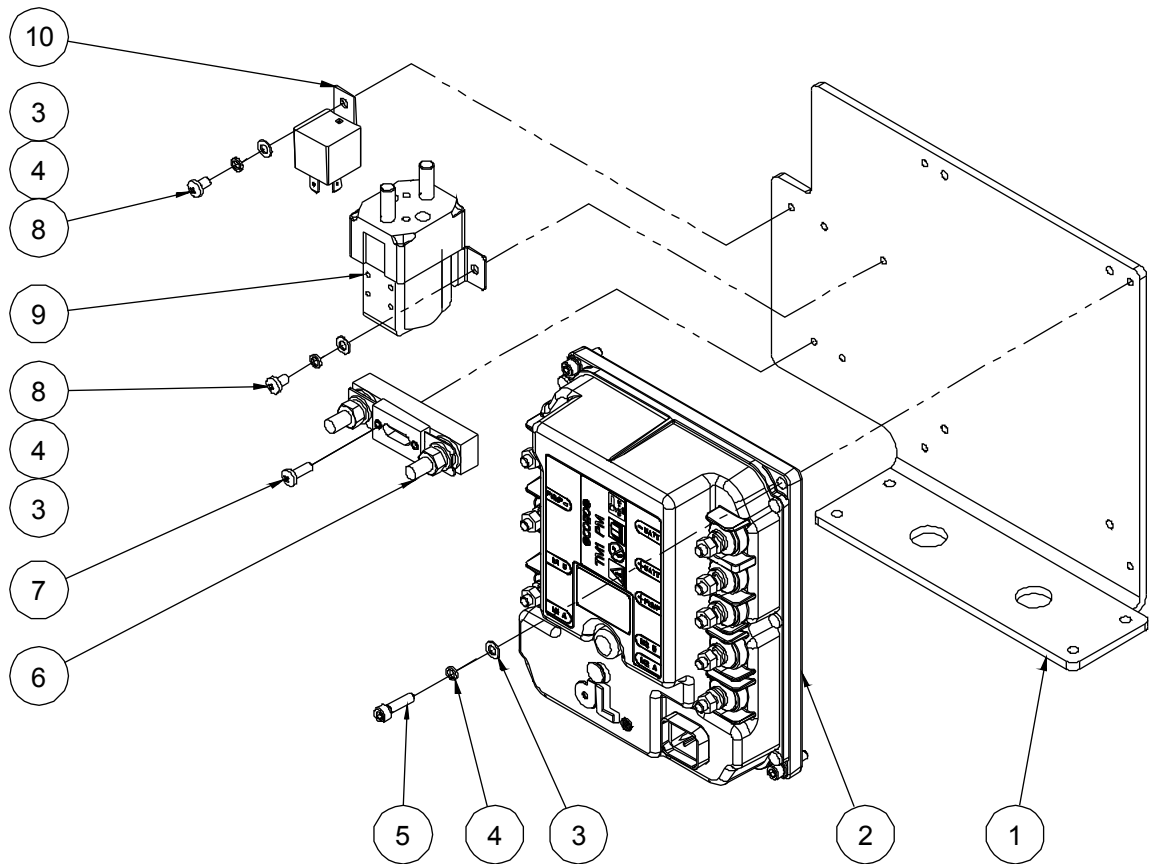
105.1 Hydraulic power unit



105.1 Hydraulic power unit

| Item | Part No. | Description | Qty. |
|------|----------|-----------------------------|------|
| 1 | 00004277 | Tank | 1 |
| 2 | 00004286 | Tank cover | 1 |
| 3 | 00004276 | Motor | 1 |
| 4 | 00004278 | Relief valve | 1 |
| 5 | 00004275 | Pump | 1 |
| 6 | 00004281 | Filter web | 1 |
| 7 | 00004302 | Plug | 1 |
| 8 | 00001333 | Washer | 1 |
| 9 | 00004284 | Coil | 3 |
| 10 | 00004285 | Check valve | 1 |
| 11 | 00004282 | Solenoid valve spool | 1 |
| 12 | 00004280 | Pressure compensation valve | 1 |
| 13 | 00004294 | Relief valve | 1 |
| 14 | 00004283 | Solenoid valve spool | 1 |

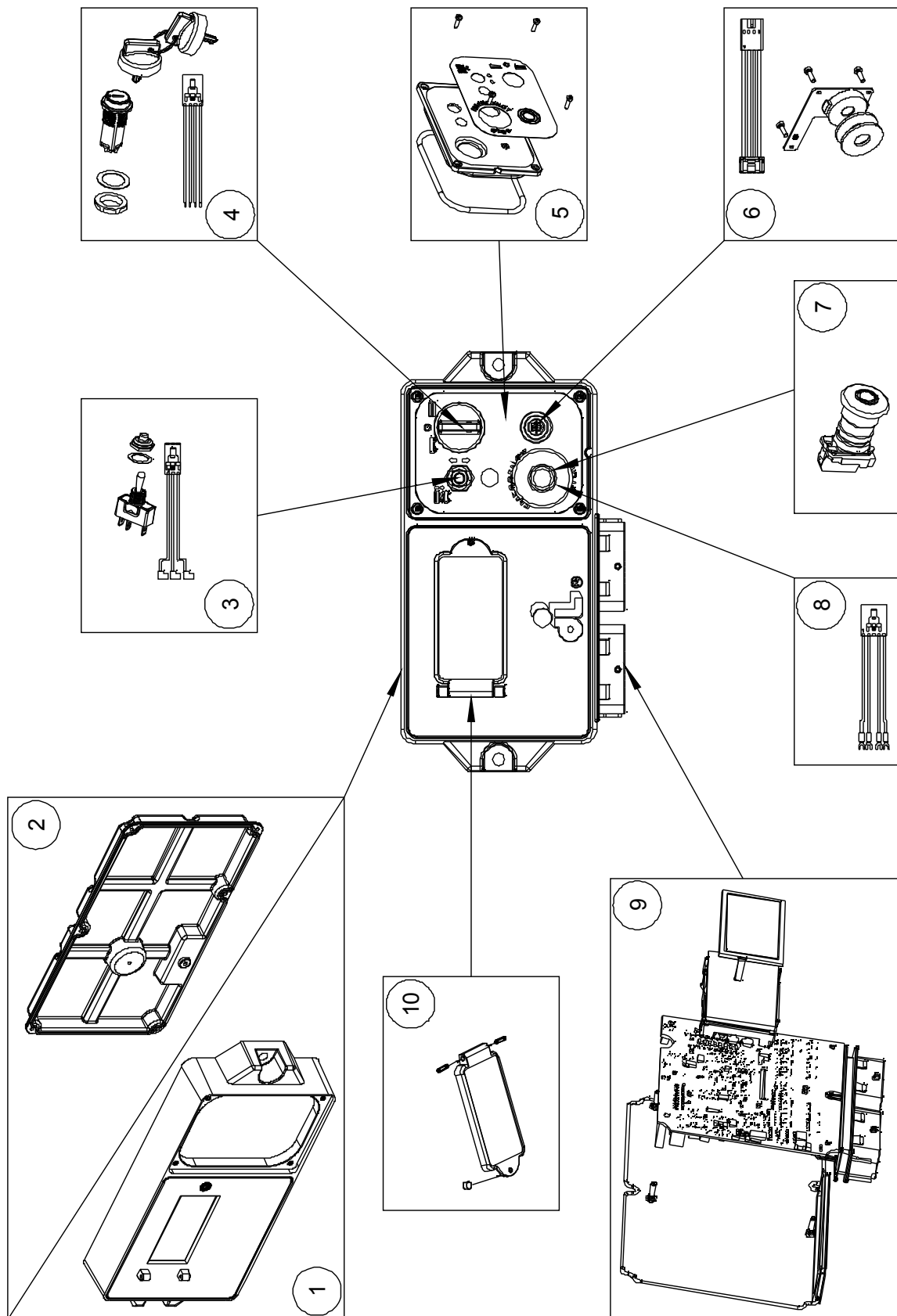
106.1 Motor Controller Assembly



106.1 Motor Controller Assembly

| Item | Part No. | Description | Qty. |
|------|----------|--------------------------|------|
| 1 | 10002960 | Mounting plate | 1 |
| 2 | 00002381 | Motor controller | 1 |
| 3 | 00000605 | Washer GB/T 97.1 5 | 7 |
| 4 | 00000606 | Washer GB/T 93 5 | 7 |
| 5 | 00000817 | Screw GB/T 70.1 M5×20 | 4 |
| 6 | 00003069 | 200A Fuse assembly | 1 |
| -- | 00000759 | 200A Fuse | 1 |
| -- | 00000757 | Fuse seat | 1 |
| 7 | 00002313 | Screw GB/T 818 M5×14 - H | 2 |
| 8 | 00002391 | Screw GB/T 818 M5×8 - H | 3 |
| 9 | 00002028 | DC Contactor | 1 |
| 10 | 00002561 | Relay | 1 |

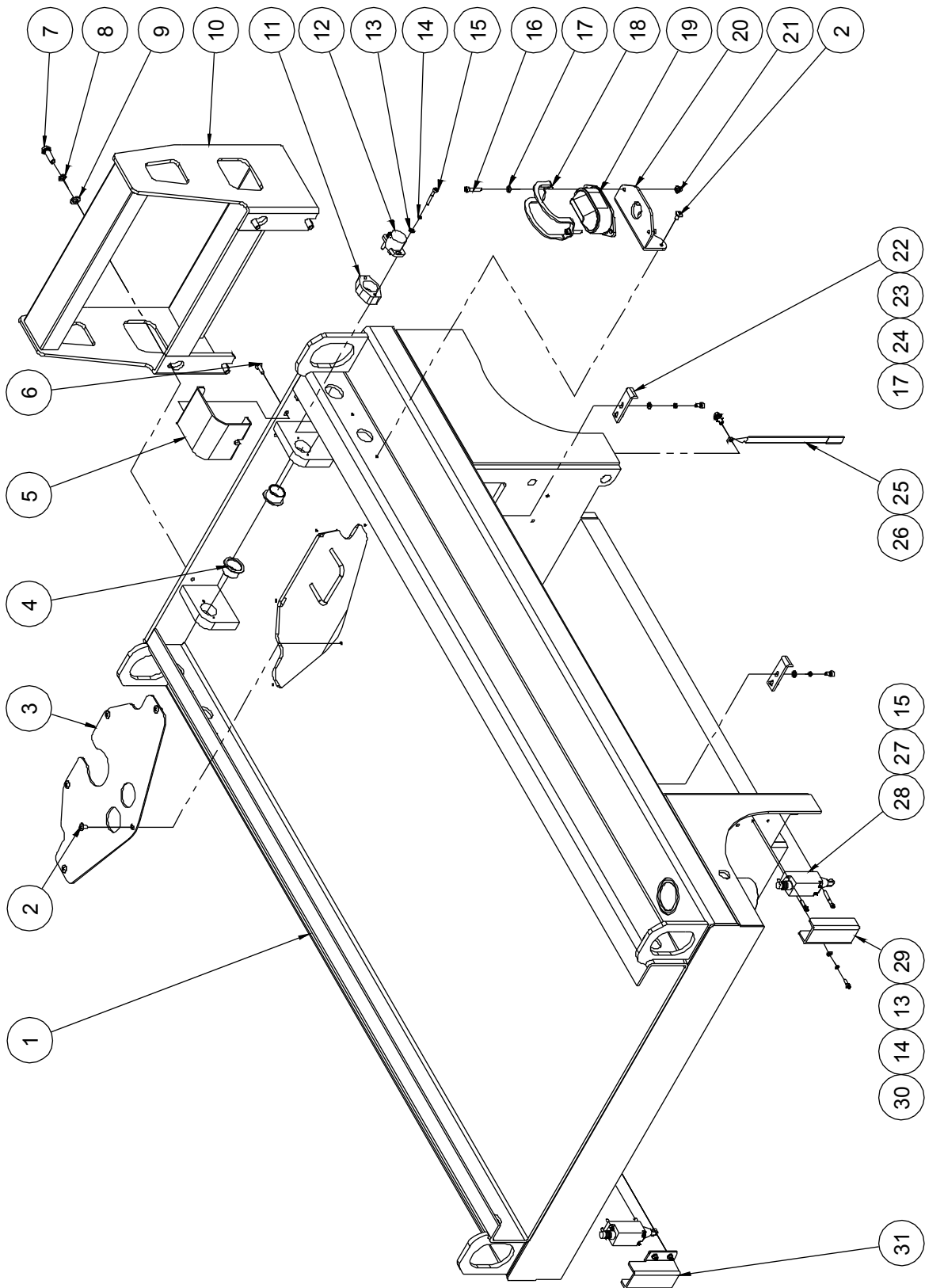
107.1 Ground Control Assembly



107.1 Ground Control Assembly

| Item | Part No. | Description | Qty. |
|------|----------|-------------------------------|------|
| 1 | 00003159 | Plastic body | 1 |
| 2 | 00003160 | Plastic bottom | 1 |
| 3 | 00004235 | Toggle switch kit | 1 |
| 4 | 00004236 | Key switch kit | 1 |
| -- | 00003172 | Key | 1 |
| 5 | 00004238 | Electromechanical panel kit | 1 |
| 6 | 00004239 | Alarm kit | 1 |
| 7 | 00003718 | Emergency stop switch | 1 |
| -- | 00003719 | Red mushroom head | 1 |
| -- | 00003720 | Base with 1 NC contact | 1 |
| 8 | 00004240 | Emergency stop switch harness | 1 |
| 9 | 00004234 | PCB & Display kit | 1 |
| 10 | 00002379 | Screen protector kit | 1 |

108.1 Ladder and Accessories



108.1 Ladder and Accessories

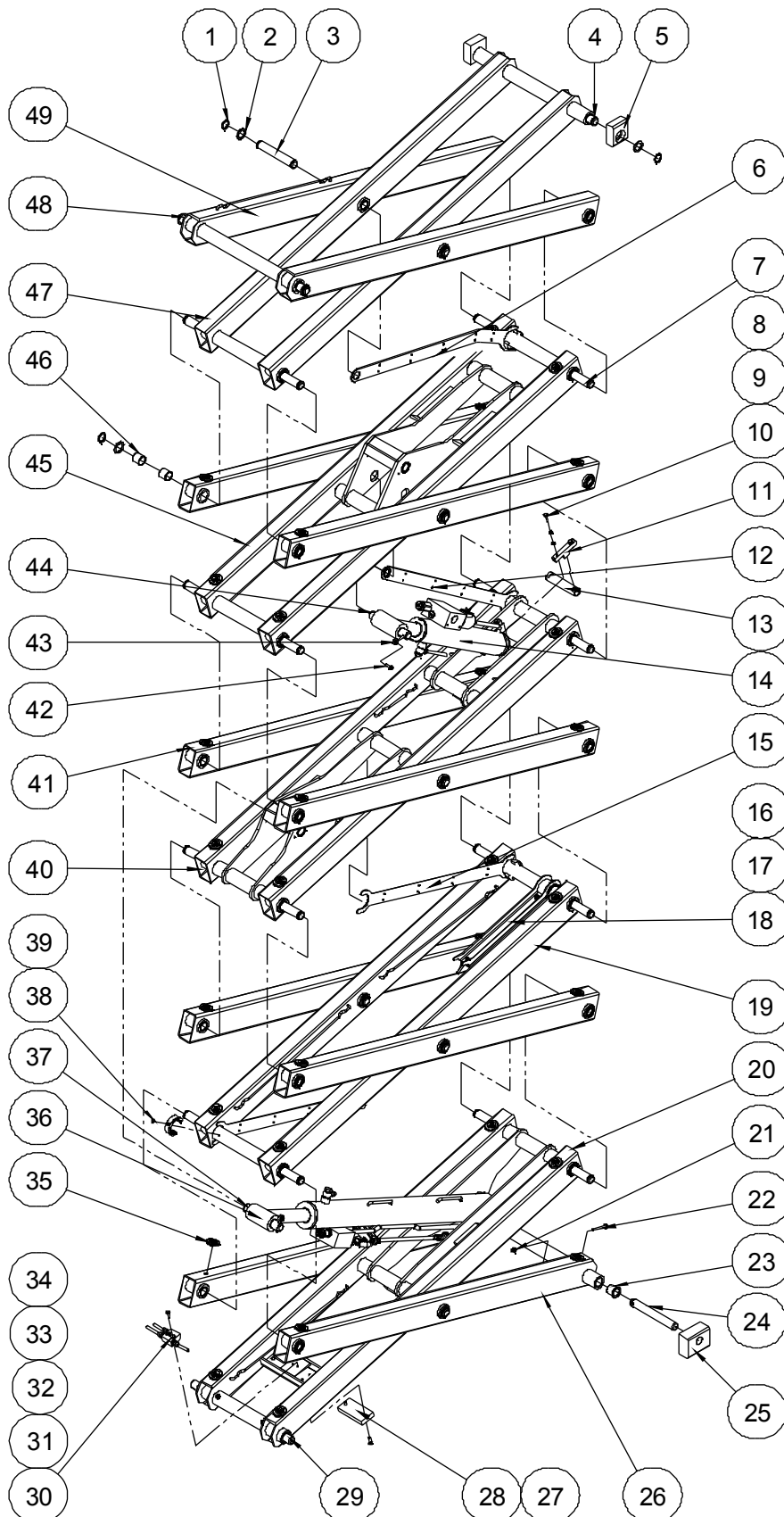
| Item | Part No. | Description | Qty. |
|------|----------|--|------|
| 1 | 10002952 | Frame weldment | 1 |
| 2 | 00000999 | Screw GB/T 973 M5×10 | 7 |
| 3 | 10002118 | Cover | 1 |
| 4 | 00000229 | 8822-25165 Bearing | 2 |
| 5 | 10002962 | Sensor cover | 1 |
| 6 | 00002523 | Screw GB/T 973 M5×16 | 2 |
| 7 | 00000993 | Bolt GB/T 5783 M8×25 | 4 |
| 8 | 00000609 | Washer GB/T 93 8 | 4 |
| 9 | 00000608 | Washer GB/T 97.1 8 | 4 |
| 10 | 10002273 | Ladder (without circuit breaker bracket) | 1 |
| | 10004653 | Ladder (with circuit breaker bracket) | 1 |
| 11 | 10001569 | Sensor bracket | 1 |
| 12 | 00000644 | Rotary sensor | 1 |
| 13 | 00000778 | Washer GB/T 97.1 4 | 6 |
| 14 | 00000779 | Washer GB/T 93 4 | 6 |
| 15 | 00002415 | Screw GB/T 70.1 M4×30 | 6 |
| 16 | 00002484 | Screw GB/T 70.1 M5×25 | 2 |
| 17 | 00000605 | Washer GB/T 97.1 5 | 6 |
| 18 | 10000488 | Beacon cover | 1 |
| 19 | 00000740 | Beacon | 1 |
| 20 | 10001565 | Beacon bracket | 1 |
| 21 | 00002573 | Nut GB/T 6183.1 M5 | 2 |
| 22 | 10001571 | Lock | 2 |
| 23 | 00001030 | Screw GB/T 70.1 M5×10 | 4 |
| 24 | 00000606 | Washer GB/T 93 5 | 4 |
| 25 | 10000487 | Ground strap | 1 |
| 26 | 00002865 | Bolt QC/T 340 M6×14 | 1 |
| 27 | 00000604 | Screw GB/T 70.1 M4×16 | 4 |
| 28 | 00002419 | Limit switch | 2 |

108.1 Ladder and Accessories

| Item | Part No. | Description | Qty. |
|-------------|-----------------|-----------------------|-------------|
| 29 | 10001567 | Switch cover | 1 |
| 30 | 00001054 | Screw GB/T 70.1 M4×12 | 4 |
| 31 | 10001566 | Switch cover | 1 |

Section 2 Scissor

201.1 Scissor Assembly



201.1 Scissor Assembly

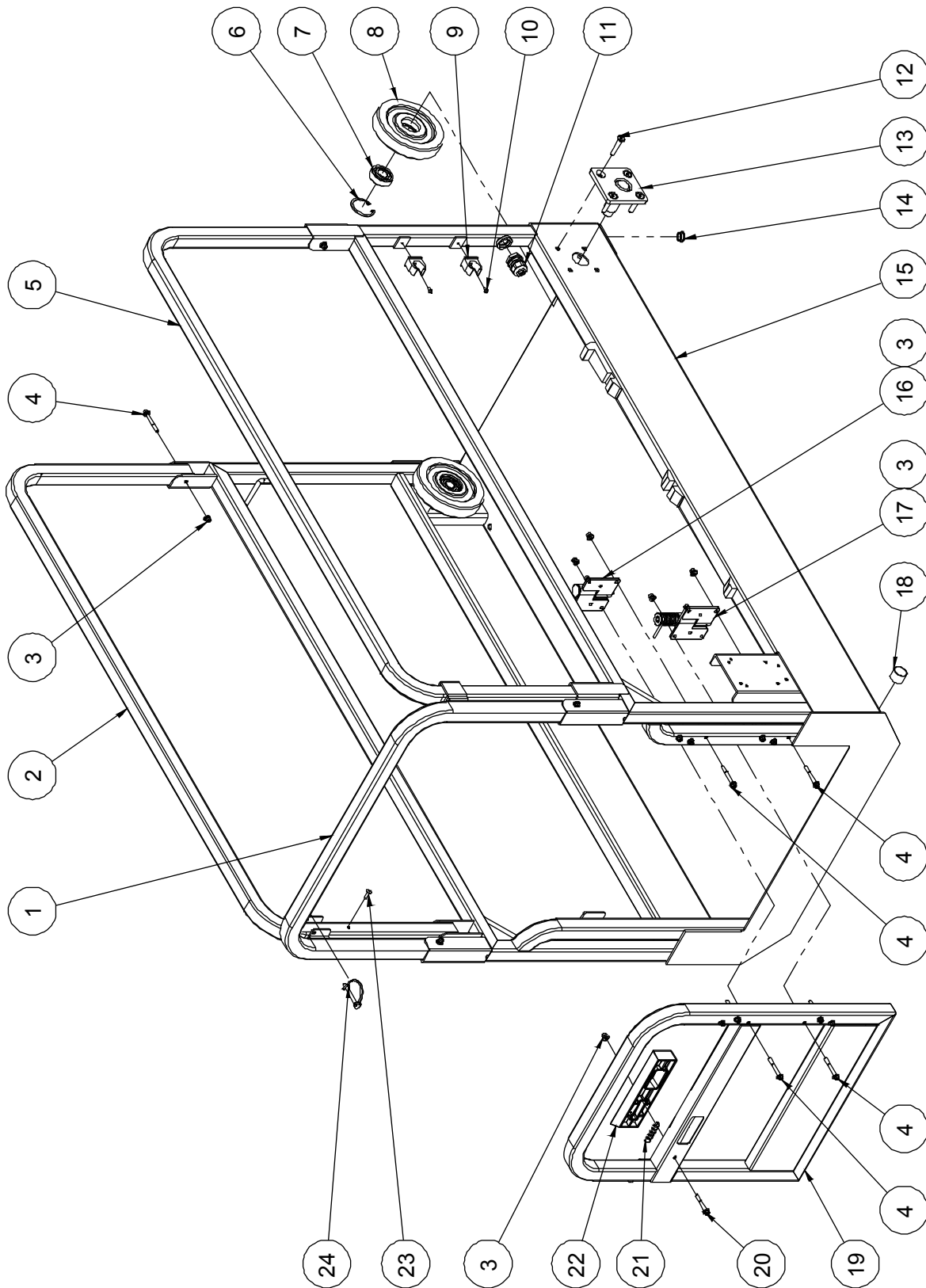
| Item | Part No. | Description | Qty. |
|------|----------|--|------|
| 1 | 00000781 | Circlips JB/ZQ 4342-25 | 36 |
| 2 | 10001404 | Washer | 34 |
| 3 | 00000559 | 899-25136 Pin | 6 |
| 4 | 00000561 | 899-25502 Pin | 1 |
| 5 | 10001420 | Platform slider | 2 |
| 6 | 10004340 | Cable bridge | 1 |
| 7 | 00000560 | 899-25468 Pin | 10 |
| 8 | 00001034 | Screw GB/T 70.1 M6×25 | 4 |
| 9 | 00000621 | Washer GB/T 93 6 | 4 |
| 10 | 00000620 | Washer GB/T 97.1 6 | 4 |
| 11 | 10002310 | Lock plate | 2 |
| 12 | 10002308 | Cable bridge | 1 |
| 13 | 10002309 | Pin | 1 |
| 14 | | Upper lift cylinder assembly (without seal kit) (refer to 402.1) | 1 |
| 15 | 10002307 | Cable bridge | 2 |
| 16 | 10001403 | Safety arm bushing | 2 |
| 17 | 10001402 | Safety arm | 2 |
| 18 | 00002866 | Bolt QC/T 340 M6×20 | 2 |
| 19 | 10002302 | Inner arm 2 | 1 |
| 20 | 10005735 | Inner arm 1 | 1 |
| 21 | 00002569 | Bolt GB/T 16674 M6×55 | 4 |
| 22 | 00002574 | Nut GB/T 6183.1 M6 | 6 |
| 23 | 00003062 | 8822-25265 Bearing | 28 |
| 24 | 00002334 | 896B-25×14 Pin | 2 |
| 25 | 10002311 | Chassis slider | 2 |
| 26 | 10002304 | Outer arm 1 | 1 |
| 27 | 00000832 | Screw GB/T 70.3 M6×25 | 2 |
| 28 | 10001400 | Pothole pusher | 1 |

201.1 Scissor Assembly

| Item | Part No. | Description | Qty. |
|------|----------|--|------|
| 29 | 10001405 | Pin | 1 |
| 30 | 10000425 | Hydraulic hoses manifolds | 1 |
| 31 | 10005753 | Hose | 1 |
| 32 | 10005752 | Hose | 1 |
| 33 | 10002367 | Hose | 1 |
| 34 | 00000831 | Screw GB/T 70.3 M6×20 | 2 |
| 35 | 10000264 | Block | 32 |
| 36 | | Lower lift cylinder assembly (without seal kit) (refer to 401.1) | 1 |
| 37 | 00000584 | 895-25135 Pin | 2 |
| 38 | 00000821 | Screw GB/T 70.3 M5×12 | 3 |
| 39 | 10001421 | Collar | 3 |
| 40 | 10002301 | Inner arm 3 | 1 |
| 41 | 10002305 | Outer arm 2 | 6 |
| 42 | 00002864 | Bolt QC/T 340 M6×16 | 3 |
| 43 | 00000217 | 8902-06045 Pin | 3 |
| 44 | 00002938 | 895-25145 Pin | 1 |
| 45 | 10004338 | Inner arm 4 | 1 |
| 46 | 00000369 | 8812-252825 Bearing | 64 |
| 47 | 10002306 | Inner arm 5 | 1 |
| 48 | 00000562 | 899-25516 Pin | 1 |
| 49 | 10002328 | Outer arm 5 | 1 |

Section 3 Platform

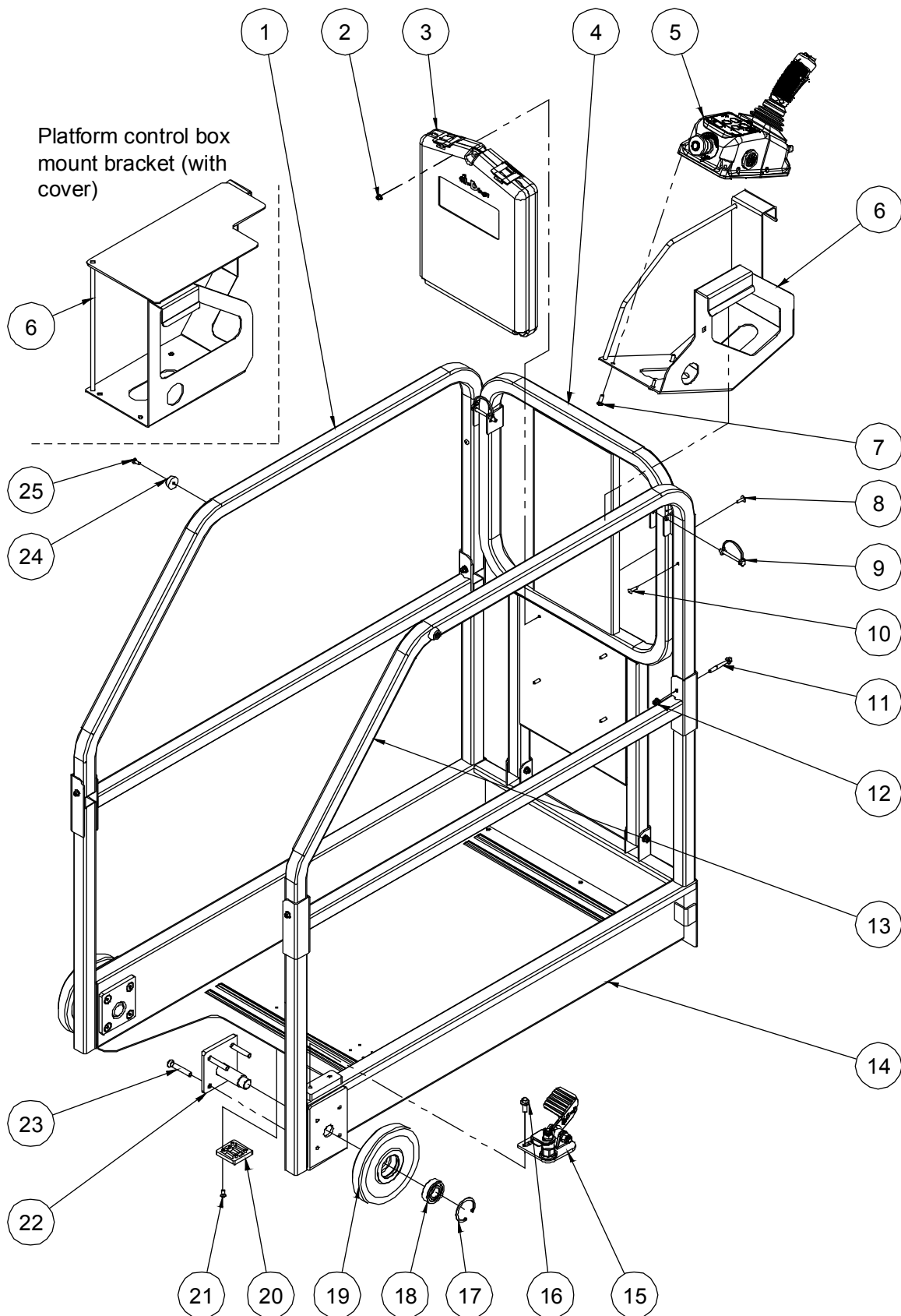
301.1 Main Platform Assembly



301.1 Main Platform Assembly

| Item | Part No. | Description | Qty. |
|------|----------|------------------------------|------|
| 1 | 10001278 | Rear rail | 1 |
| 2 | 10002354 | Upper main rail, left | 1 |
| 3 | 00002574 | Nut GB/T 6183.1 M6 | 19 |
| 4 | 00002581 | Bolt GB/T 16674 M6×50 | 18 |
| 5 | 10002355 | Upper main rail, right | 1 |
| 6 | 00000887 | Circlips GB/T 893.1-47 | 2 |
| 7 | 00001295 | Bearing GB/T 276-1994 - 6204 | 2 |
| 8 | 10002031 | Roller | 2 |
| 9 | 00001823 | Clip 24 | 2 |
| 10 | 00004385 | Screw GB/T 823 M4×8 | 2 |
| 11 | 00002316 | Water-proof joint M24 | 1 |
| 12 | 00001154 | Screw GB/T 70.3 M8×45 | 8 |
| 13 | 10000307 | Roller bracket | 2 |
| 14 | 10001389 | Sheath | 1 |
| 15 | 10002347 | Main deck weldment | 1 |
| 16 | 10000299 | Hinge A | 1 |
| 17 | 10000302 | Hinge B | 1 |
| 18 | 00000368 | 8812-252820 Bearing | 2 |
| 19 | 10001250 | Entry gate | 1 |
| 20 | 00002585 | Bolt GB/T 16674 M6×45 | 1 |
| 21 | 10002379 | Spring | 1 |
| 22 | 10001255 | Latch handle | 1 |
| 23 | 00001991 | Rivet GB/T 12618.4 4.8×16 | 2 |
| 24 | 10001178 | Inserted pin | 2 |

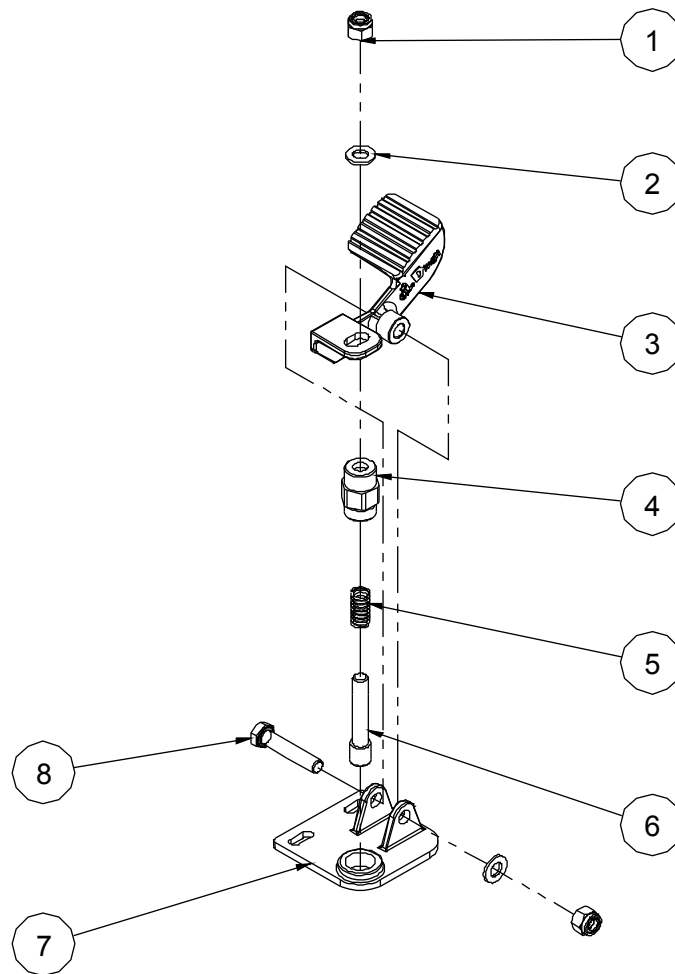
302.1 Platform Extension Assembly



302.1 Platform Extension Assembly

| Item | Part No. | Description | Qty. |
|------|----------|---|------|
| 1 | 10001245 | Upper extension rail, left | 1 |
| 2 | 00002573 | Nut GB/T 6183.1 M5 | 4 |
| 3 | 50000555 | Manual box | 1 |
| 4 | 10001266 | Front rail | 1 |
| 5 | 00004632 | Platform control box assembly (refer to 304.1) | 1 |
| 6 | 10001251 | Platform control box mount bracket | 1 |
| | 10001949 | Platform control box mount bracket (with cover) | 1 |
| 7 | 00001986 | Screw GB/T 818 M6×16 - H | 4 |
| 8 | 00002523 | Screw GB/T 973 M5×16 | 4 |
| 9 | 10001178 | Inserted pin | 2 |
| 10 | 00001991 | Rivet GB/T 12618.4 4.8×16 | 2 |
| 11 | 00002581 | Bolt GB/T 16674 M6×50 | 6 |
| 12 | 00002574 | Nut GB/T 6183.1 M6 | 6 |
| 13 | 10001247 | Upper extension rail, right | 1 |
| 14 | 10002016 | Extension deck weldment | 1 |
| 15 | 10000333 | Platform locking device assembly (refer to 303.1) | 1 |
| 16 | 00002875 | Bolt QC/T 340 M8×20 | 2 |
| 17 | 00000887 | Circlips GB/T 893.1-47 | 2 |
| 18 | 00001295 | Bearing GB/T 276-1994 - 6204 | 2 |
| 19 | 10002054 | Roller | 2 |
| 20 | 10000046 | Slide pad | 2 |
| 21 | 00002337 | Screw GB/T 819 M5×12 - H | 8 |
| 22 | 10000307 | Roller bracket | 2 |
| 23 | 00001155 | Screw GB/T 70.3 M8×55 | 8 |
| 24 | 10000376 | Bumper | 2 |
| 25 | 00000607 | Screw GB/T 818 M5×12 - H | 2 |

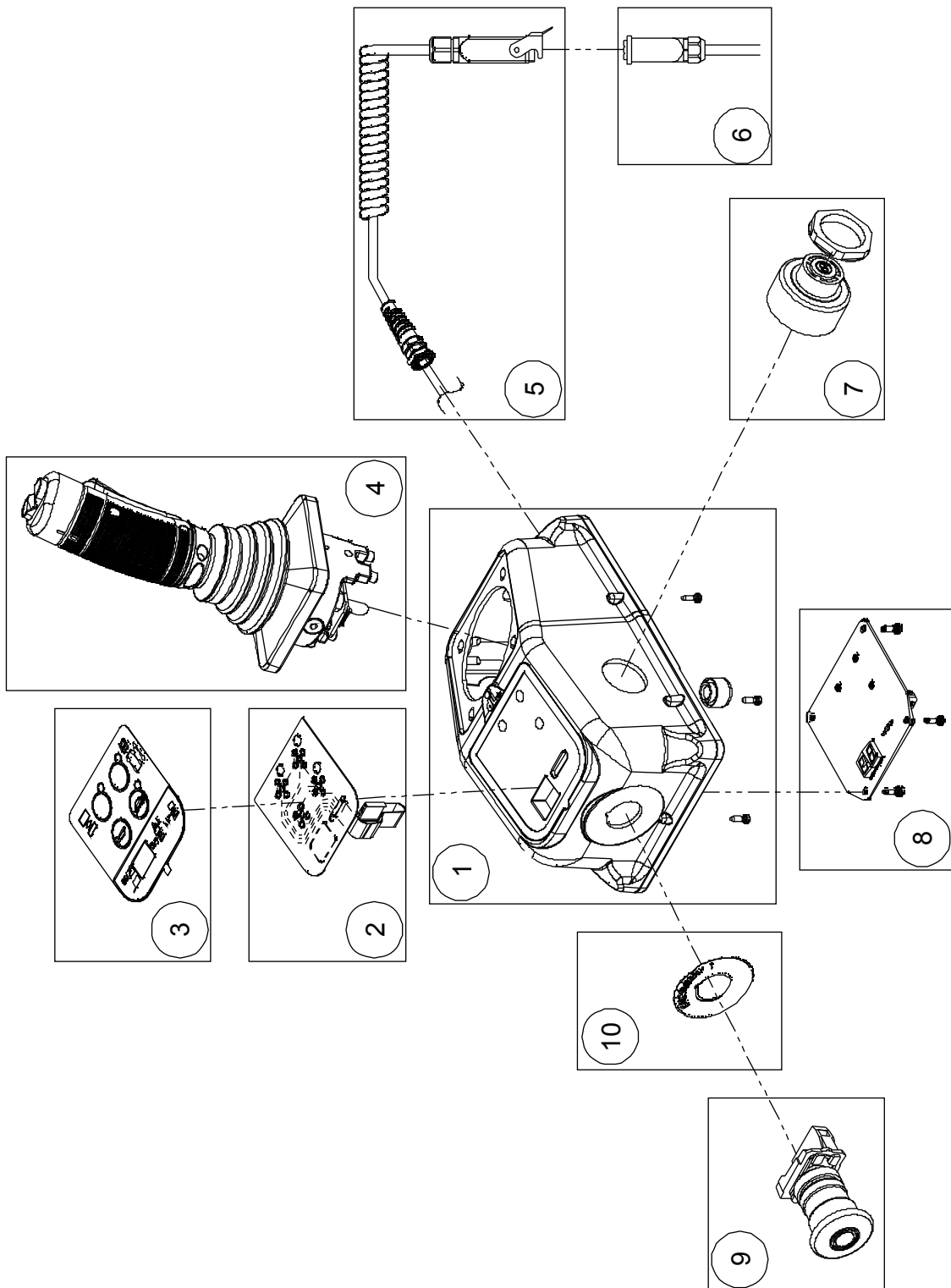
303.1 Platform Locking Device Assembly



303.1 Platform Locking Device Assembly

| Item | Part No. | Description | Qty. |
|------|----------|-----------------------|------|
| 1 | 00000623 | Nut GB/T 6182 M10 | 2 |
| 2 | 00000615 | Washer GB/T 97.1 10 | 2 |
| 3 | 10000334 | Foot pedal | 1 |
| 4 | 10000337 | Lock pin housing | 1 |
| 5 | 10000336 | Spring | 1 |
| 6 | 10000338 | Lock pin | 1 |
| 7 | 10000339 | Bracket | 1 |
| 8 | 00002030 | Bolt GB/T 5782 M10×50 | 1 |

304.1 Platform Control Box Assembly

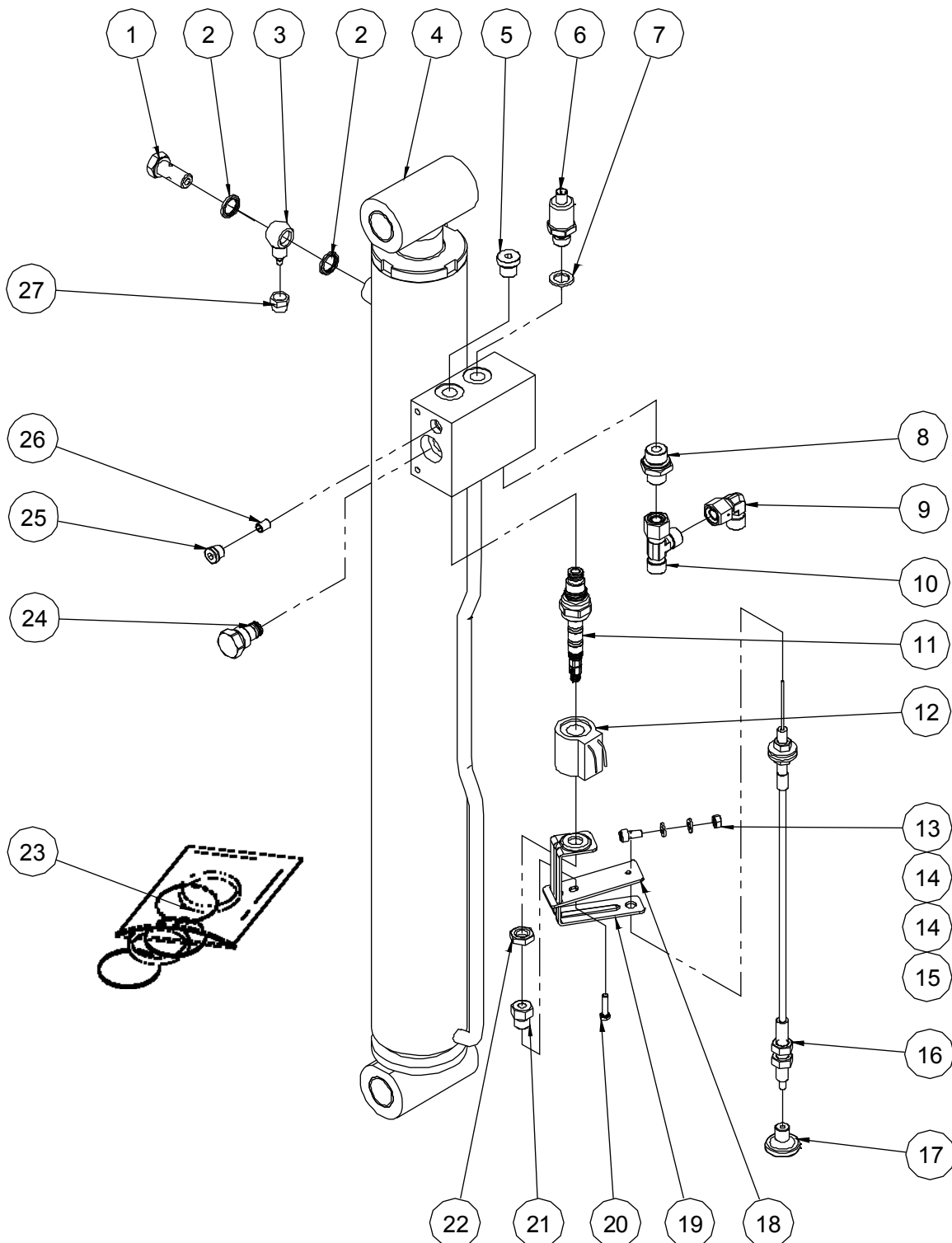


304.1 Platform Control Box Assembly

| Item | Part No. | Description | Qty. |
|------|----------|-------------------------------|------|
| 1 | 00004224 | PCU housing | 1 |
| 2 | 00004225 | Keyboard | 1 |
| 3 | 09140006 | Decal, Platform control panel | 1 |
| 4 | 00002324 | Joystick | 1 |
| -- | 00004226 | Switch boot | 1 |
| 5 | 00004633 | Coil cord | 1 |
| -- | 00003037 | Housing | 1 |
| -- | 00004637 | Male insert | 1 |
| -- | 00004755 | Male contacts | 5 |
| -- | 00003043 | Cable gland | 1 |
| 6 | 00004606 | Platform control box harness | 1 |
| -- | 00003042 | Hood | 1 |
| -- | 00004638 | Female insert | 1 |
| -- | 00004754 | Female contacts | 5 |
| -- | 00003043 | Cable gland | 2 |
| 7 | 00002326 | Alarm | 1 |
| 8 | 00002322 | Main board | 1 |
| 9 | 00003718 | Emergency stop switch | 1 |
| -- | 00003719 | Red mushroom head | 1 |
| -- | 00003720 | Base with 1 NC contact | 1 |
| 10 | 00002328 | Decal, Emergency stop panel | 1 |

Section 4 Hydraulic System

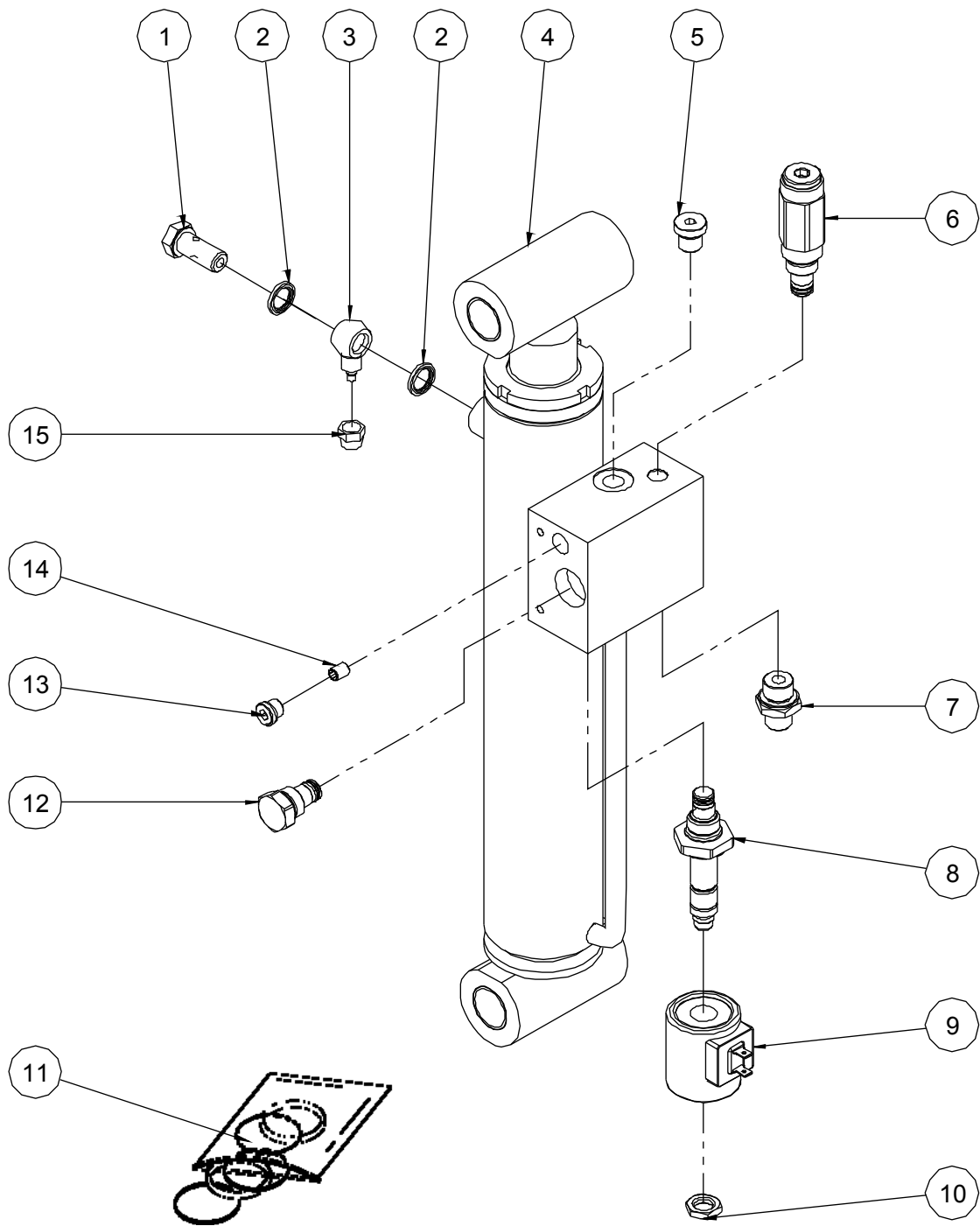
401.1 Lower Lift Cylinder Assembly



401.1 Lower Lift Cylinder Assembly

| Item | Part No. | Description | Qty. |
|------|----------|-------------------------------|------|
| 1 | 10000464 | Fitting | 1 |
| 2 | 00002519 | Washer BS/A 13.74 | 2 |
| 3 | 10000465 | Fitting | 1 |
| 4 | 10005767 | Lower lift cylinder | 1 |
| 5 | 00001073 | Plug VSTI14×1.5ED | 1 |
| 6 | 00002418 | Pressure sensor | 1 |
| 7 | 00002518 | Washer JB/T 982 13 | 1 |
| 8 | 00001292 | Straight fitting | 1 |
| 9 | 00001833 | Elbow | 1 |
| 10 | 00001238 | Tee fitting | 1 |
| 11 | 00003118 | Solenoid valve spool | 1 |
| 12 | 00003119 | Coil | 1 |
| 13 | 00002247 | Nut GB/T 6170 M6 | 1 |
| 14 | 00000620 | Washer GB/T 97.1 6 | 2 |
| 15 | 10001457 | Screw | 1 |
| 16 | 10005769 | Emergency down cable assembly | 1 |
| 17 | 10001458 | Lowering knob | 1 |
| 18 | 10001455 | Plate | 1 |
| 19 | 10001456 | Support | 1 |
| 20 | 00002268 | Bolt GB/T 5783 M5×20 | 1 |
| 21 | 10001454 | Cable connector | 1 |
| 22 | 00003122 | Nut GB/T 6172.1 M12 | 1 |
| 23 | 00003336 | Seal kit | 1 |
| 24 | 10000404 | Check valve | 1 |
| 25 | 00002998 | Plug SAE4 | 1 |
| 26 | 00003027 | Orifice $\Phi 1.5$ | 1 |
| 27 | 10000462 | Nut | 1 |

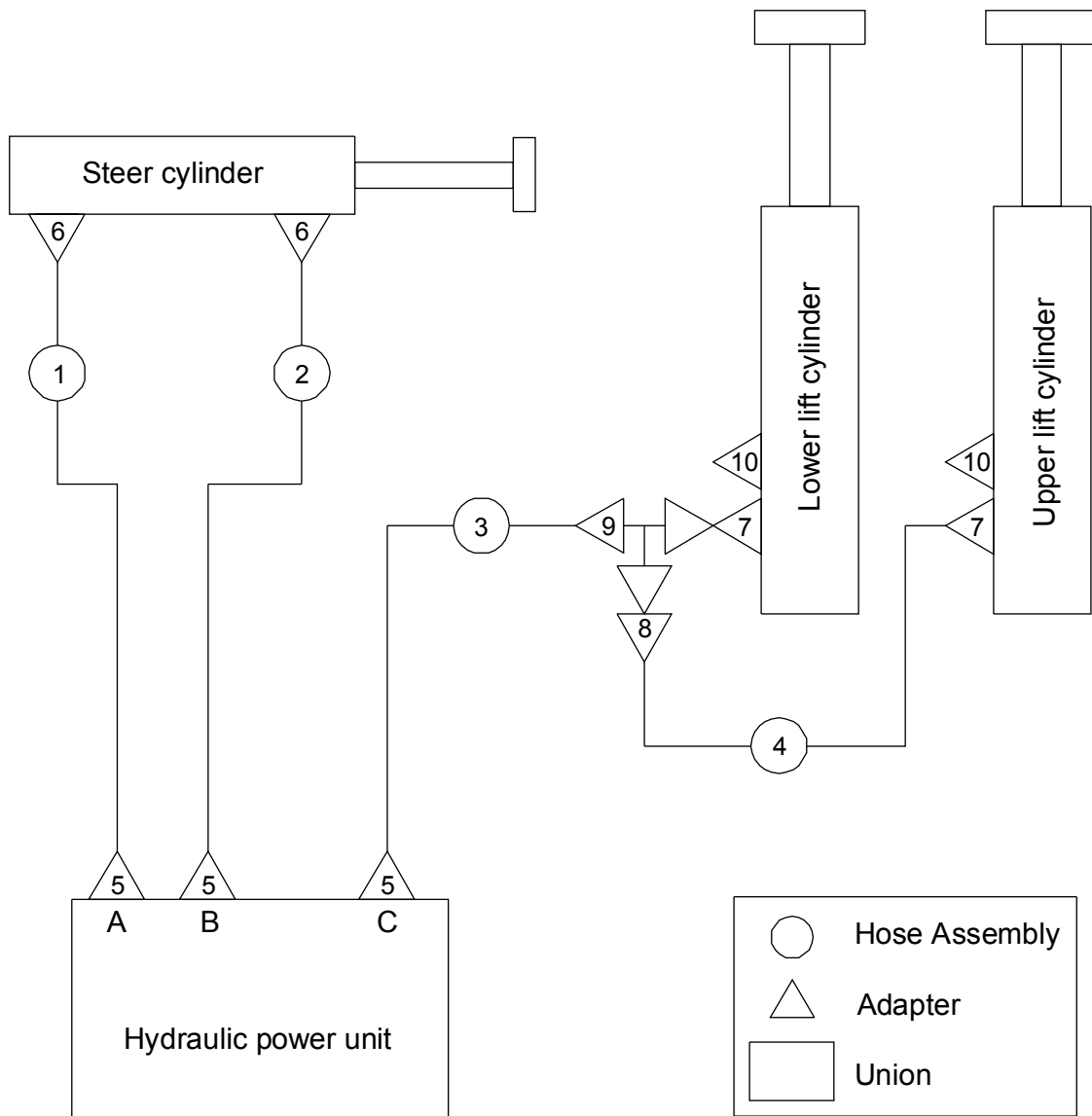
402.1 Upper Lift Cylinder Assembly



402.1 Upper Lift Cylinder Assembly

| Item | Part No. | Description | Qty. |
|------|----------|----------------------|------|
| 1 | 10000464 | Fitting | 1 |
| 2 | 00002519 | Washer BS/A 13.74 | 2 |
| 3 | 10000465 | Fitting | 1 |
| 4 | 10002029 | Upper lift cylinder | 1 |
| 5 | 00001073 | Plug VSTI14×1.5ED | 1 |
| 6 | 10000086 | Relief valve | 1 |
| 7 | 00001292 | Straight fitting | 1 |
| 8 | 00004686 | Solenoid valve spool | 1 |
| 9 | 00003018 | Coil | 1 |
| 10 | 00003017 | Nut | 1 |
| 11 | 00003337 | Seal kit | 1 |
| 12 | 10000404 | Check valve | 1 |
| 13 | 00002998 | Plug SAE4 | 1 |
| 14 | 00003028 | Orifice $\Phi 0.7$ | 1 |
| 15 | 10000462 | Nut | 1 |

403.1 Hydraulic Hoses and Fittings

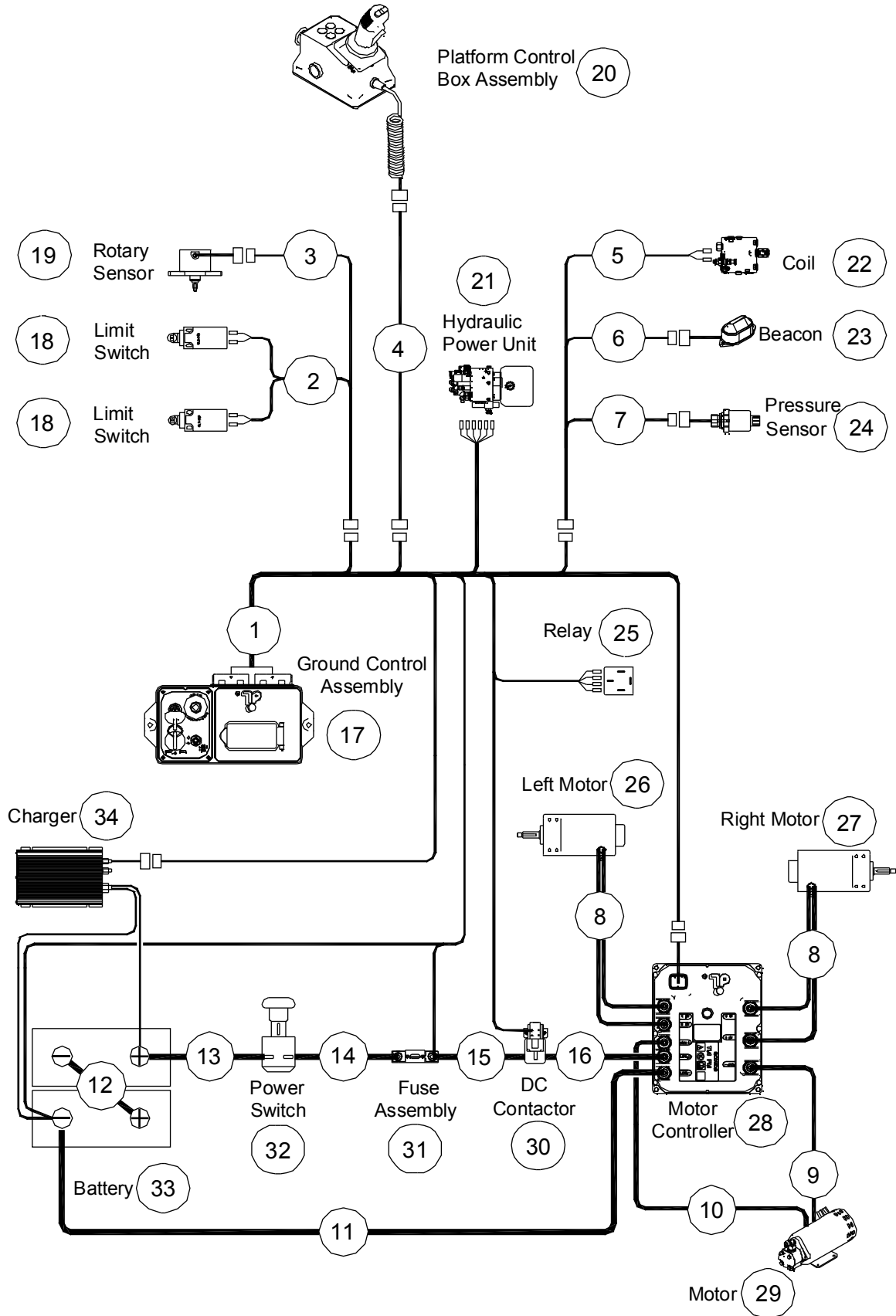


403.1 Hydraulic Hoses and Fittings

| Item | Part No. | Description | Qty. |
|------|----------|-------------------|------|
| 1 | 00002296 | Hose assembly | 1 |
| 2 | 00002471 | Hose assembly | 1 |
| 3 | 00004582 | Hose assembly | 1 |
| 4 | 00005053 | Hose assembly | 1 |
| 5 | 00001318 | Straight fitting | 3 |
| 6 | 00001290 | Straight fitting | 2 |
| 7 | 00001292 | Straight fitting | 2 |
| 8 | 00001833 | Elbow | 1 |
| 9 | 00001238 | Tee fitting | 1 |
| 10 | 00001073 | Plug VST114×1.5ED | 2 |

Section 5 Electrical System

501.1 Electrical Harness



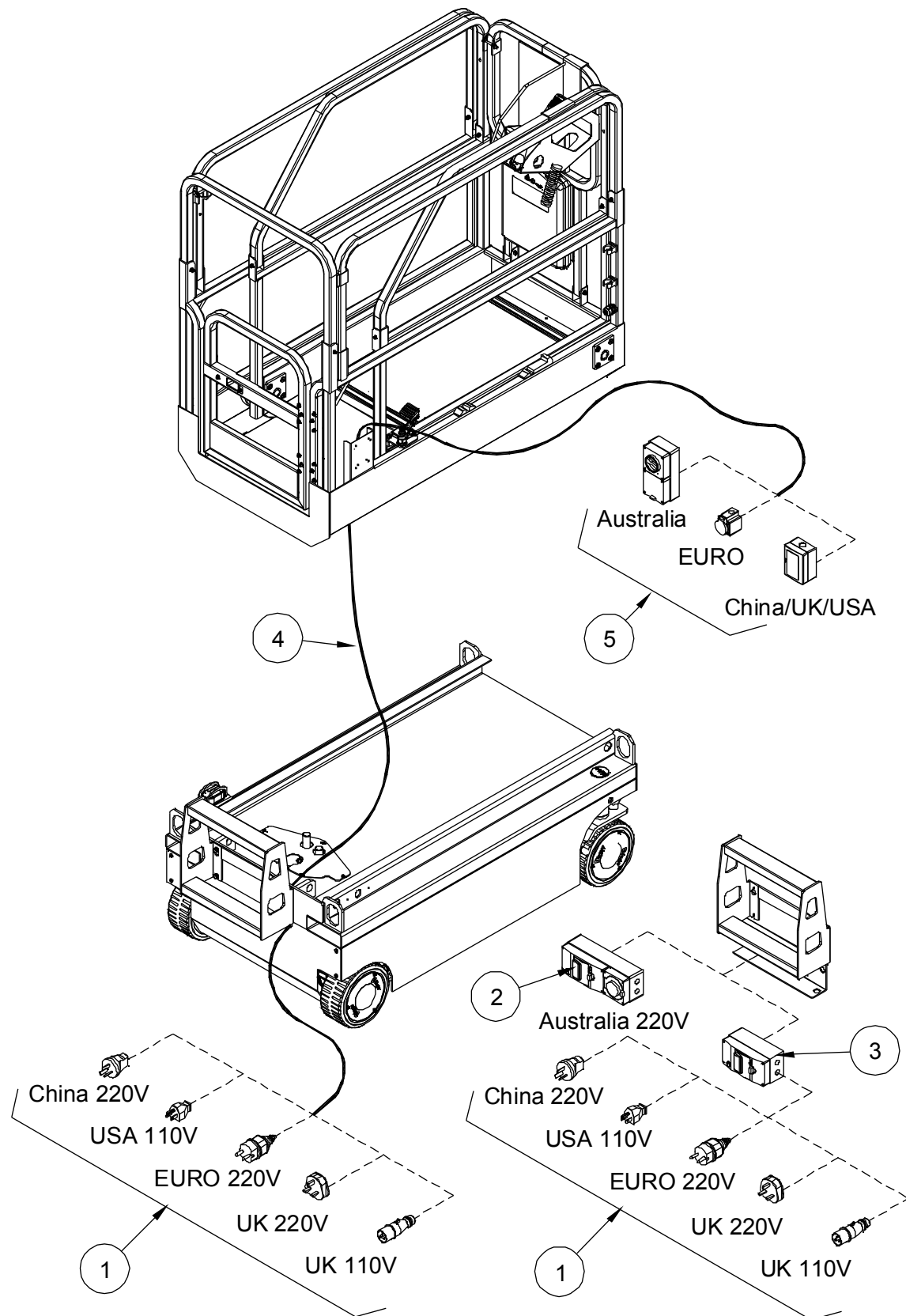
501.1 Electrical Harness

| Item | Part No. | Description | Qty. |
|------|----------|--|------|
| 1 | 00004599 | ECU harness | 1 |
| 2 | 00002696 | Pothole harness | 1 |
| 3 | 00002708 | Rotary sensor harness | 1 |
| 4 | 00004606 | Platform control box harness | 1 |
| 5 | 00003158 | Lowering valve harness | 1 |
| 6 | 00002704 | Beacon harness | 1 |
| 7 | 00002964 | Pressure sensor harness | 1 |
| 8 | 00003863 | Drive motor harness | 2 |
| 9 | 00002684 | Pump motor negative harness | 1 |
| 10 | 00002680 | Pump motor positive harness | 1 |
| 11 | 00002659 | Battery negative harness | 1 |
| 12 | 00002660 | Battery harness | 1 |
| 13 | 00002667 | Battery positive harness | 1 |
| 14 | 00002707 | Fuse harness | 1 |
| 15 | 00002705 | DC contactor harness | 1 |
| 16 | 00002678 | Motor controller harness | 1 |
| 17 | | Ground control assembly (refer to 107.1) | 1 |
| 18 | | Limit switch, pothole (refer to 108.1) | 2 |
| 19 | | Rotary sensor (refer to 108.1) | 1 |
| 20 | | Platform control box assembly (refer to 304.1) | 1 |
| 21 | | Hydraulic power unit (refer to 105.1) | 1 |
| 22 | | Coil (refer to 401.1) | 1 |
| 23 | | Beacon (refer to 108.1) | 1 |
| 24 | | Pressure sensor (refer to 401.1) | 1 |
| 25 | | Relay (refer to 106.1) | 1 |
| 26 | | Left motor (refer to 102.1) | 1 |
| 27 | | Right motor (refer to 102.1) | 1 |
| 28 | | Motor controller (refer to 106.1) | 1 |
| 29 | | Motor (refer to 105.1) | 1 |

501.1 Electrical Harness

| Item | Part No. | Description | Qty. |
|-------------|-----------------|-------------------------------------|-------------|
| 30 | | DC Contactor (refer to 106.1) | 1 |
| 31 | | 200A Fuse assembly (refer to 106.1) | 1 |
| 32 | | Power switch (refer to 104.1) | 1 |
| 33 | | Battery (refer to 104.1) | 2 |
| 34 | | Charger (refer to 104.1) | 1 |

502.1 Power to Platform

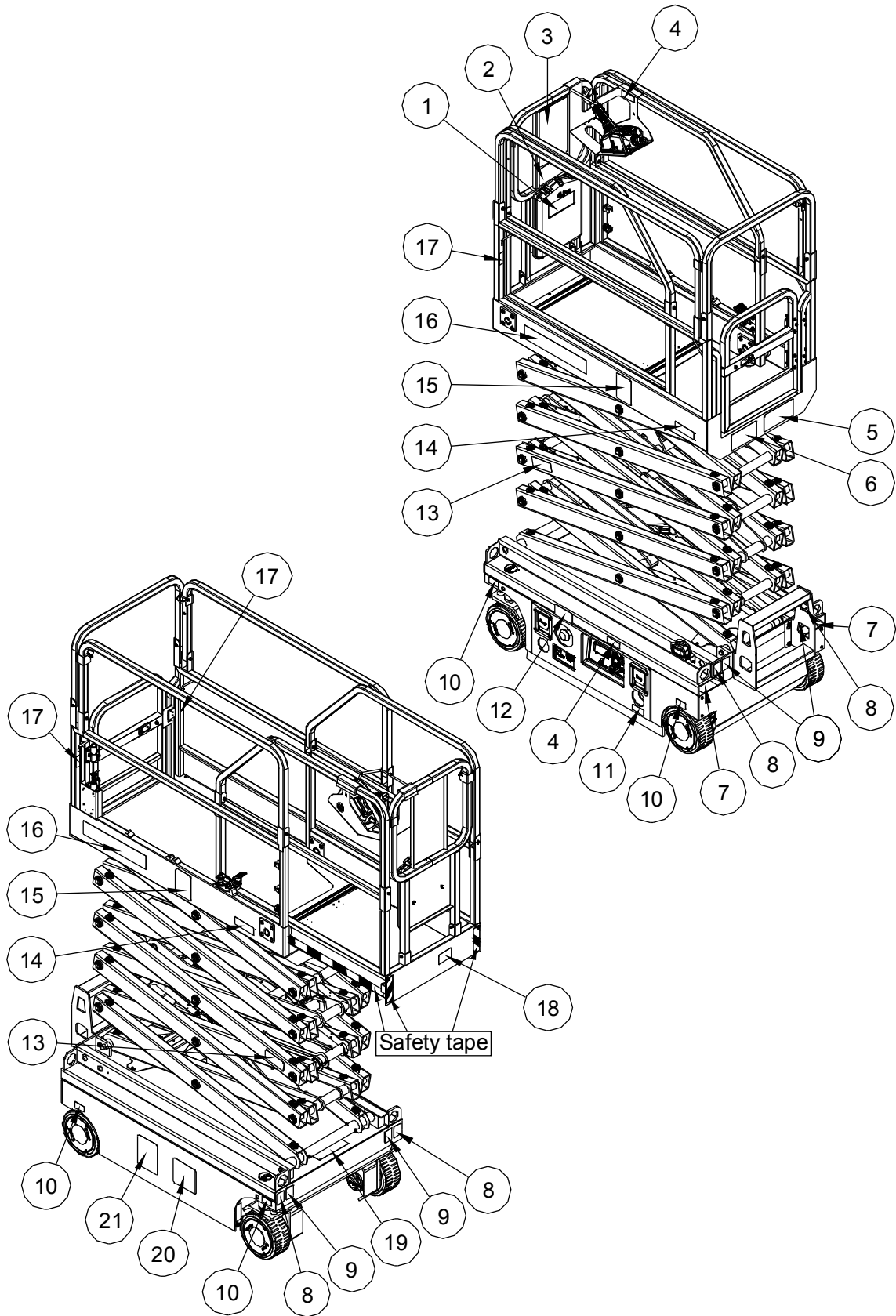


502.1 Power to Platform

| Item | Part No. | Description | Qty. |
|------|----------|-------------------------------|------|
| 1 | 00003148 | AC plug (China 220V) | 1 |
| | 00003149 | AC plug (USA 110V) | 1 |
| | 00003151 | AC plug (European 220V) | 1 |
| | 00003150 | AC plug (UK 220V) | 1 |
| | 00002615 | AC plug (UK 110V) | 1 |
| 2 | 00003147 | AC plug (Australia 220V) | 1 |
| 3 | 00002634 | Circuit breaker (Option) | 1 |
| 4 | 00003335 | Wire cable, platform AC power | 1 |
| 5 | 00002617 | AC socket (Australia) | 1 |
| | 00002709 | AC socket (European) | 1 |
| | 00000668 | AC socket (China/UK/USA) | 1 |

Section 6 Decal

601.1 Decal




601.1 Decal


| Item | Part No. | Description | Qty. |
|-------------|-----------------|--|-------------|
| 1 | 09340001 | Decal, Notice-Keep the manual with the machine | 1 |
| 2 | 09440003 | Decal, Danger-Tip-over hazard, tilt-alarm | 1 |
| 3 | 09440001 | Decal, Danger-General safety rules | 1 |
| 4 | 09340003 | Decal, Instructions-Refer the operator to the instructions for use | 2 |
| 5 | 09440014 | Decal, Label-Capacity 230kg | 1 |
| 6 | 09440005 | Decal, Warning-Use indoors only | 1 |
| 7 | 09310001 | Decal, Instructions-Forklift pockets | 2 |
| 8 | 09310003 | Decal, Instructions-Tie down point | 4 |
| 9 | 09310002 | Decal, Instructions-Lift point | 4 |
| 10 | 09310031 | Decal, Instructions-Maximum wheel load 570kg | 4 |
| 11 | 09310004 | Decal, Instructions-Emergency lower | 1 |
| 12 | 09310034 | Decal, Notice-Main power switch operation | 1 |
| 13 | 09330001 | Decal, Instructions-Safety arm | 2 |
| 14 | 09640065 | Decal, Cosmetic-S056-RS | 2 |
| 15 | 09440007 | Decal, Caution-Max. manual force 400N | 2 |
| 16 | 09940003 | Decal, Label-E-Tech | 2 |
| 17 | 09440011 | Decal, Label-Lanyard anchorage point | 3 |
| 18 | 09540001 | Decal, Label-CE | 1 |
| 19 | 09210015 | Nameplate, Manufacturer serial number | 1 |
| 20 | 09410001 | Decal, Danger-Explosion/burn hazard | 1 |
| 21 | 09410003 | Decal, Warning-Inspected and operation properly | 1 |

601.1 Decal

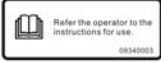
① 09340001




② 09440003



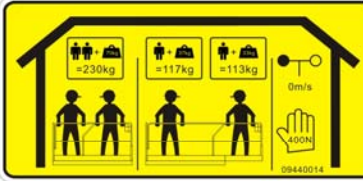
④ 09340003




③ 09440001




⑤ 09440014




⑦ 09310001




⑥ 09440005




⑧ 09310003




⑩ 09310031




⑪ 09310004



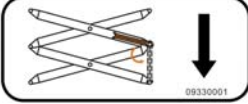
⑨ 09310002



⑫ 09310034




⑬ 09330001




⑭ 09640065

S056-RS


⑮ 09440007




⑯ 09210015




⑰ 09440011




⑱ 09540001




⑲ 09410001



⑳ 09410003



㉑ 09410001



⑱ 09940003

E-Tech

⑱ 09540001

