

SELF-PROPELLED ROUGH-TERRAIN SCISSOR LIFTS

PARTS MANUAL

(For SC1018-AWD / SC1218-AWD)



WARNING

THE MANUFACTURER SHALL NOT BE HELD LIABLE IN CASE OF FAULTS OR ACCIDENTS DUE TO NEGLIGENCE, INCAPACITY, INSTALLATION BY UNQUALIFIED TECHNICIANS AND IMPROPER USE OF THE MACHINE

DO NOT OPERATE THIS MACHINE UNTIL YOU READ AND UNDERSTAND ALL THE DANGERS, WARNINGS AND CAUTIONS IN THIS MANUAL

Part Number: SM0118211A_Rev1.0



Zhejiang Dingli Machinery Co., Ltd.

First Edition, August 2018 Printing

Table of Contents

Section 1 Chassis

101.1	Steer Axle Assembly Installation.....	2
102.1	Steer Axle Assembly	4
103.1	Non-Steer Axle Assembly Installation	7
104.1	Left Rear Wheel Assembly	9
105.1	Right Rear Wheel Assembly.....	11
106.1	Rear Motor Assembly.....	13
107.1	Hydraulic Tray Installation.....	14
108.1	Hydraulic Tray Door Installation.....	16
109.1	Hydraulic Tray Assembly	18
110.1	Function Manifold Assembly	21
111.1	Ground Control Box Assembly.....	23
112.1	Hydraulic Tank Assembly.....	25
113.1	Drive Manifold Assembly	28
114.1	Fuel Tank Assembly	30
115.1	Engine Tray Installation.....	32
116.1	Engine Tray Door Installation.....	34
117.1	Engine Tray Assembly	36
118.1	Radiator Shroud Assembly	39
119.1	Cooling System Installation	41
120.1	Cooling System Assembly.....	42
121.1	Intake System and Exhaust System.....	44
122.1	Engine Assembly	46
123.1	Fuel System Assembly	49
124.1	Outriggers and Ladder Installation	50
125.1	Outrigger Assembly (Option).....	52
126.1	Chassis Accessory Installation.....	54
127.1	Electrical Accessory Assembly	56

Section 2 Scissor

201.1	Scissor Assembly (SC1018-AWD).....	58
202.1	Scissor Assembly (SC1218-AWD).....	61
203.1	Slider Assembly	65
204.1	Hose Clamp Assembly	66
205.1	Hose Clamp Assembly (SC1218-AWD).....	67

Section 3 Platform

301.1	Main Platform Assembly	69
302.1	Support Roller Assembly	72
303.1	Side Roller Assembly	73
304.1	Platform Extension Assembly	74
305.1	Platform Locking Device Assembly	77
306.1	Roller Assembly	79
307.1	Platform Control Box Assembly	80

Section 4 Hydraulic System

401.1	Lower Lift Cylinder Assembly	82
402.1	Upper Lift Cylinder Assembly (SC1218-AWD).....	84
403.1	Left Oscillate Cylinder Assembly	86
404.1	Right Oscillate Cylinder Assembly	87
405.1	Steer Cylinder Assembly	88
406.1	Outrigger Cylinder Assembly (Option).....	89
407.1	Function Manifold	91
408.1	Drive Manifold	93
409.1	Hydraulic Hoses and Fittings-Drive	95
410.1	Hydraulic Hoses and Fittings-Function (SC1018-AWD).....	97
411.1	Hydraulic Hoses and Fittings-Function (SC1218-AWD).....	99
412.1	Hydraulic Hoses and Fittings-Outrigger	102

Section 5 Electrical System

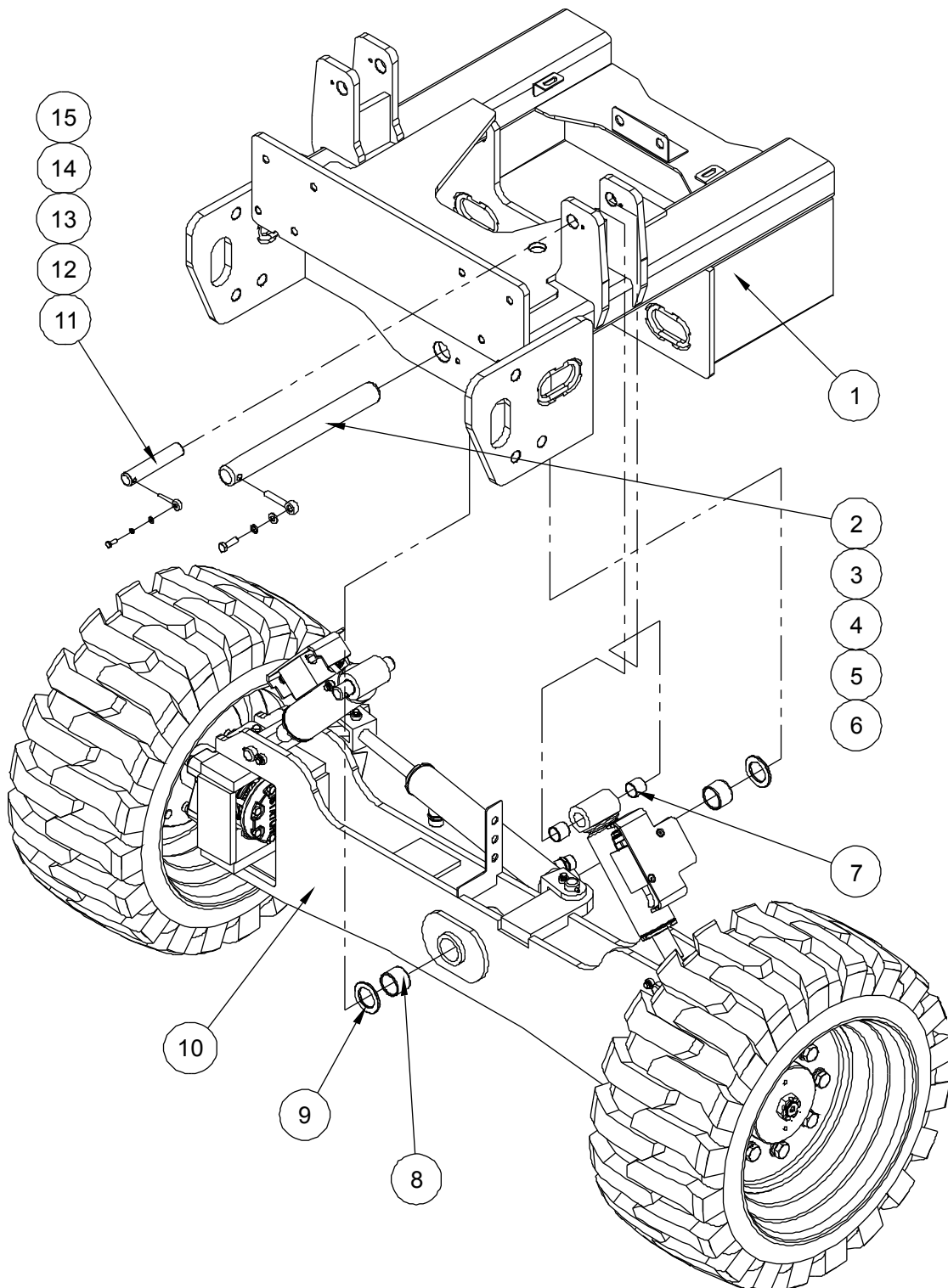
501.1	Electrical Harness (SC1018-AWD)	105
502.1	Electrical Harness (SC1218-AWD)	109
503.1	Power to Platform.....	113

Section 6 Decal

601.1	Decal.....	116
-------	------------	-----

Section 1 Chassis

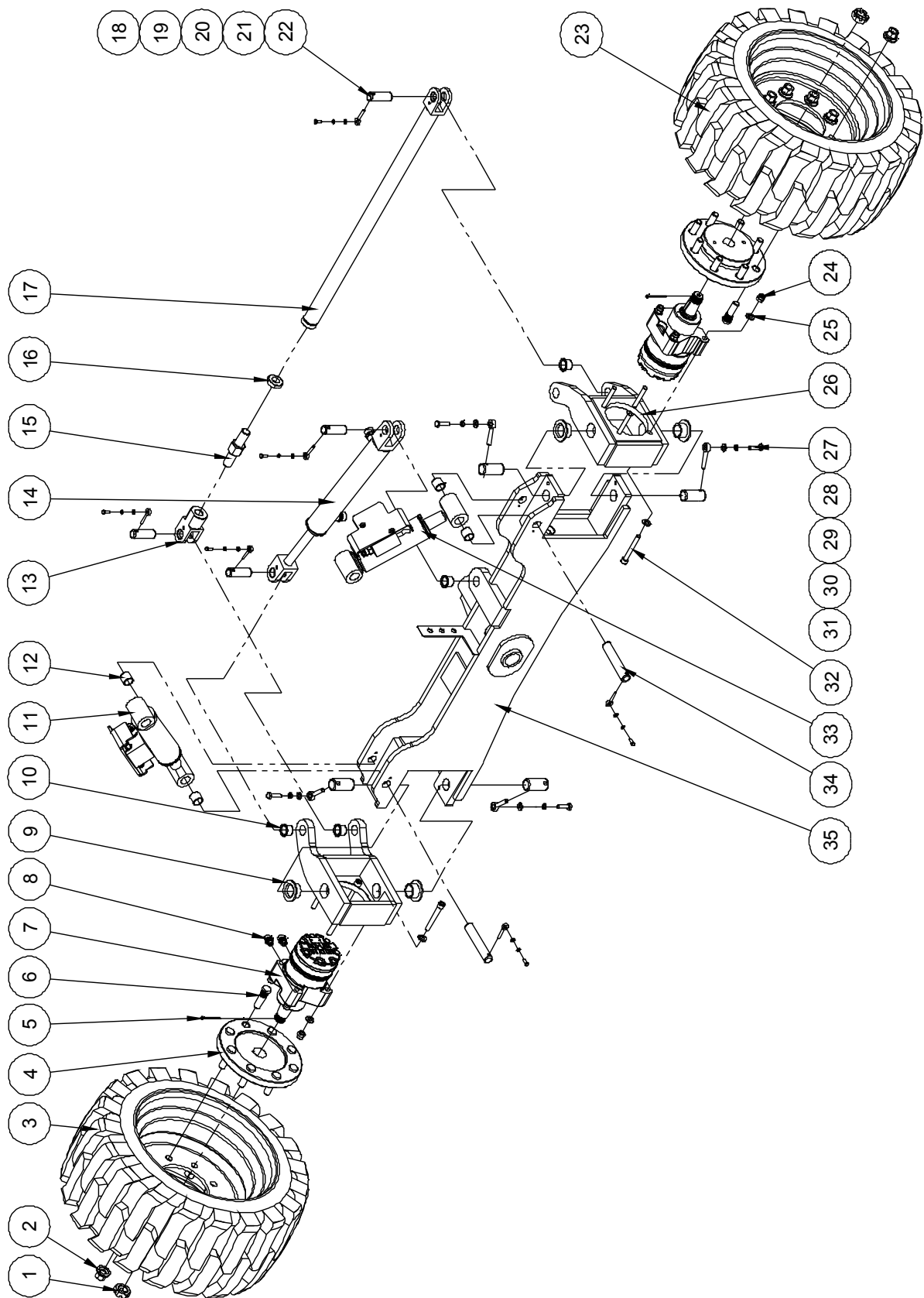
101.1 Steer Axle Assembly Installation



101.1 Steer Axle Assembly Installation

Item	Part No.	Description	Qty.
1	10002491	Frame weldment	1
2	00003611	895-38.1×355 Pin	1
3	00000220	8902-10080 Pin	1
4	00000679	Washer GB/T 93 10	1
5	00000615	Washer GB/T 97.1 10	1
6	00000683	Bolt GB/T 5783 M10×30	1
7	00000369	8812-252825 Bearing	4
8	00000438	8813-38.1×44.45×31.75 Bearing	2
9	10002533	Washer	4
10		Steer axle assembly (refer to 102.1)	1
11	00000583	895-25125 Pin	2
12	00000217	8902-06045 Pin	2
13	00000620	Washer GB/T 97.1 6	2
14	00000621	Washer GB/T 93 6	2
15	00000818	Bolt GB/T 5783 M6×16	2

102.1 Steer Axle Assembly



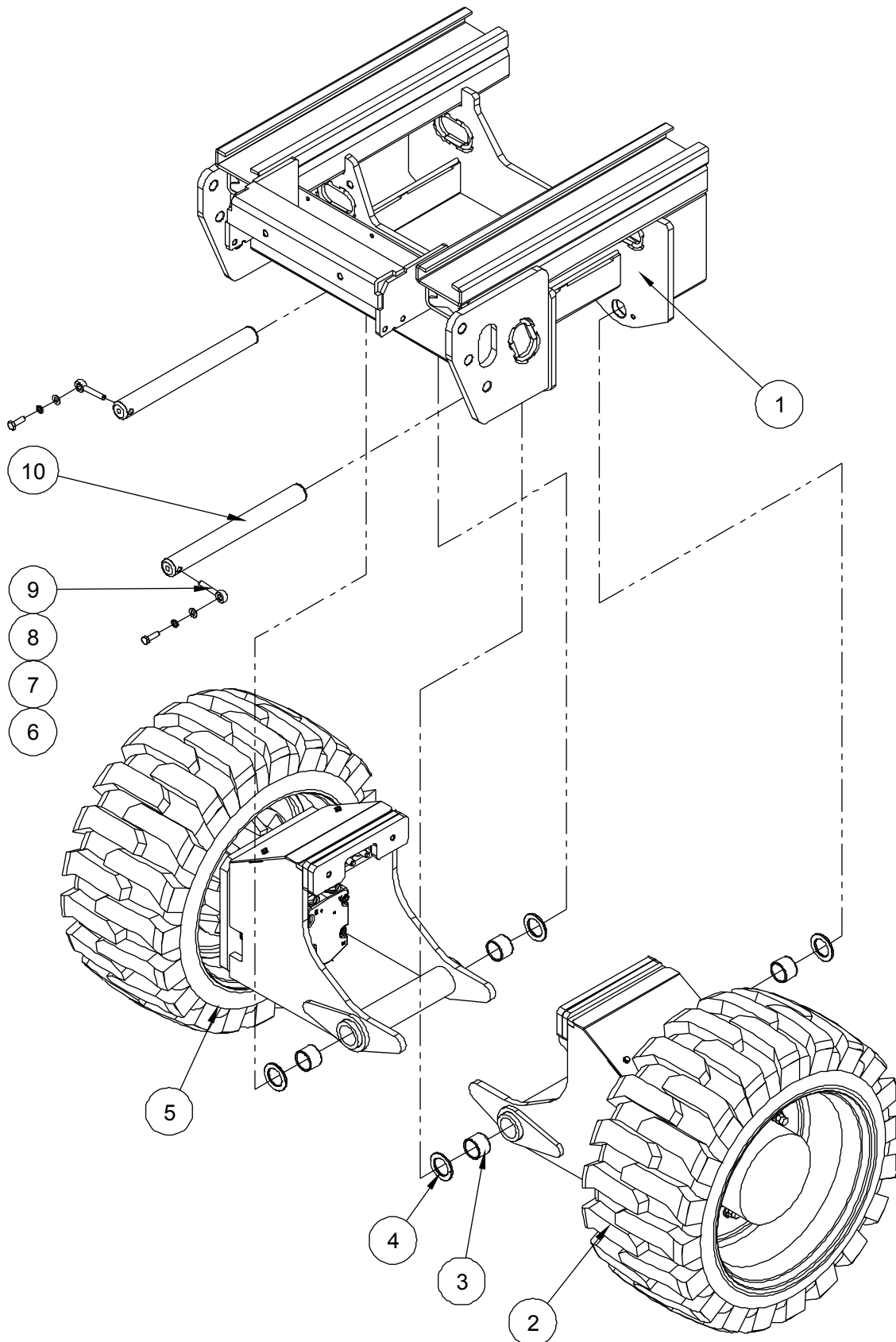
102.1 Steer Axle Assembly

Item	Part No.	Description	Qty.
1	00004589	Nut 1 1/8-18UNEF	2
2	00003609	M18×1.5 Nut	16
3	10002555	Wheel	1
4	10002551	Adapter	2
5	00004590	Cotter pin GB/T 91 4×56	2
6	10002552	Bolt	16
7	00000533	Motor	2
8	00001772	Straight fitting	4
9	00003608	8821-3225 Bearing	4
10	00000233	8822-25215 Bearing	4
11		Right oscillate cylinder assembly (without seal kit) (refer to 404.1)	1
12	00000369	8812-252825 Bearing	4
13	10002546	Clevis yoke	1
14		Steer cylinder assembly (without seal kit) (refer to 405.1)	1
15	10002547	Adjusting screw	1
16	10002548	Nut M24×1.5	1
17	10002545	Tie rod weldment	1
18	00000580	895-25062 Pin	4
19	00000217	8902-06045 Pin	6
20	00000621	Washer GB/T 93 6	6
21	00000620	Washer GB/T 97.1 6	6
22	00000818	Bolt GB/T 5783 M6×16	6
23	10002554	Wheel	1
24	00001249	Nut GB/T 6182 M12	8
25	00000814	Washer GB/T 97.1 12	16
26	10002538	Steer yoke weldment	2
27	00000684	Bolt GB/T 5783 M10×35	4
28	00000679	Washer GB/T 93 10	4

102.1 Steer Axle Assembly

Item	Part No.	Description	Qty.
29	00000615	Washer GB/T 97.1 10	4
30	00000219	8902-10060 Pin	4
31	00004756	895-32055 Pin	4
32	00002182	Screw GB/T 70.1 M12×90	8
33		Left oscillate cylinder assembly (without seal kit) (refer to 403.1)	1
34	00000583	895-25125 Pin	4
35	10002529	Steer axle weldment	1

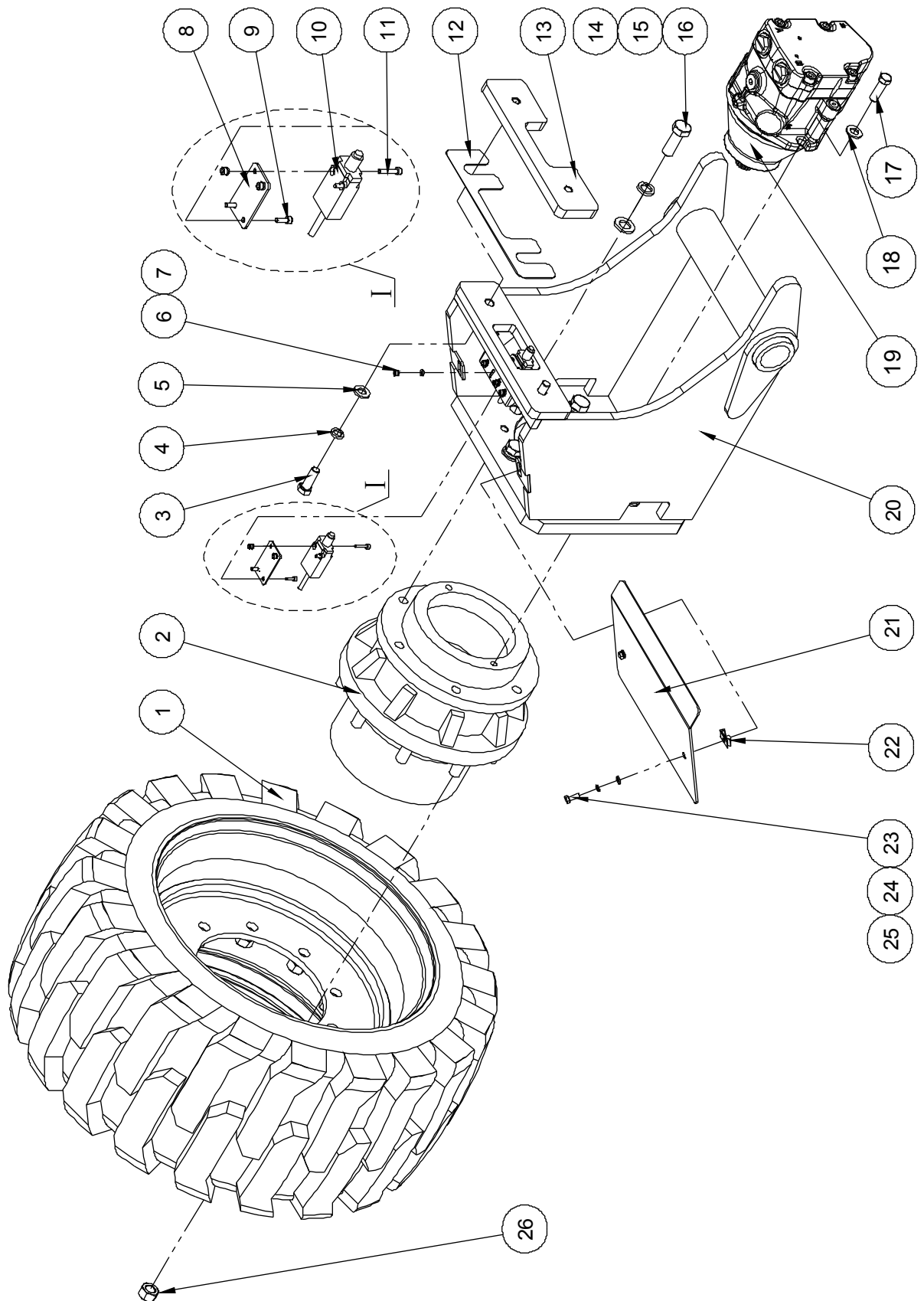
103.1 Non-Steer Axle Assembly Installation



103.1 Non-Steer Axle Assembly Installation

Item	Part No.	Description	Qty.
1	10002491	Frame weldment	1
2		Right rear wheel assembly (refer to 105.1)	1
3	00000438	8813-38.1×44.45×31.75 Bearing	4
4	10002533	Washer	4
5		Left rear wheel assembly (refer to 104.1)	1
6	00000220	8902-10080 Pin	2
7	00000615	Washer GB/T 97.1 10	2
8	00000679	Washer GB/T 93 10	2
9	00000683	Bolt GB/T 5783 M10×30	2
10	00003612	895-38.1×360 Pin	2

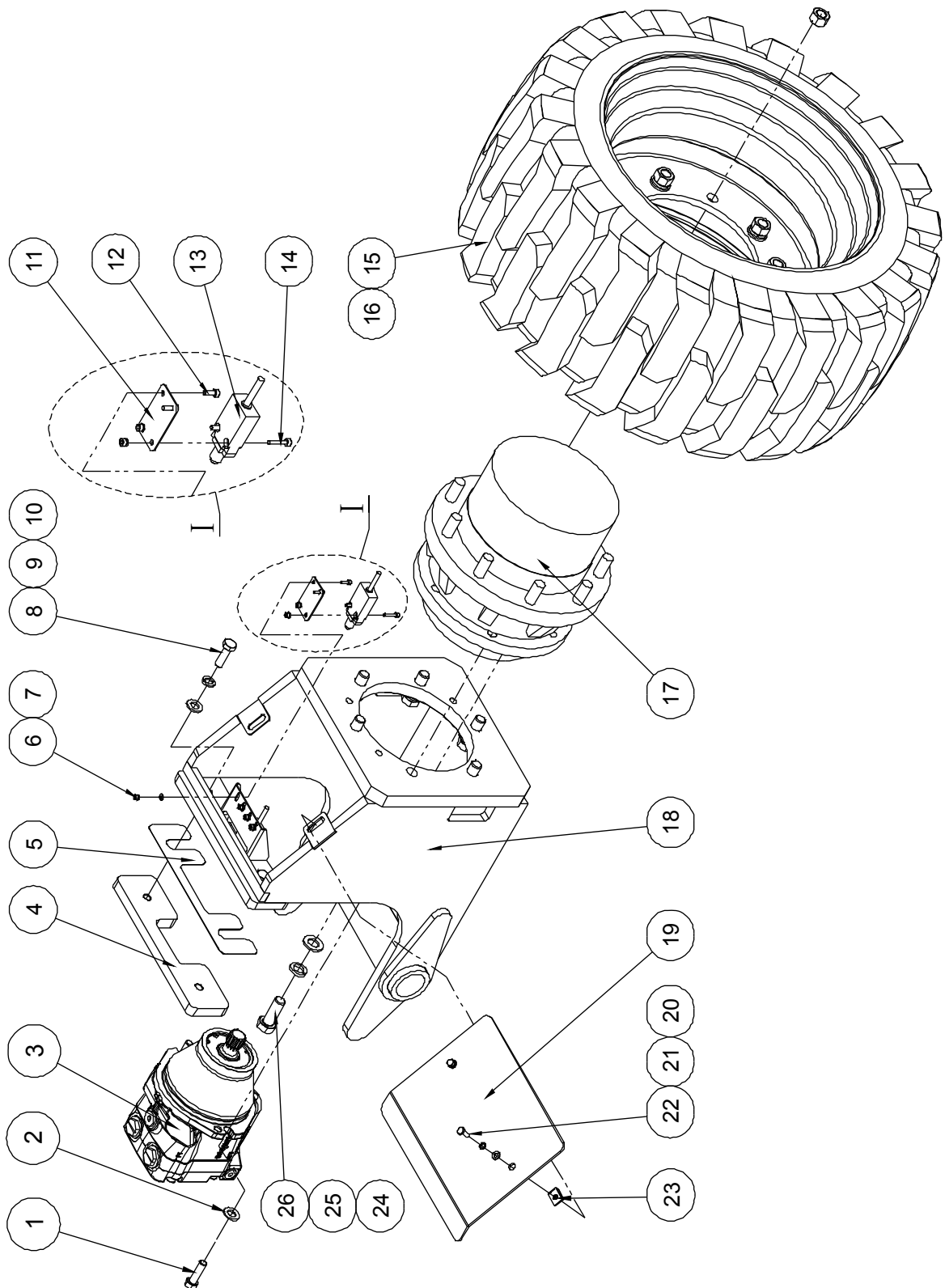
104.1 Left Rear Wheel Assembly



104.1 Left Rear Wheel Assembly

Item	Part No.	Description	Qty.
1	10002574	Wheel	1
2	00003957	Drive hub	1
3	00002046	Bolt GB/T 5783 M12×35	2
4	00000815	Washer GB/T 93 12	2
5	00000814	Washer GB/T 97.1 12	2
6	00001236	Nut GB/T 889.1 M4	8
7	00000778	Washer GB/T 97.1 4	8
8	10002571	Switch plate	2
9	00000604	Screw GB/T 70.1 M4×16	4
10	00003549	Limit switch	2
11	00002228	Screw GB/T 70.1 M4×25	4
12	10002573	Adjusting plate	1
13	10002572	Bumper	1
14	00000997	Washer GB/T 97.1 16	6
15	00001035	Washer GB/T 93 16	6
16	00003103	5/8-11×1 3/4" Bolt ANSI B18.2.1	6
17	00003115	7/16-14×1 1/2" Bolt ANSI B18.2.1	2
18	10002531	Washer	2
19		Rear motor assembly (refer to 106.1)	1
20	10002568	Rear motor housing weldment	1
21	10002570	Cover	1
22	50000112	Nut	2
23	00000743	Bolt GB/T 5783 M6×20	2
24	00000621	Washer GB/T 93 6	2
25	00000620	Washer GB/T 97.1 6	2
26	00002274	5/8-18UNF Nut	9

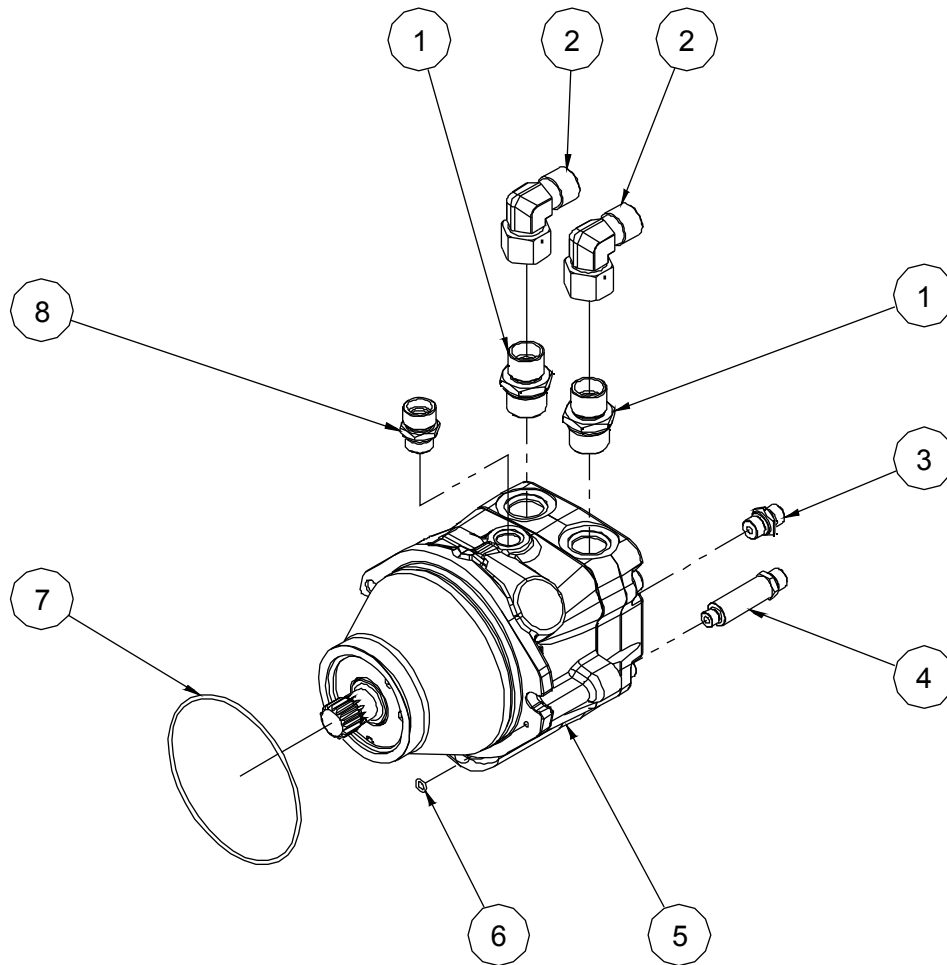
105.1 Right Rear Wheel Assembly



105.1 Right Rear Wheel Assembly

Item	Part No.	Description	Qty.
1	00003115	7/16-14×1 1/2" Bolt ANSI B18.2.1	2
2	10002531	Washer	2
3		Rear motor assembly (refer to 106.1)	1
4	10002572	Bumper	1
5	10002573	Adjusting plate	1
6	00001236	Nut GB/T 889.1 M4	8
7	00000778	Washer GB/T 97.1 4	8
8	00002046	Bolt GB/T 5783 M12×35	2
9	00000815	Washer GB/T 93 12	2
10	00000814	Washer GB/T 97.1 12	2
11	10002571	Switch plate	2
12	00000604	Screw GB/T 70.1 M4×16	4
13	00003549	Limit switch	2
14	00002228	Screw GB/T 70.1 M4×25	4
15	10002575	Wheel	1
16	00002274	5/8-18UNF Nut	9
17	00003957	Drive hub	1
18	10002568	Rear motor housing weldment	1
19	10002570	Cover	1
20	00000743	Bolt GB/T 5783 M6×20	2
21	00000621	Washer GB/T 93 6	2
22	00000620	Washer GB/T 97.1 6	2
23	50000112	Nut	2
24	00003103	5/8-11×1 3/4" Bolt ANSI B18.2.1	6
25	00001035	Washer GB/T 93 16	6
26	00000997	Washer GB/T 97.1 16	6

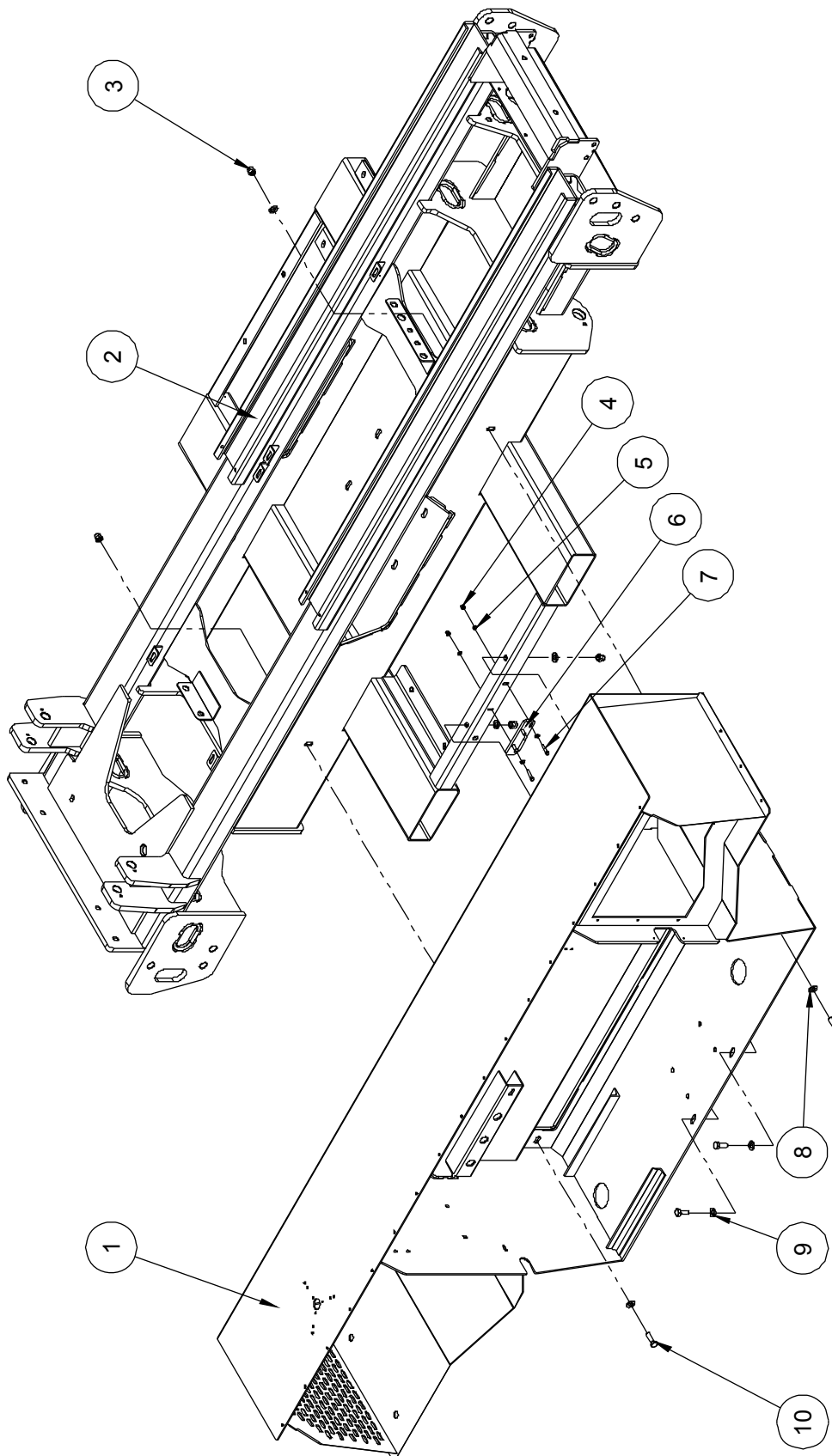
106.1 Rear Motor Assembly



106.1 Rear Motor Assembly

Item	Part No.	Description	Qty.
1	00002073	Straight fitting	2
2	00001841	Elbow	2
3	00002072	Straight fitting	1
4	00003585	Straight fitting	1
5	00003277	Motor	1
6	00001387	O-ring GB1235-76 10×1.9	1
7	00001542	O-ring As568A 120.32×2.62	1
8	00001775	Straight fitting	1

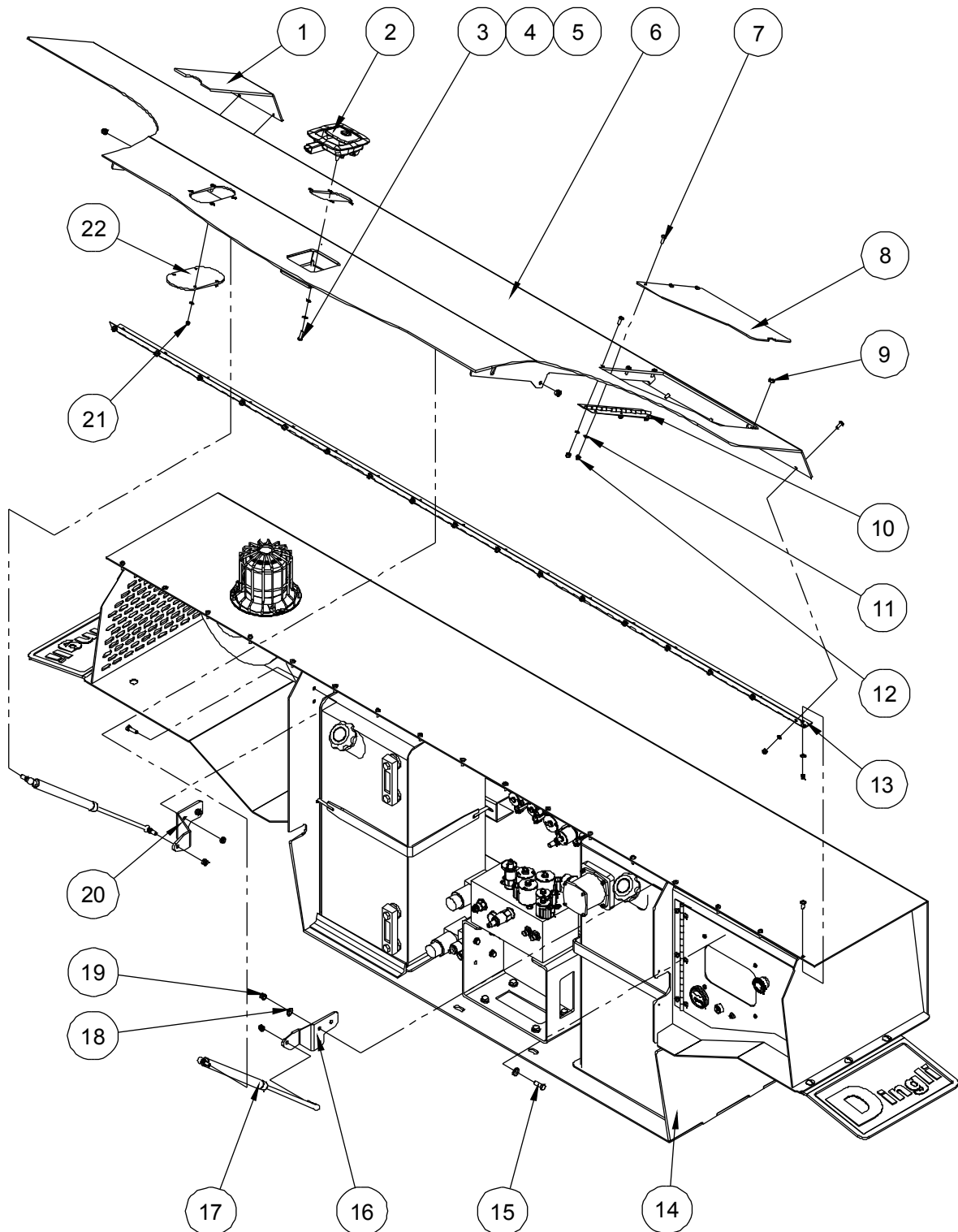
107.1 Hydraulic Tray Installation



107.1 Hydraulic Tray Installation

Item	Part No.	Description	Qty.
1	10002636	Hydraulic tray weldment	1
2	10002491	Frame weldment	1
3	00001249	Nut GB/T 6182 M12	4
4	00001033	Nut GB/T 6182 M6	2
5	00002583	Washer GB/T 96.1 6	4
6	10002593	Lock clasp	1
7	00000775	Bolt GB/T 5783 M6×30	2
8	00002601	Washer GB/T 96.1 12	6
9	00000814	Washer GB/T 97.1 12	2
10	00002046	Bolt GB/T 5783 M12×35	4

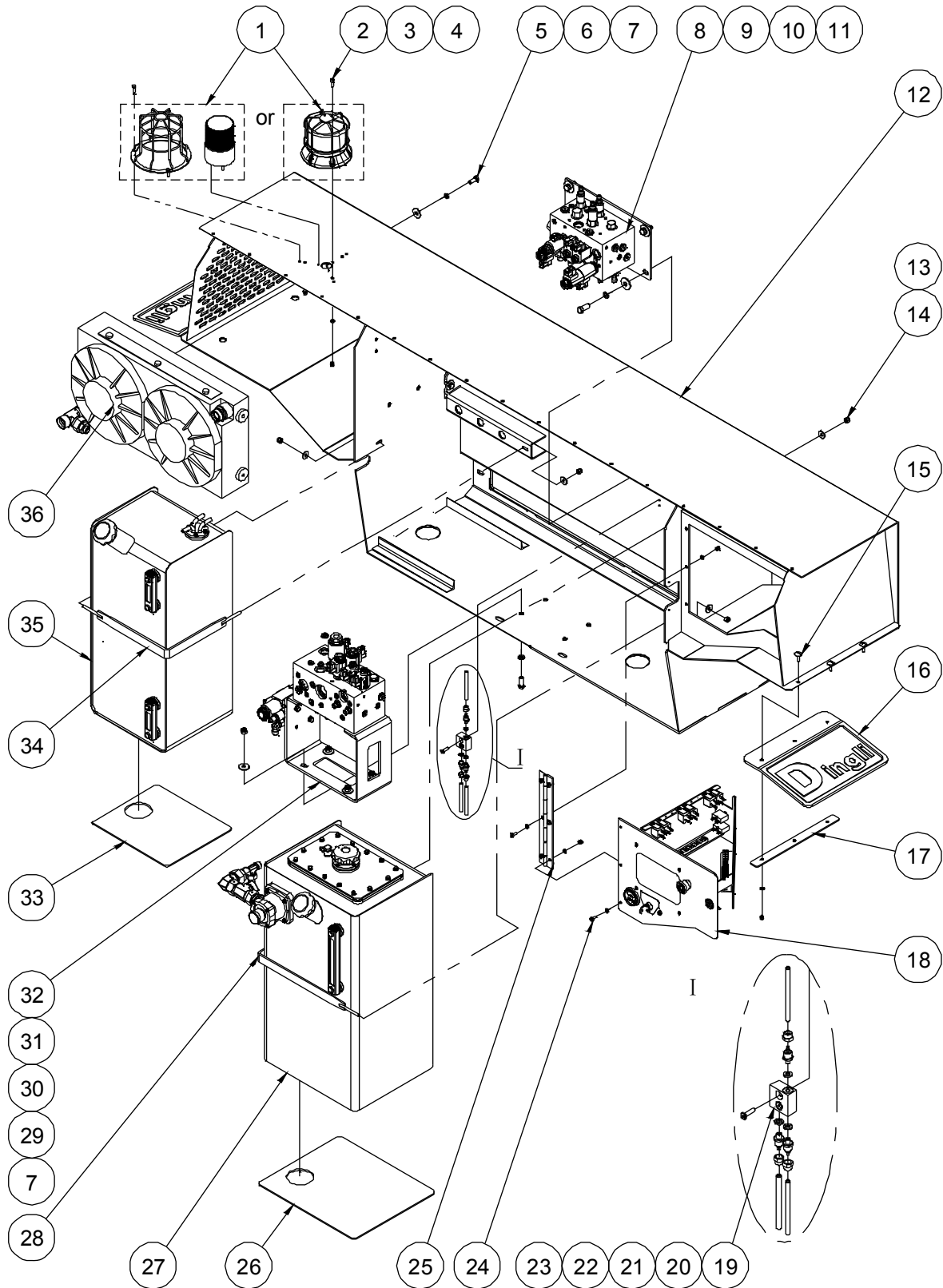
108.1 Hydraulic Tray Door Installation



108.1 Hydraulic Tray Door Installation

Item	Part No.	Description	Qty.
1	10000171	Fuel tank door	1
2	10002798	Latch	1
3	00000612	Screw GB/T 818 M5×20 - H	4
4	00000606	Washer GB/T 93 5	4
5	00000605	Washer GB/T 97.1 5	4
6	10002641	Left door	1
7	00001986	Screw GB/T 818 M6×16 - H	41
8	10002645	Control door plate	1
9	10002550	Magnet	2
10	10002660	Hinge	1
11	00000620	Washer GB/T 97.1 6	41
12	00001033	Nut GB/T 6182 M6	41
13	10002657	Hinge	1
14		Hydraulic tray assembly (refer to 109.1)	1
15	10002647	Gas shock bracket	1
16	00000993	Bolt GB/T 5783 M8×25	6
17	10002659	Gas shock	2
18	00000608	Washer GB/T 97.1 8	12
19	00001163	Nut GB/T 6182 M8	10
20	10002648	Gas shock bracket	1
21	00000613	Nut GB/T 6182 M5	8
22	10002656	PC plate	2

109.1 Hydraulic Tray Assembly



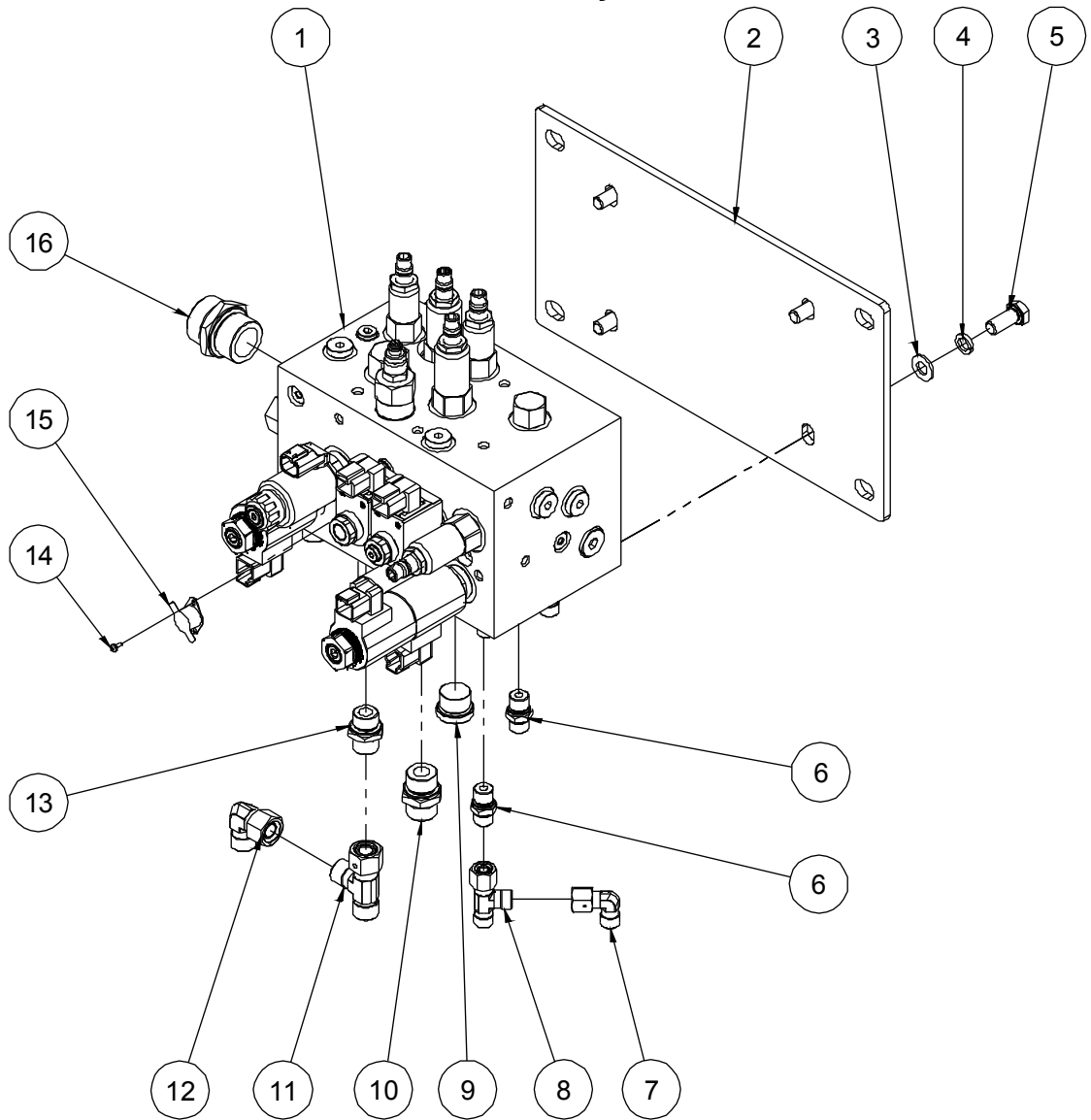
109.1 Hydraulic Tray Assembly

Item	Part No.	Description	Qty.
1	00004757	Beacon	1
	00004594	Beacon (revolving light) (with beacon cover 50000185)	1
2	00000774	Screw GB/T 70.1 M6×20	3
3	00000620	Washer GB/T 97.1 6	21
4	00001033	Nut GB/T 6182 M6	15
5	00000678	Bolt GB/T 5783 M10×25	12
6	00000679	Washer GB/T 93 10	12
7	00001028	Washer GB/T 96.1 10	12
8		Function manifold assembly (refer to 110.1)	1
9	00002601	Washer GB/T 96.1 12	4
10	00000815	Washer GB/T 93 12	4
11	00002059	Bolt GB/T 5783 M12×30	4
12	10002636	Hydraulic tray weldment	1
13	00002000	Washer GB/T 96.1 8	4
14	00001163	Nut GB/T 6182 M8	4
15	10000064	Screw	6
16	10002643	Mudguard	2
17	10002644	Mudguard mount plate	2
18		Ground control box assembly (refer to 111.1)	1
19	10000425	Hydraulic hoses manifolds (SC1218-AWD)	1
20	00000832	Screw GB/T 70.3 M6×25 (SC1218-AWD)	2
21	10001554	Hose (SC1218-AWD) (to hydraulic tank)	1
22	10001156	Hose (SC1218-AWD) (to upper lift cylinder)	1
23	10000053	Hose (SC1218-AWD) (to lower lift cylinder)	1
24	00001986	Screw GB/T 818 M6×16 - H	6
25	10002662	Hinge	1
26	10002642	Rubber pad	1
27		Hydraulic tank assembly (refer to 112.1)	1
28	10002761	Tank strap	1

109.1 Hydraulic Tray Assembly

Item	Part No.	Description	Qty.
29	00000683	Bolt GB/T 5783 M10×30	4
30	00000615	Washer GB/T 97.1 10	8
31	00000623	Nut GB/T 6182 M10	4
32		Drive manifold assembly (refer to 113.1)	1
33	10002649	Rubber pad	1
34	10002747	Tank strap	1
35		Fuel tank assembly (refer to 114.1)	1
36	00001874	Oil cooler	1

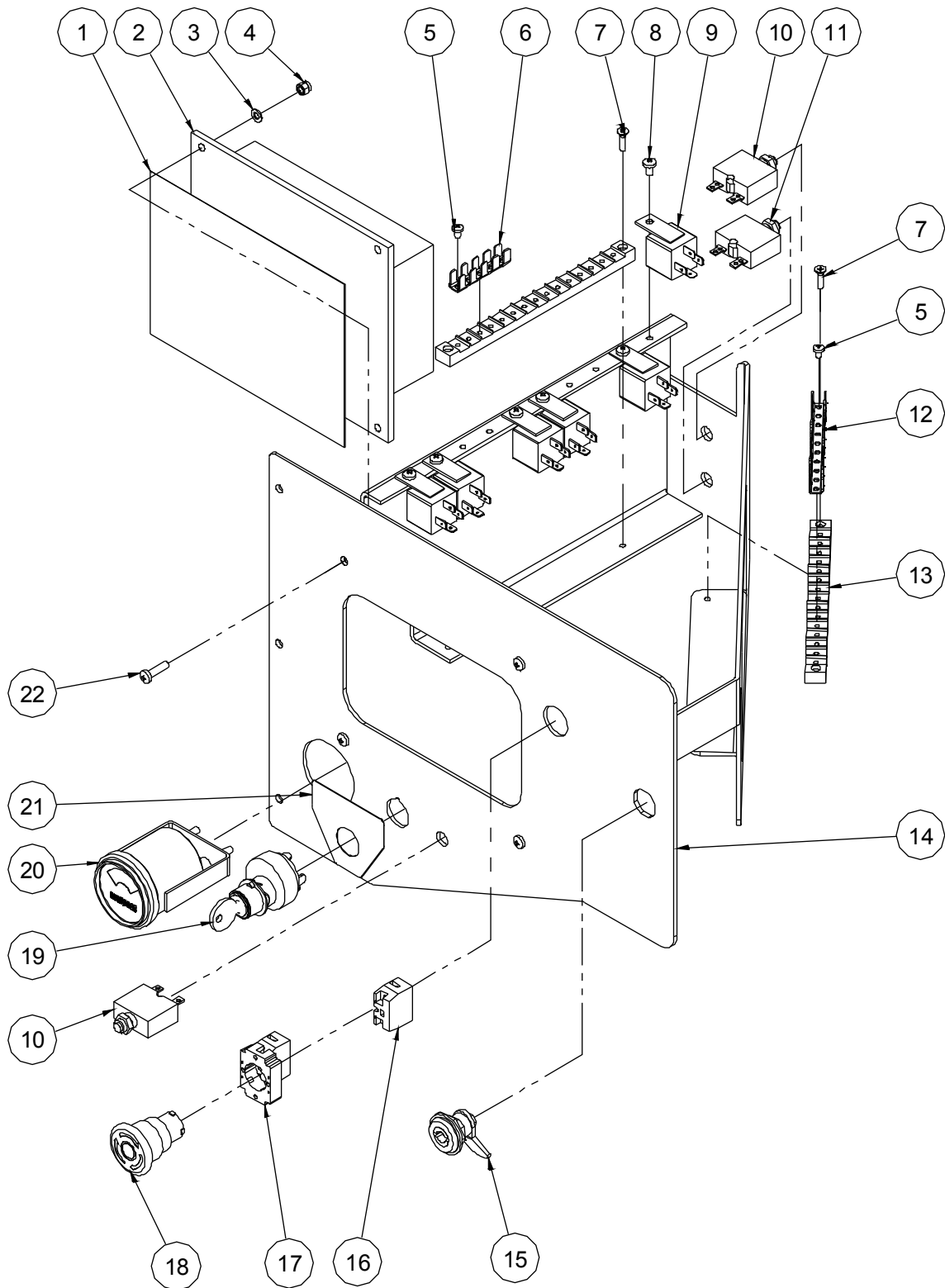
110.1 Function Manifold Assembly



110.1 Function Manifold Assembly

Item	Part No.	Description	Qty.
1	00003284	Function manifold (refer to 407.1)	1
2	10002758	Function manifold mount plate	1
3	00000615	Washer GB/T 97.1 10	4
4	00000679	Washer GB/T 93 10	4
5	00000678	Bolt GB/T 5783 M10×25	4
6	00001282	Straight fitting	4
7	00001832	Elbow	2
8	00001237	Tee fitting	2
9	00001077	Plug VSTI22×1.5ED	1
10	00001266	Straight fitting	2
11	00001239	Tee fitting	1
12	00001834	Elbow	1
13	00001262	Straight fitting	2
14	00003548	Screw GB/T 818 M3×6 - H	2
15	00003376	Temperature switch	1
16	00002071	Straight fitting	1

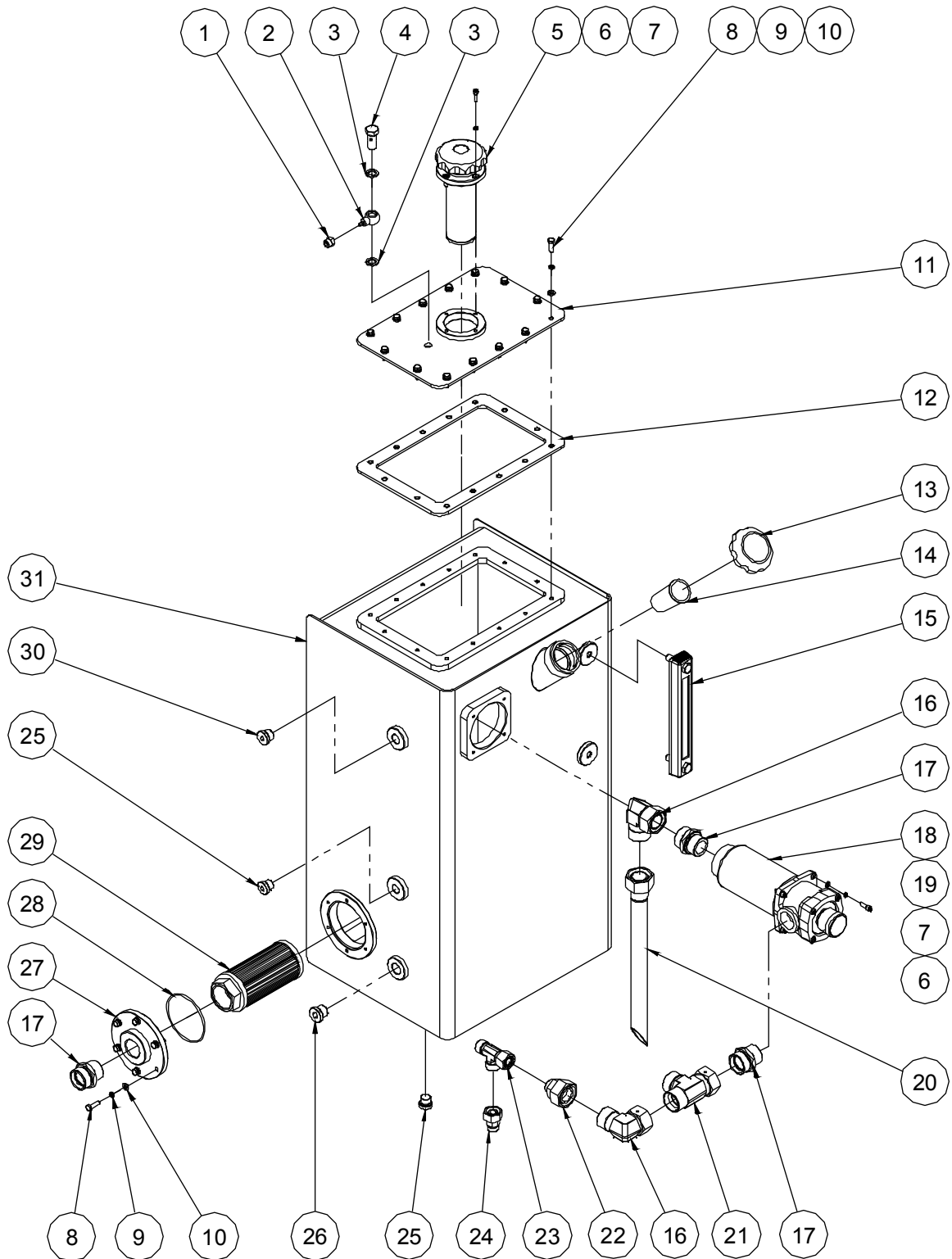
111.1 Ground Control Box Assembly



111.1 Ground Control Box Assembly

Item	Part No.	Description	Qty.
1	09110020	Decal, Ground control panel	1
2	00003711	Controller	1
3	00000605	Washer GB/T 97.1 5	4
4	00000613	Nut GB/T 6182 M5	4
5	00002032	Screw GB/T 818 M4×6 - H	4
6	00003850	Terminal strip 5	1
7	00002940	Screw GB/T 819 M4×16 - H	4
8	00002391	Screw GB/T 818 M5×8 - H	6
9	00002206	Relay	6
10	00002208	Circuit breaker	2
11	00004421	Circuit breaker	1
12	00003808	Terminal strip 10	1
13	00004420	Terminal strip base	2
14	10003474	Ground control box weldment	1
15	00001296	Latch, Column	1
16	00001245	NC contact	1
17	00000752	Base with 1 NC contact	1
18	00000754	Red mushroom head	1
19	00001243	Key switch	1
--	00003050	Key	1
20	00004428	Hour meter	1
21	09110018	Decal, Key switch panel	1
22	00000612	Screw GB/T 818 M5×20 - H	4

112.1 Hydraulic Tank Assembly



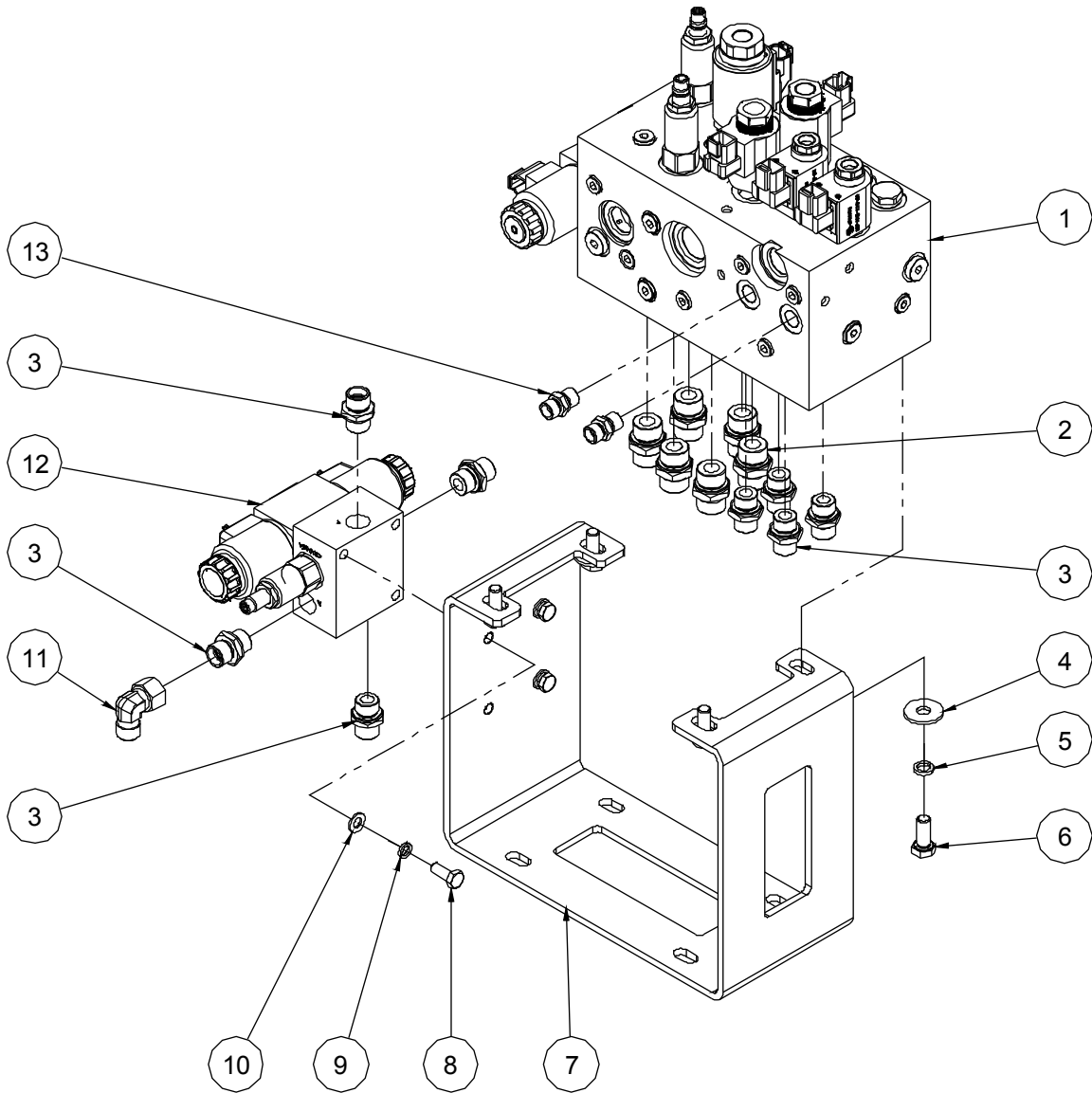
112.1 Hydraulic Tank Assembly

Item	Part No.	Description	Qty.
1	10000462	Nut	1
2	10000465	Fitting	1
3	00002518	Washer JB/T 982 13	2
4	10000464	Fitting	1
5	00000520	Air cleaner	1
6	00001246	Screw GB/T 70.1 M5×16	8
7	00000606	Washer GB/T 93 5	8
8	00000743	Bolt GB/T 5783 M6×20	20
9	00000621	Washer GB/T 93 6	20
10	00000620	Washer GB/T 97.1 6	20
11	10002878	Cover weldment	1
12	10002877	Rubber pad	1
13	00002153	Tank cover	1
14	00002154	Filter web	1
15	00001982	Level gauge	1
16	00001837	Elbow	2
17	00002071	Straight fitting	3
18	00003113	Return filter	1
--	00004416	Filter element	1
19	00000605	Washer GB/T 97.1 5	4
20	10000069	Pipe	1
21	00001242	Tee fitting	1
22	00003844	Straight fitting	1
23	00001240	Tee fitting	1
24	00003843	Straight fitting	1
25	00001074	Plug VST116×1.5ED	2
26	00001076	Plug VST120×1.5ED	1
27	50001437	Flange	1
28	00001536	O-ring As568A 82.22×2.62	1

112.1 Hydraulic Tank Assembly

Item	Part No.	Description	Qty.
29	00000519	Suction filter	1
30	00001075	Plug VSTI18×1.5ED	1
31	10002876	Hydraulic tank weldment	1

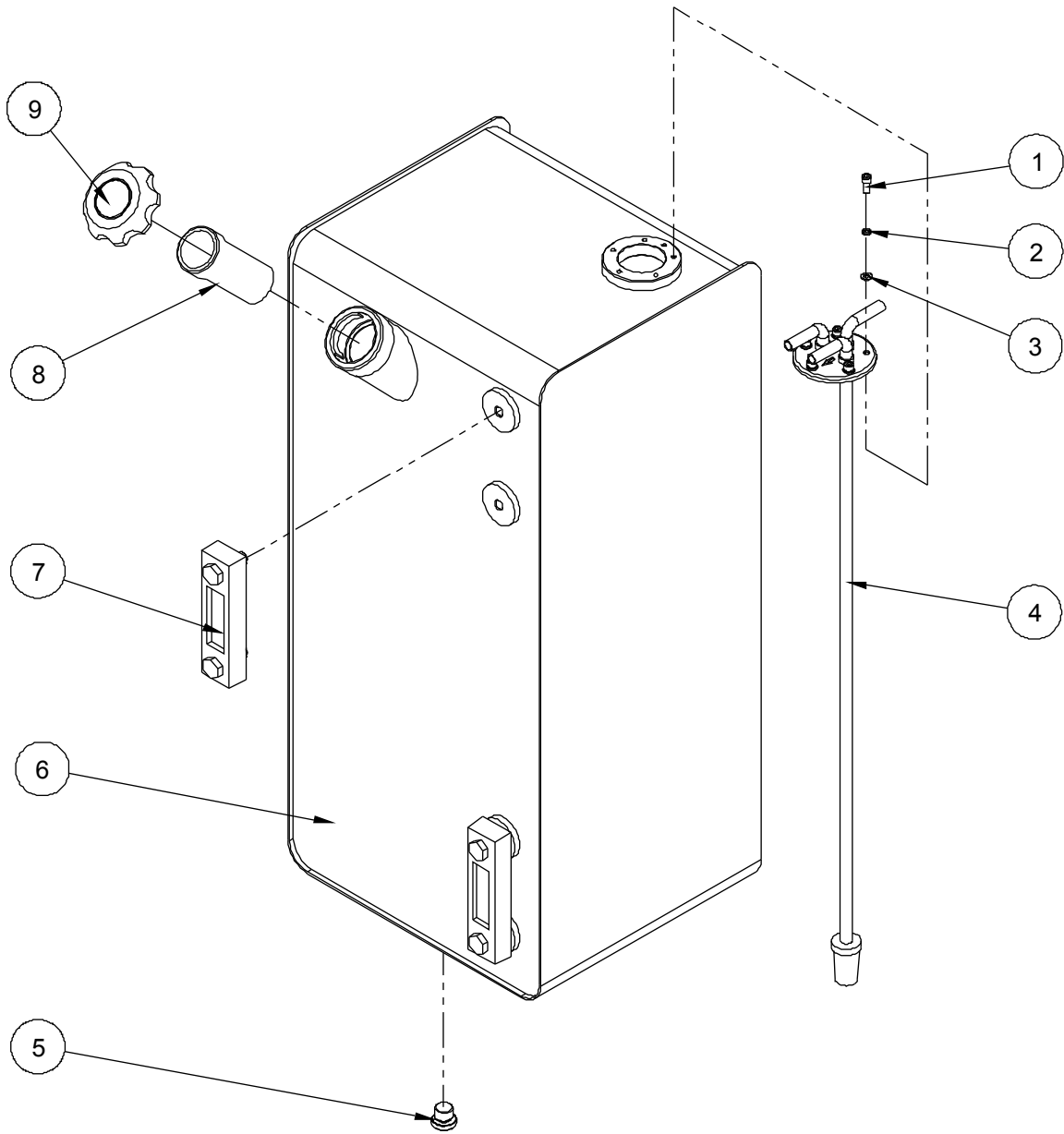
113.1 Drive Manifold Assembly



113.1 Drive Manifold Assembly

Item	Part No.	Description	Qty.
1	00003288	Drive manifold (refer to 408.1)	1
2	00001266	Straight fitting	6
3	00001262	Straight fitting	8
4	00001028	Washer GB/T 96.1 10	4
5	00000679	Washer GB/T 93 10	4
6	00000678	Bolt GB/T 5783 M10×25	4
7	10002759	Drive manifold bracket	1
8	00000875	Bolt GB/T 5783 M8×20	3
9	00000609	Washer GB/T 93 8	3
10	00000608	Washer GB/T 97.1 8	3
11	00001834	Elbow	1
12	00003366	Outrigger manifold	1
13	00001282	Straight fitting	2

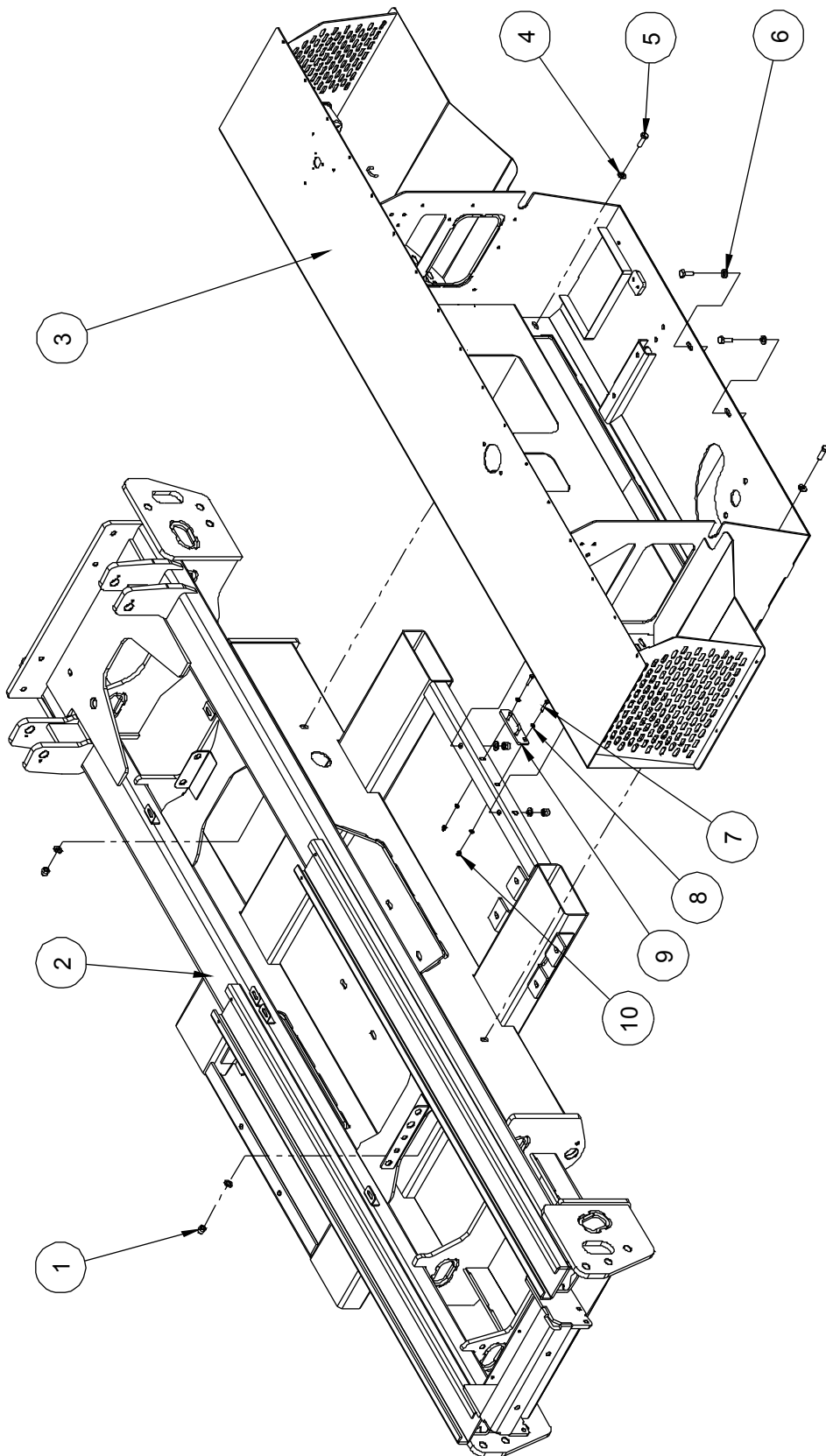
114.1 Fuel Tank Assembly



114.1 Fuel Tank Assembly

Item	Part No.	Description	Qty.
1	00001252	Screw GB/T 70.1 M5×12	5
2	00000606	Washer GB/T 93 5	5
3	00000605	Washer GB/T 97.1 5	5
4	10002756	Pipe	1
5	00001074	Plug VSTI16×1.5ED	1
6	10002755	Fuel tank weldment	1
7	00001873	Level gauge	2
8	00002154	Filter web	1
9	00002153	Tank cover	1

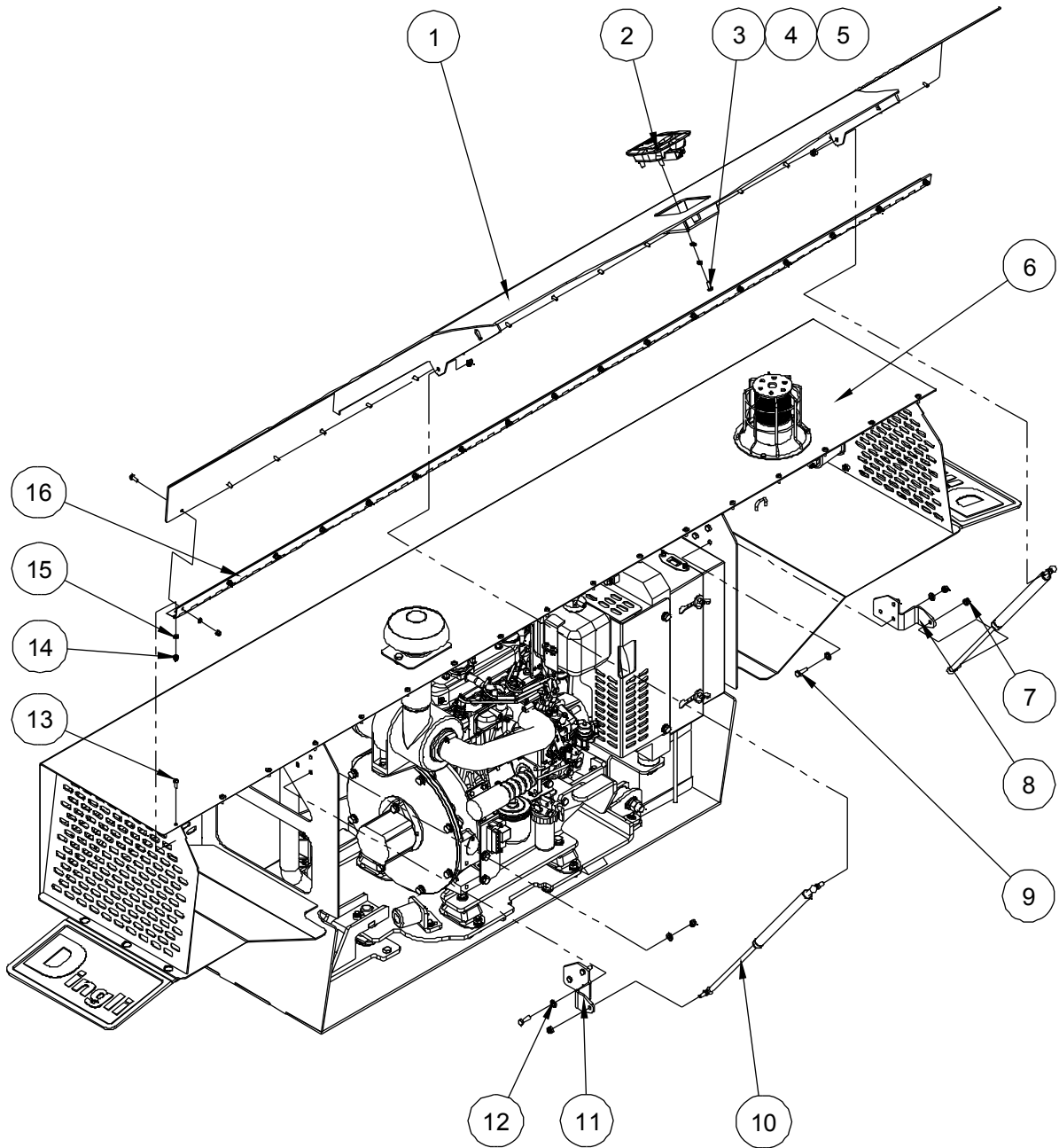
115.1 Engine Tray Installation



115.1 Engine Tray Installation

Item	Part No.	Description	Qty.
1	00001249	Nut GB/T 6182 M12	4
2	10002491	Frame weldment	1
3	10002679	Engine tray weldment	1
4	00002601	Washer GB/T 96.1 12	6
5	00002046	Bolt GB/T 5783 M12×35	4
6	00000814	Washer GB/T 97.1 12	2
7	00000775	Bolt GB/T 5783 M6×30	2
8	00002583	Washer GB/T 96.1 6	4
9	10002593	Lock clasp	1
10	00001033	Nut GB/T 6182 M6	2

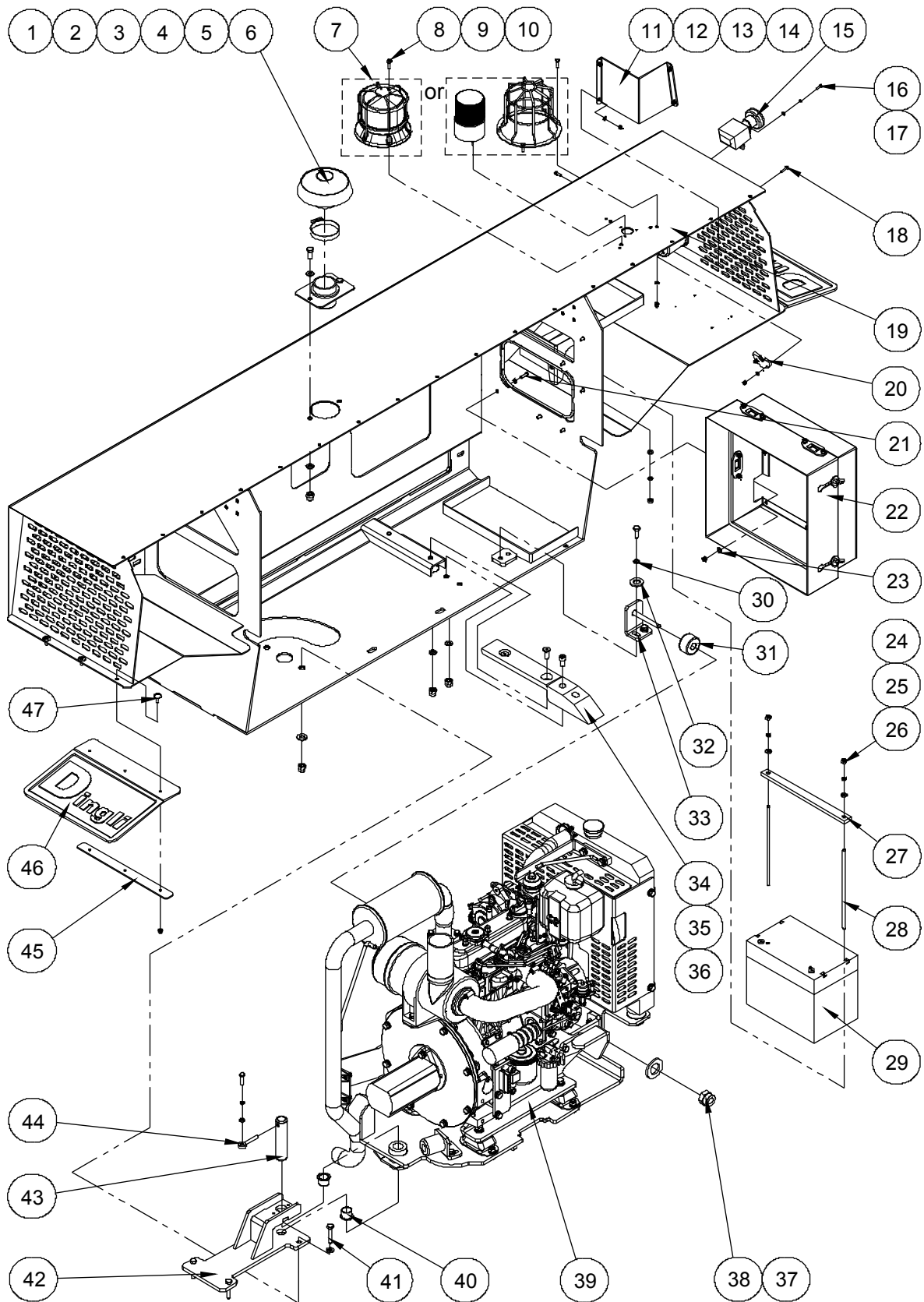
116.1 Engine Tray Door Installation



116.1 Engine Tray Door Installation

Item	Part No.	Description	Qty.
1	10002681	Right door	1
2	10002798	Latch	1
3	00000612	Screw GB/T 818 M5×20 - H	4
4	00000606	Washer GB/T 93 5	4
5	00000605	Washer GB/T 97.1 5	4
6		Engine tray assembly (refer to 117.1)	1
7	00001163	Nut GB/T 6182 M8	10
8	10002691	Gas shock bracket	1
9	00000993	Bolt GB/T 5783 M8×25	6
10	10002659	Gas shock	2
11	10002692	Gas shock bracket	1
12	0000608	Washer GB/T 97.1 8	12
13	00001986	Screw GB/T 818 M6×16 - H	34
14	00001033	Nut GB/T 6182 M6	34
15	00000620	Washer GB/T 97.1 6	34
16	10004994	Hinge	1

117.1 Engine Tray Assembly



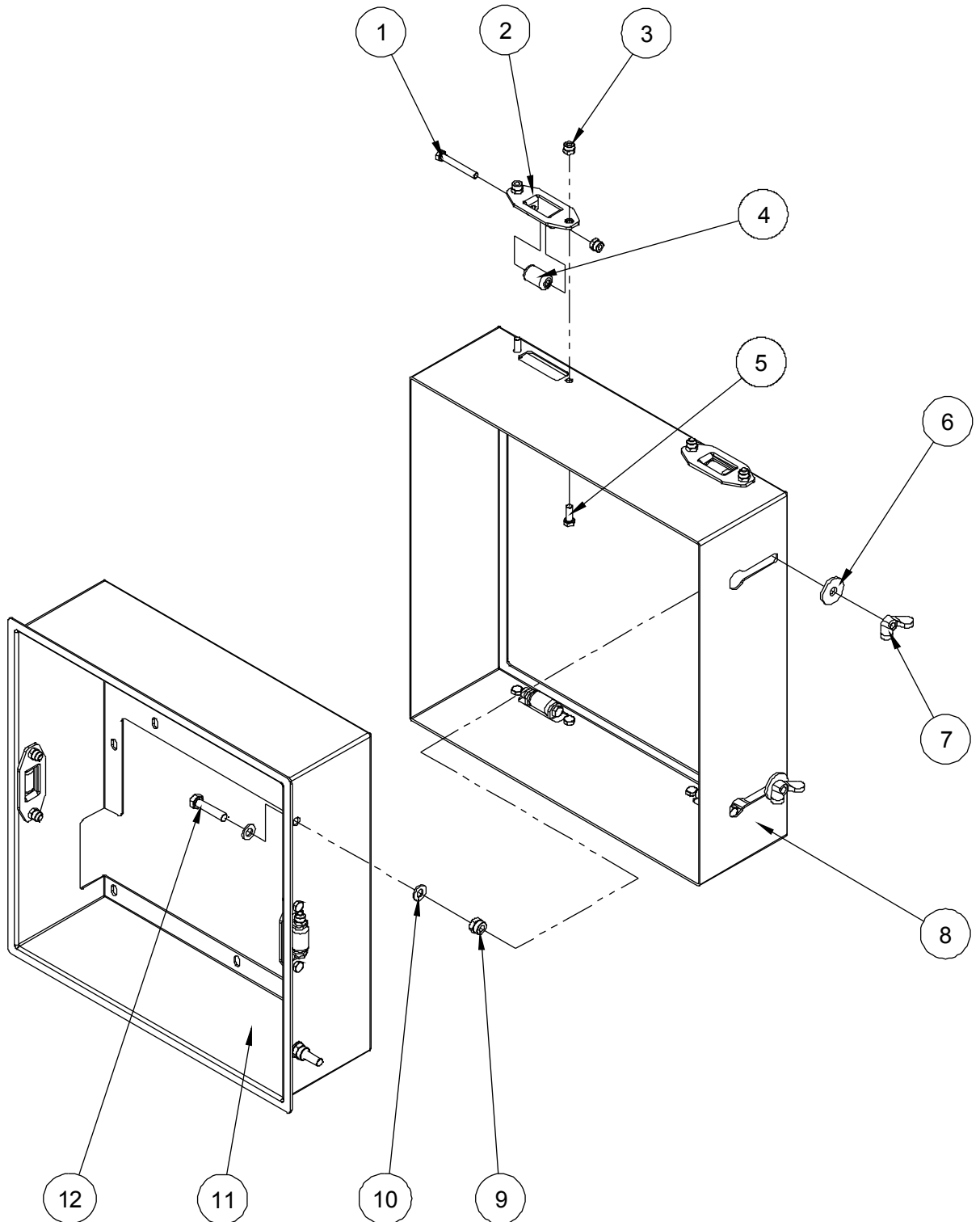
117.1 Engine Tray Assembly

Item	Part No.	Description	Qty.
1	10002733	Air cleaner cap	1
2	50001583	Clamp	1
3	10002737	Air cleaner cap mounting weldment	1
4	00000678	Bolt GB/T 5783 M10×25	5
5	00000615	Washer GB/T 97.1 10	13
6	00000623	Nut GB/T 6182 M10	10
7	00004757	Beacon	1
	00004594	Beacon (revolving light) (with beacon cover 50000185)	1
8	00000774	Screw GB/T 70.1 M6×20	3
9	00000620	Washer GB/T 97.1 6	19
10	00001033	Nut GB/T 6182 M6	19
11	10002695	Switch protection plate	1
12	00000605	Washer GB/T 97.1 5	18
13	00000613	Nut GB/T 6182 M5	8
14	00001250	Screw GB/T 818 M5×16 - H	4
15	00000655	Power switch	1
16	00000607	Screw GB/T 818 M5×12 - H	2
17	00000606	Washer GB/T 93 5	2
18	00000612	Screw GB/T 818 M5×20 - H	4
19	10002679	Engine tray weldment	1
20	10000537	Half-round batten	2
21	00000743	Bolt GB/T 5783 M6×20	13
22		Radiator shroud assembly (refer to 118.1)	1
23	00002583	Washer GB/T 96.1 6	10
24	00000610	Nut GB/T 6170 M8	4
25	00000609	Washer GB/T 93 8	4
26	00000608	Washer GB/T 97.1 8	4
27	10002762	Battery keeper bar	1
28	10002763	Threaded rod	2

117.1 Engine Tray Assembly

Item	Part No.	Description	Qty.
29	00004485	Battery	1
30	00000679	Washer GB/T 93 10	3
31	10000571	Bumper	1
32	00001028	Washer GB/T 96.1 10	6
33	10002690	Bumper bracket	1
34	10002693	Spacer	1
35	00001059	Screw GB/T 70.1 M10×30	2
36	00000847	Screw GB/T 70.3 M10×30	2
37	10002696	Washer	1
38	00001257	Nut GB/T 6182 M16	1
39		Engine system assembly (refer to 119.1, 121.1, 122.1)	1
40	00000204	8821-2525A Bearing	2
41	00002411	Bolt GB/T 5783 M10×45	4
42	10002685	Engine pivot mounting weldment	1
43	00000582	895-25098 Pin	1
44	00000220	8902-10080 Pin	1
45	10002644	Mudguard mount plate	2
46	10002643	Mudguard	2
47	10000064	Screw	6

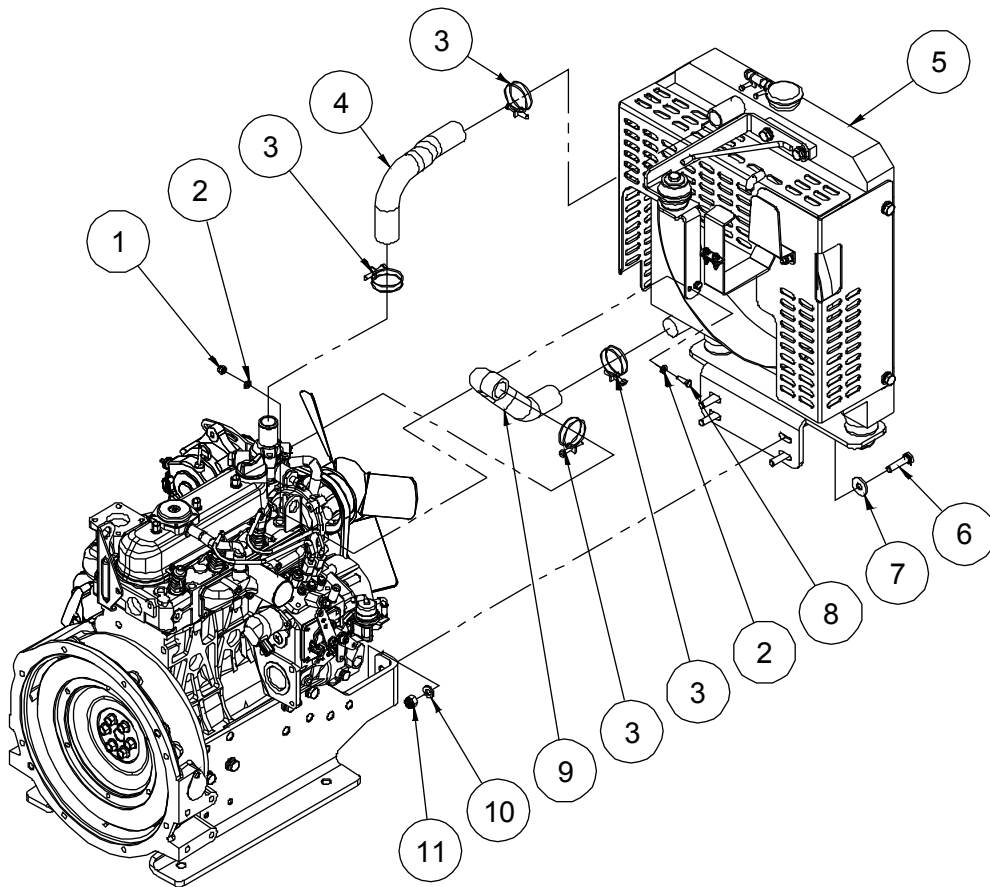
118.1 Radiator Shroud Assembly



118.1 Radiator Shroud Assembly

Item	Part No.	Description	Qty.
1	00002312	Bolt GB/T 5782 M6×45	6
2	10003031	Roller support	6
3	00001033	Nut GB/T 6182 M6	6
4	10003032	Roller	6
5	00000818	Bolt GB/T 5783 M6×16	12
6	00002000	Washer GB/T 96.1 8	2
7	00004430	Nut GB/T 62.1 M8	2
8	10002687	Inner shroud	1
9	00001163	Nut GB/T 6182 M8	2
10	00000608	Washer GB/T 97.1 8	4
11	10002686	Outer shroud	1
12	00002488	Bolt GB/T 5783 M8×35	2

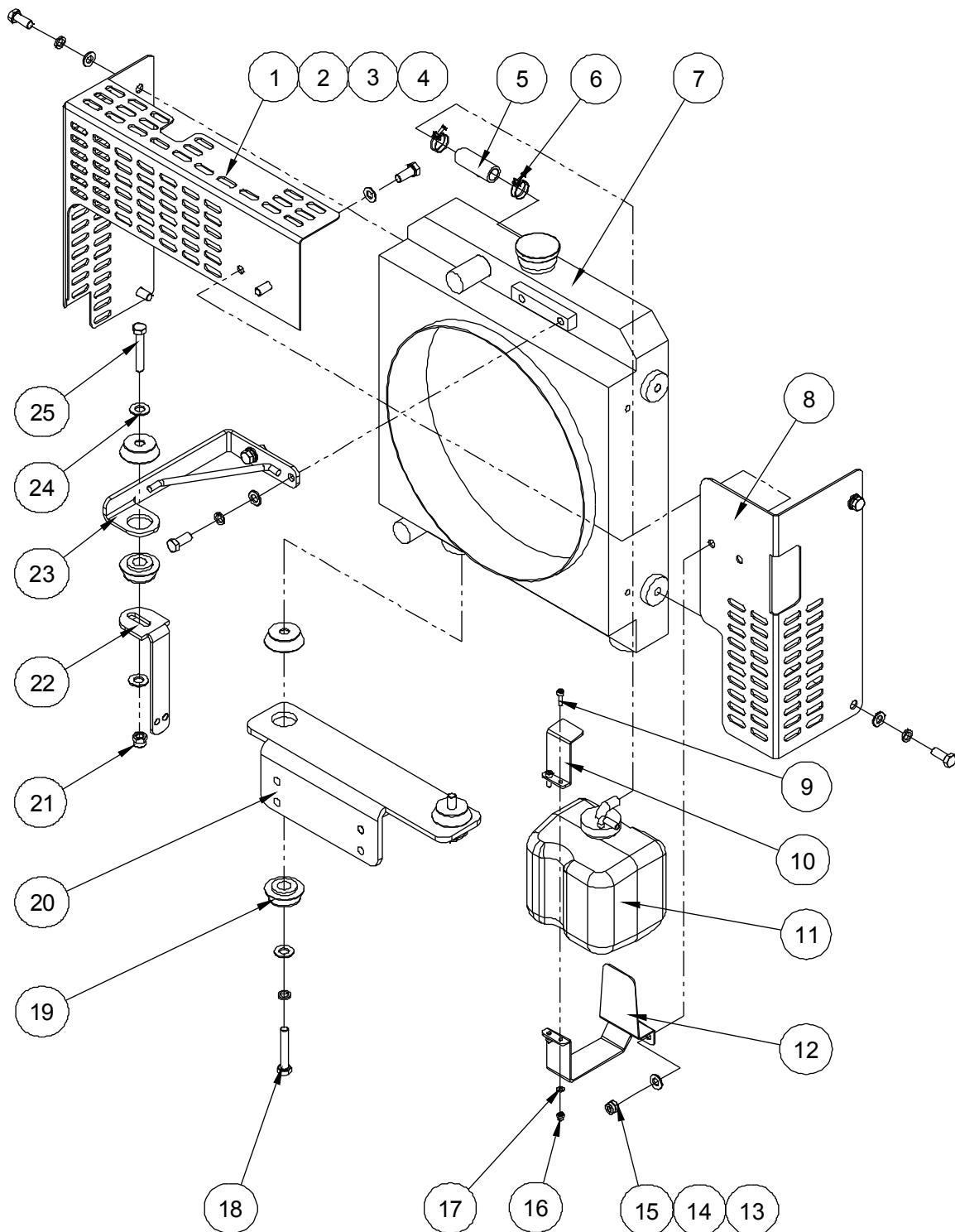
119.1 Cooling System Installation



119.1 Cooling System Installation

Item	Part No.	Description	Qty.
1	00001033	Nut GB/T 6182 M6	2
2	00000620	Washer GB/T 97.1 6	4
3	50001582	Clamp	4
4	10002725	Hose	1
5		Cooling system assembly (refer to 120.1)	1
6	00001041	Bolt GB/T 5783 M10×40	4
7	00001028	Washer GB/T 96.1 10	8
8	00000743	Bolt GB/T 5783 M6×20	2
9	10002726	Hose	1
10	00000615	Washer GB/T 97.1 10	22
11	00000623	Nut GB/T 6182 M10	5

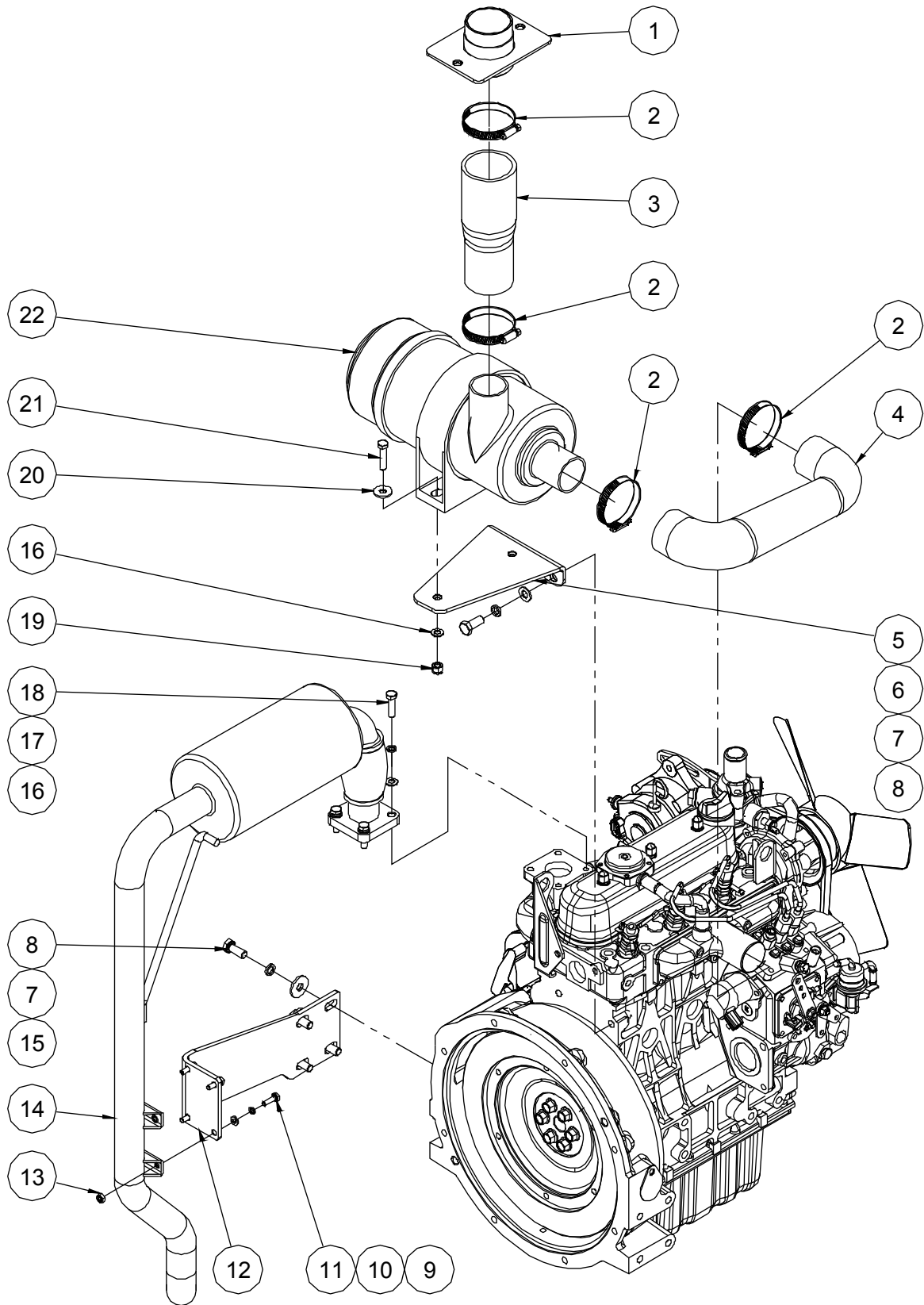
120.1 Cooling System Assembly



120.1 Cooling System Assembly

Item	Part No.	Description	Qty.
1	10002719	Cover	1
2	00000678	Bolt GB/T 5783 M10×25	6
3	00000679	Washer GB/T 93 10	6
4	00000615	Washer GB/T 97.1 10	6
5	10003008	Hose	1
6	50001592	Clamp	2
7	10002794	Cooler	1
8	10002720	Cover	1
9	00000817	Screw GB/T 70.1 M5×20	2
10	10001220	Bottle fixing plate	1
11	00002156	Coolant recovery bottle	1
12	10001218	Bottle bracket	1
13	00001163	Nut GB/T 6182 M8	2
14	00000608	Washer GB/T 97.1 8	4
15	00000993	Bolt GB/T 5783 M8×25	2
16	00000613	Nut GB/T 6182 M5	2
17	00000605	Washer GB/T 97.1 5	2
18	00000603	Bolt GB/T 5782 M10×55	2
19	00002251	Bumper	6
20	10002718	Cooler bracket	1
21	00000623	Nut GB/T 6182 M10	1
22	10002721	Support	1
23	10002707	Bracket weldment	1
24	00001028	Washer GB/T 96.1 10	4
25	00002512	Bolt GB/T 5782 M10×70	1

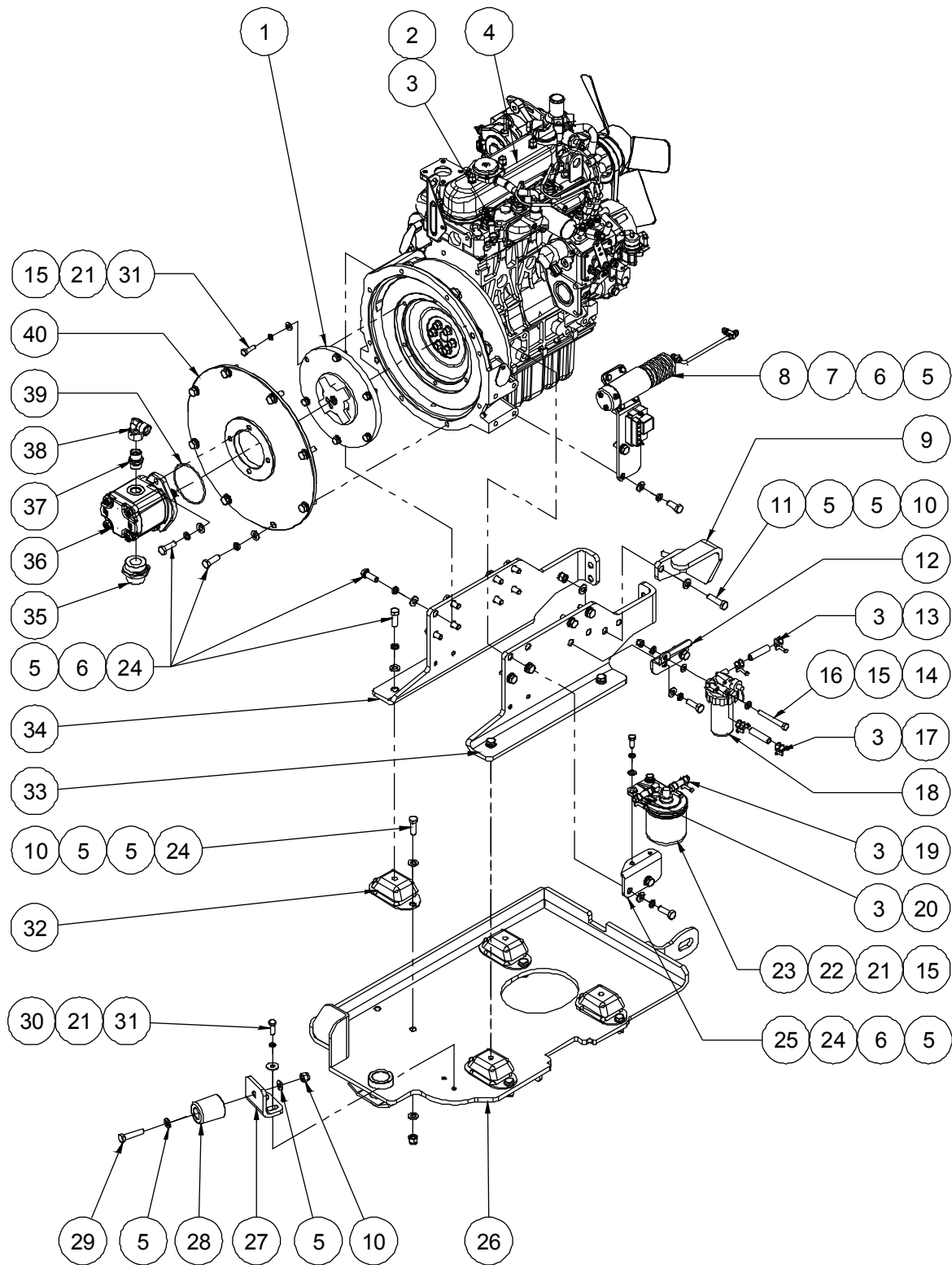
121.1 Intake System and Exhaust System



121.1 Intake System and Exhaust System

Item	Part No.	Description	Qty.
1		Air cleaner cap mounting weldment (refer to 117.1)	1
2	50001583	Clamp	4
3	10002734	Hose	1
4	10002724	Hose	1
5	10002717	Air cleaner bracket	1
6	00000615	Washer GB/T 97.1 10	2
7	00000679	Washer GB/T 93 10	6
8	00000678	Bolt GB/T 5783 M10×25	6
9	00000620	Washer GB/T 97.1 6	4
10	00000621	Washer GB/T 93 6	4
11	00000743	Bolt GB/T 5783 M6×20	4
12	10002748	Muffler bracket	1
13	00002247	Nut GB/T 6170 M6	4
14	10002749	Muffler	1
15	00001028	Washer GB/T 96.1 10	4
16	00000608	Washer GB/T 97.1 8	6
17	00000609	Washer GB/T 93 8	4
18	00000995	Bolt GB/T 5783 M8×30	4
19	00001163	Nut GB/T 6182 M8	2
20	00002000	Washer GB/T 96.1 8	2
21	00002488	Bolt GB/T 5783 M8×35	2
22	10002800	Air cleaner	1
--	10002943	Filter element	1

122.1 Engine Assembly



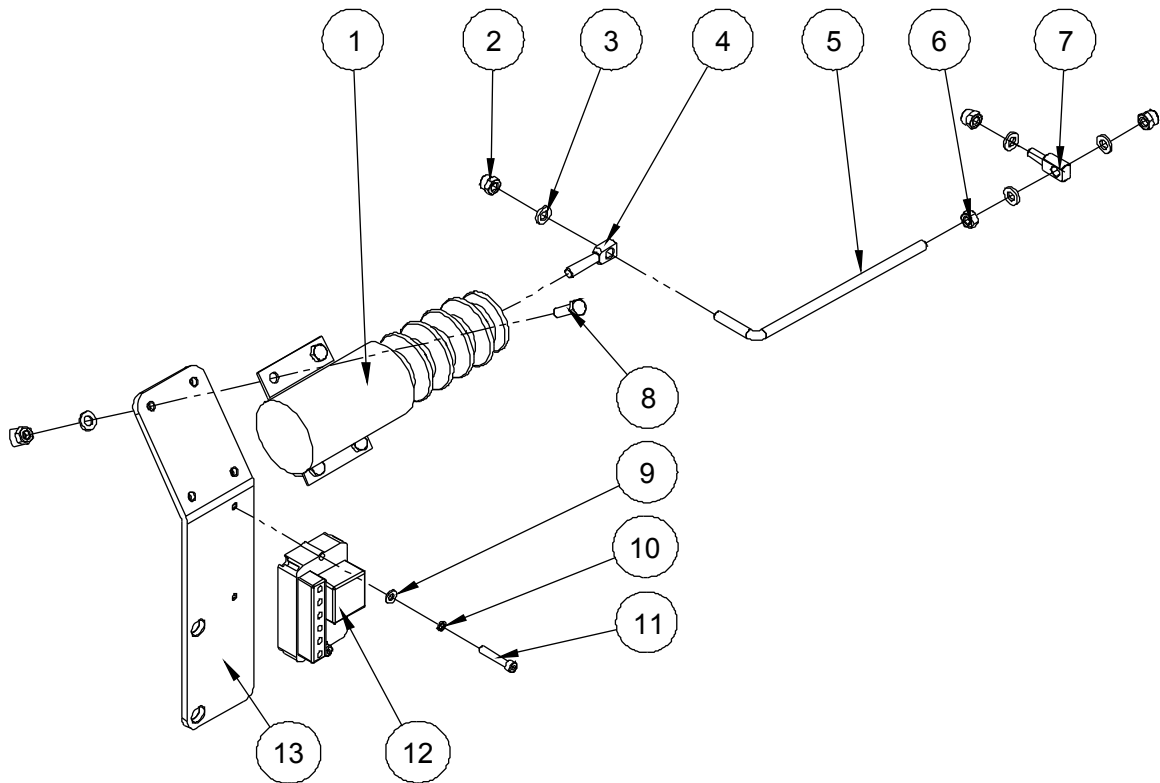
122.1 Engine Assembly

Item	Part No.	Description	Qty.
1	10002793	Flexible coupling	1
2	10003010	Hose	1
3	50001592	Clamp	10
4	10002785	Engine	1
--	10002787	Alternator	1
--	10002788	Starter motor	1
--	10002789	Filter element, oil filter	1
--	00004716	Coolant temperature switch	1
--	00004715	Oil pressure switch	1
--	00004714	Coil	1
5	00000615	Washer GB/T 97.1 10	54
6	00000679	Washer GB/T 93 10	32
7	00000678	Bolt GB/T 5783 M10×25	2
8		Fuel system assembly (refer to 123.1)	1
9	10002711	Handle	1
10	00000623	Nut GB/T 6182 M10	11
11	00001041	Bolt GB/T 5783 M10×40	2
12	10002708	Oil-water separator bracket	1
13	10003004	Hose	1
14	00001163	Nut GB/T 6182 M8	1
15	00000608	Washer GB/T 97.1 8	11
16	00001860	Bolt GB/T 5782 M8×70	1
17	10003005	Hose	1
18	10003003	Oil-water separator	1
19	10003006	Hose	1
20	10003007	Hose	1
21	00000609	Washer GB/T 93 8	10
22	00000875	Bolt GB/T 5783 M8×20	2
23	10003002	Fuel filter	1

122.1 Engine Assembly

Item	Part No.	Description	Qty.
--	10002978	Filter element	1
24	00000683	Bolt GB/T 5783 M10×30	38
25	10002728	Fuel filter bracket	1
26	10002704	Engine swing tray weldment	1
27	10002709	Bumper bracket	1
28	10003009	Bumper	1
29	00001251	Screw GB/T 70.1 M10×50	1
30	00002000	Washer GB/T 96.1 8	2
31	00000993	Bolt GB/T 5783 M8×25	8
32	00002162	Absorber	4
33	10002715	Engine bracket	1
34	10002714	Engine bracket	1
35	00003375	Straight fitting	1
36	00003276	Gear pump	1
37	00001776	Straight fitting	1
38	00001835	Elbow	1
39	00001536	O-ring As568A 82.22×2.62	1
40	10002716	Adapter	1

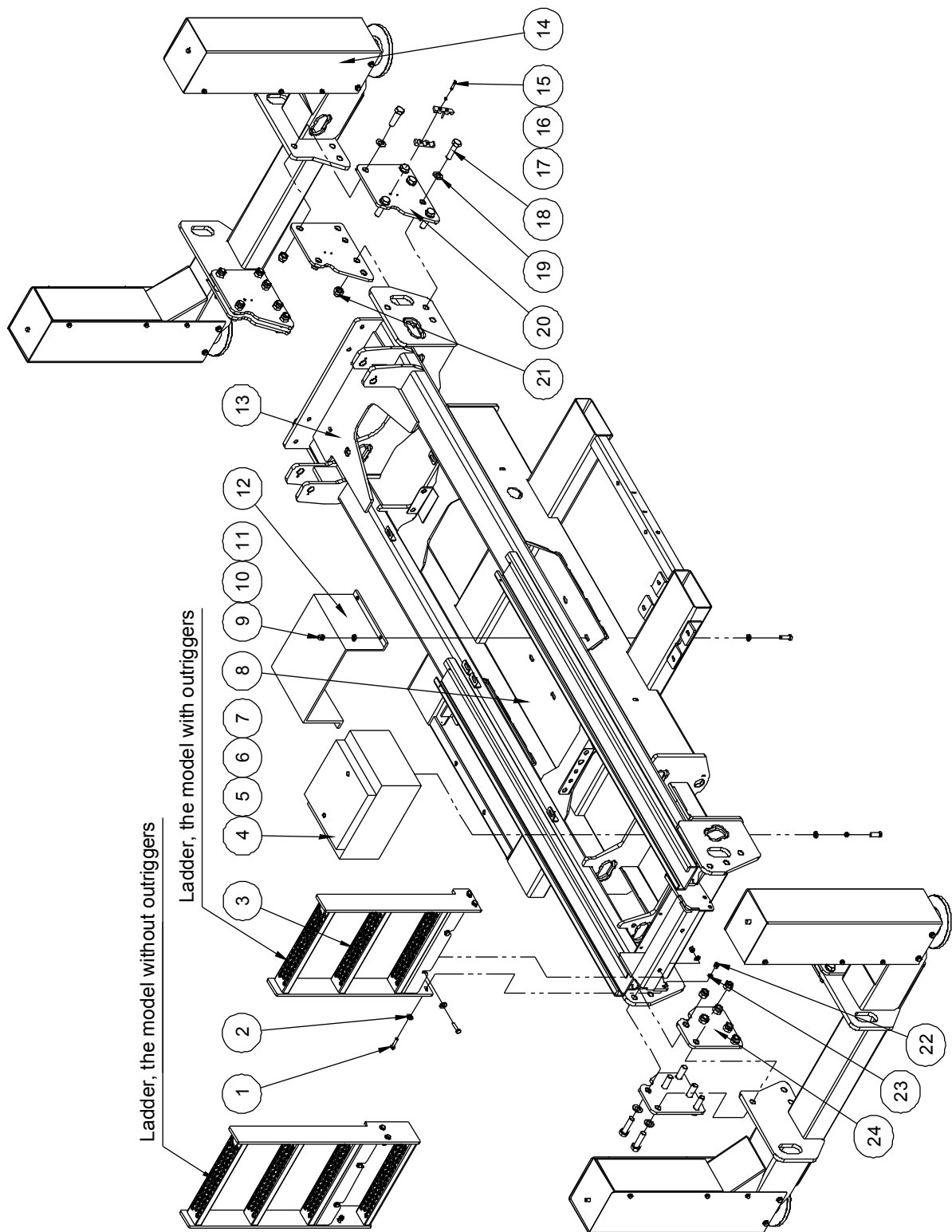
123.1 Fuel System Assembly



123.1 Fuel System Assembly

Item	Part No.	Description	Qty.
1	00002203	Throttle solenoid	1
2	00001033	Nut GB/T 6182 M6	7
3	00000620	Washer GB/T 97.1 6	13
4	10002730	Throttle screw	1
5	10002729	Throttle linkage	1
6	00002247	Nut GB/T 6170 M6	1
7	10002731	Throttle screw	1
8	00000743	Bolt GB/T 5783 M6×20	4
9	00000778	Washer GB/T 97.1 4	2
10	00000779	Washer GB/T 93 4	2
11	00002228	Screw GB/T 70.1 M4×25	2
12	00002204	Solenoid module	1
13	10002727	Throttle solenoid bracket	1

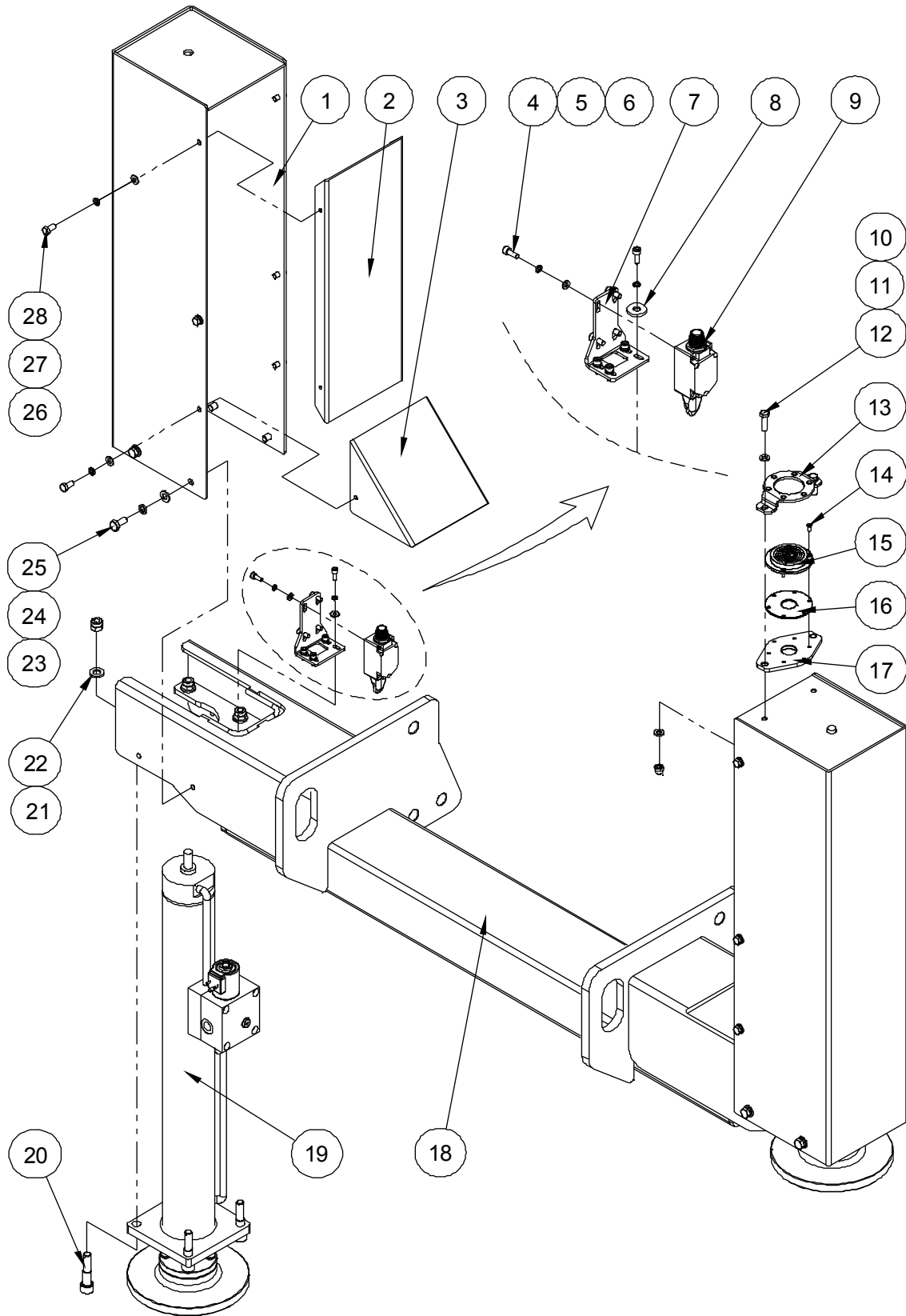
124.1 Outriggers and Ladder Installation



124.1 Outriggers and Ladder Installation

Item	Part No.	Description	Qty.
1	00001041	Bolt GB/T 5783 M10×40	6
2	00001028	Washer GB/T 96.1 10	6
3	10002582	Ladder (SC1018-AWD with outriggers)	1
	10002740	Ladder (SC1018-AWD without outriggers)	1
	10003501	Ladder (SC1218-AWD with outriggers)	1
	10003505	Ladder (SC1218-AWD without outriggers)	1
4	10003040	Counterweight (SC1218-AWD)	1
5	00000814	Washer GB/T 97.1 12 (SC1218-AWD)	2
6	00000815	Washer GB/T 93 12 (SC1218-AWD)	2
7	00002046	Bolt GB/T 5783 M12×35 (SC1218-AWD)	2
8	10004997	Counterweight (Model without outriggers)	1
9	00002046	Bolt GB/T 5783 M12×35 (Model without outriggers)	4
10	00000814	Washer GB/T 97.1 12 (Model without outriggers)	8
11	00001249	Nut GB/T 6182 M12 (Model without outriggers)	4
12	10000173	Cover	1
13	10002491	Frame weldment	1
14		Outrigger assembly (option) (refer to 123.1)	2
15	00001042	Screw GB/T 70.1 M6×30	8
16	00000621	Washer GB/T 93 6	8
17	10002781	Hose clamp	8
18	00003606	Bolt GB/T 5782 M20×70	24
19	00001050	Washer GB/T 97.1 20	24
20	10002780	Outrigger mount plate	4
21	00001051	Nut GB/T 6182 M20	24
22	00000623	Nut GB/T 6182 M10	6
23	00000615	Washer GB/T 97.1 10	6
24	10002783	Outrigger mount plate	4

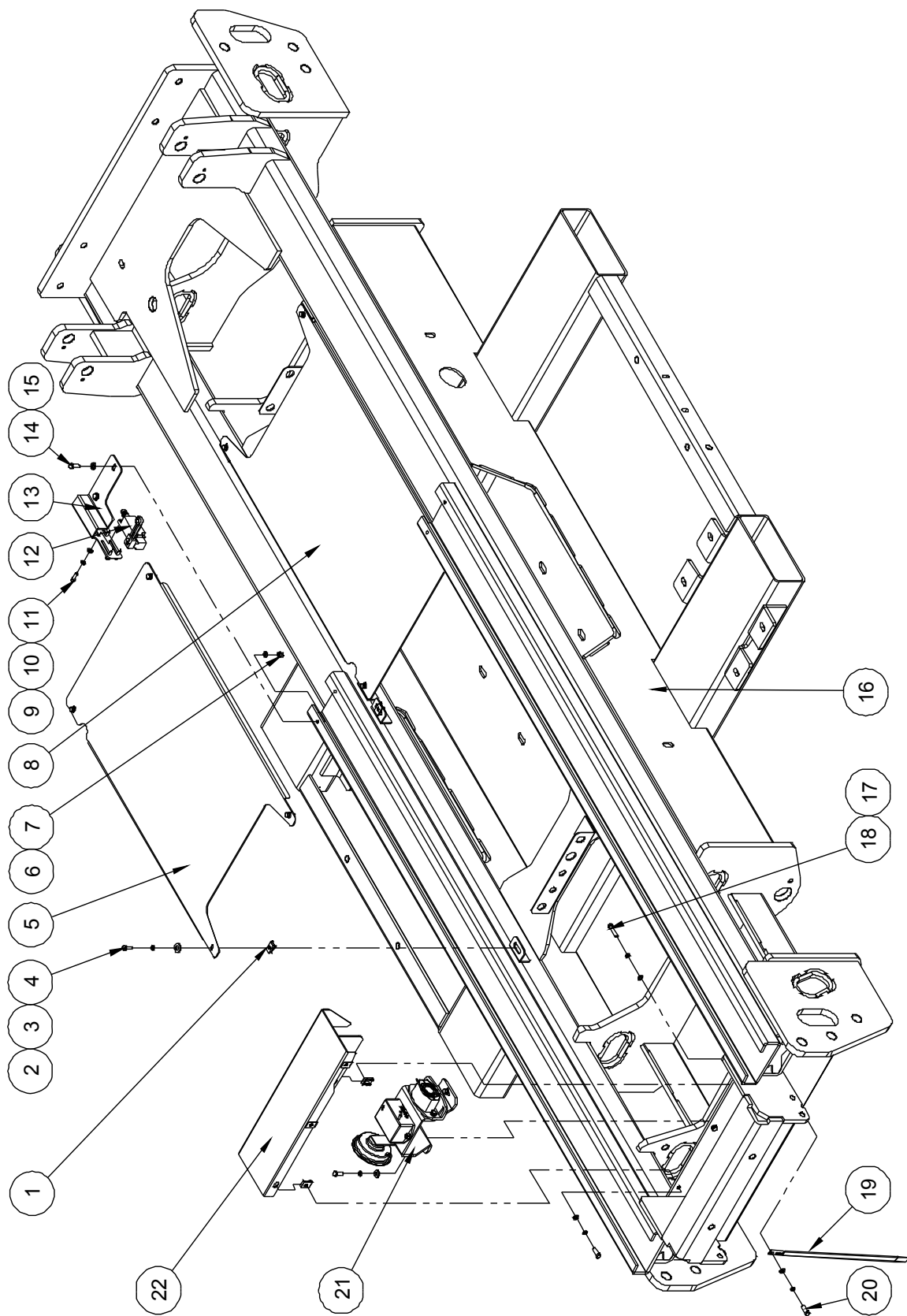
125.1 Outrigger Assembly (Option)



125.1 Outrigger Assembly (Option)

Item	Part No.	Description	Qty.
1	10002775	Outrigger housing	2
2	10002777	Cover	2
3	10002776	Cover	2
4	00000876	Screw GB/T 70.1 M6×16	16
5	00000621	Washer GB/T 93 6	16
6	00000620	Washer GB/T 97.1 6	4
7	10002779	Switch bracket	2
8	00000620	Washer GB/T 97.1 6	12
9	00000750	Limit switch	2
10	00000684	Bolt GB/T 5783 M10×35	2
11	00000615	Washer GB/T 97.1 10	2
12	00000623	Nut GB/T 6182 M10	2
13	10004260	Bubble level cover	1
14	00002336	Screw GB/T 819 M5×14 - H	3
15	10004259	Bubble level	1
16	10004271	Rubber pad	1
17	10003797	Bubble level mount plate	1
18	10002772	Outrigger yoke	1
19		Outrigger cylinder assembly (without seal kit) (refer to 406.1)	2
20	10002778	Screw	8
21	00001249	Nut GB/T 6182 M12	8
22	00000814	Washer GB/T 97.1 12	8
23	00000674	Bolt GB/T 5783 M10×20	8
24	00000679	Washer GB/T 93 10	8
25	00000615	Washer GB/T 97.1 10	8
26	00001063	Bolt GB/T 5783 M8×16	12
27	00000609	Washer GB/T 93 8	12
28	00000608	Washer GB/T 97.1 8	12

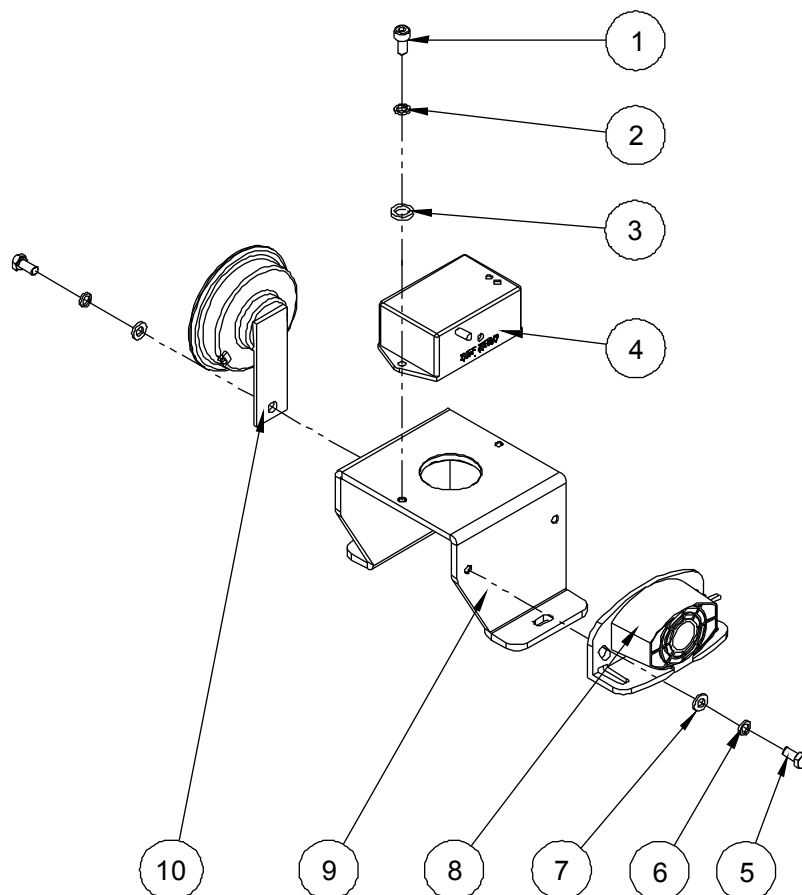
126.1 Chassis Accessory Installation



126.1 Chassis Accessory Installation

Item	Part No.	Description	Qty.
1	50000112	Nut	13
2	00000818	Bolt GB/T 5783 M6×16	10
3	00002583	Washer GB/T 96.1 6	10
4	00000621	Washer GB/T 93 6	15
5	10002585	Cover	1
6	00001163	Nut GB/T 6182 M8	2
7	00000608	Washer GB/T 97.1 8	2
8	10002584	Cover	1
9	00001252	Screw GB/T 70.1 M5×12	4
10	00003545	Washer GB/T 96.1 5	4
11	00000606	Washer GB/T 93 5	4
12	00002354	Limit switch	1
13	10002589	Switch bracket	1
14	00000993	Bolt GB/T 5783 M8×25	2
15	00002000	Washer GB/T 96.1 8	2
16	10002491	Frame weldment	1
17	00000775	Bolt GB/T 5783 M6×30	2
18	0000620	Washer GB/T 97.1 6	5
19	10002979	Ground strap	1
20	00000743	Bolt GB/T 5783 M6×20	3
21		Electrical accessory assembly (refer to 125.1)	1
22	10002586	Cover	1

127.1 Electrical Accessory Assembly

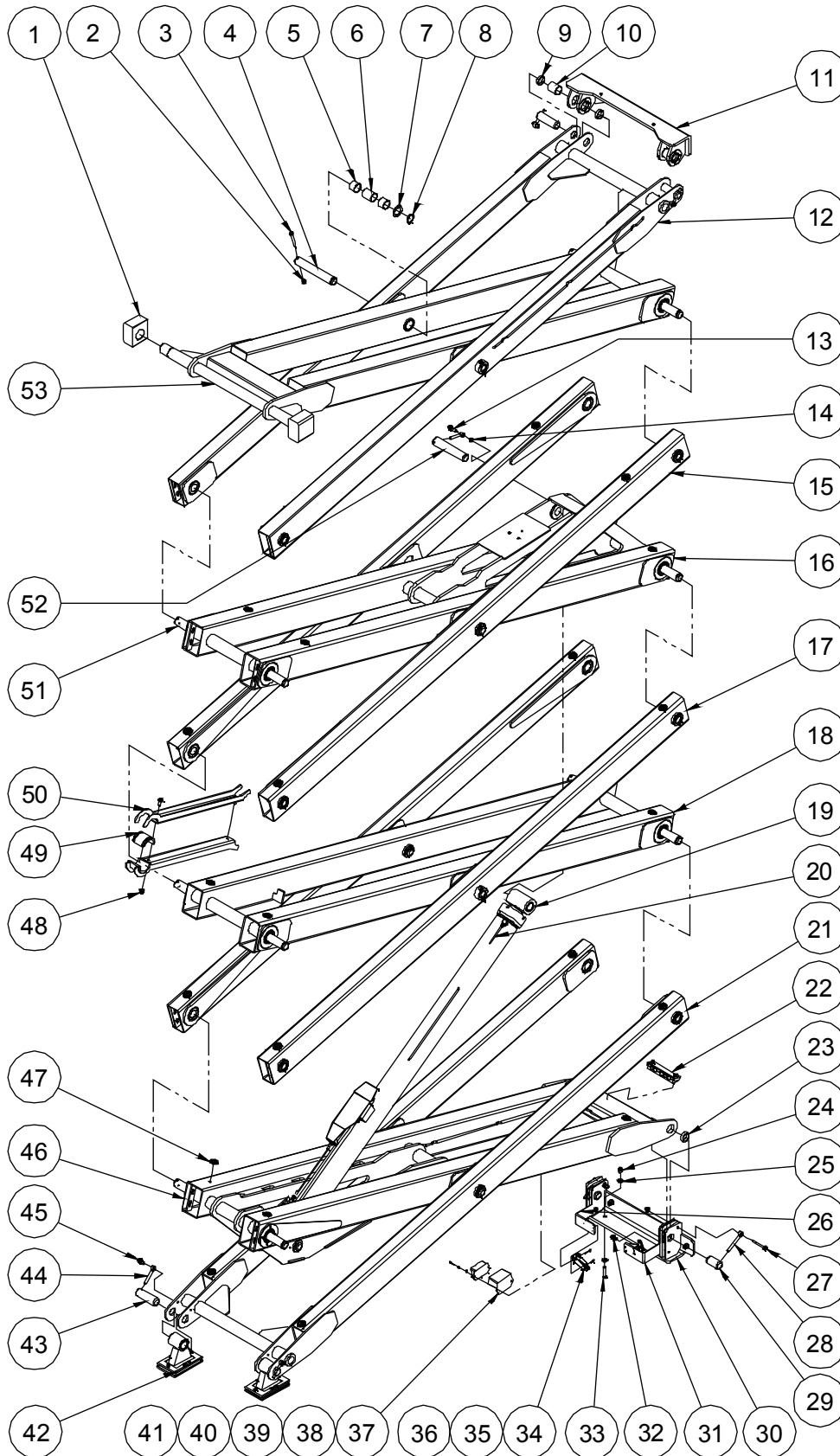


127.1 Electrical Accessory Assembly

Item	Part No.	Description	Qty.
1	00001252	Screw GB/T 70.1 M5×12	2
2	00000606	Washer GB/T 93 5	2
3	00000605	Washer GB/T 97.1 5	2
4	00003962	Tilt sensor	1
5	00000818	Bolt GB/T 5783 M6×16	3
6	00002583	Washer GB/T 96.1 6	3
7	00000620	Washer GB/T 97.1 6	3
8	00004438	Alarm	1
9	10002587	Mounting plate	1
10	00002212	Horn	1

Section 2 Scissor

201.1 Scissor Assembly (SC1018-AWD)



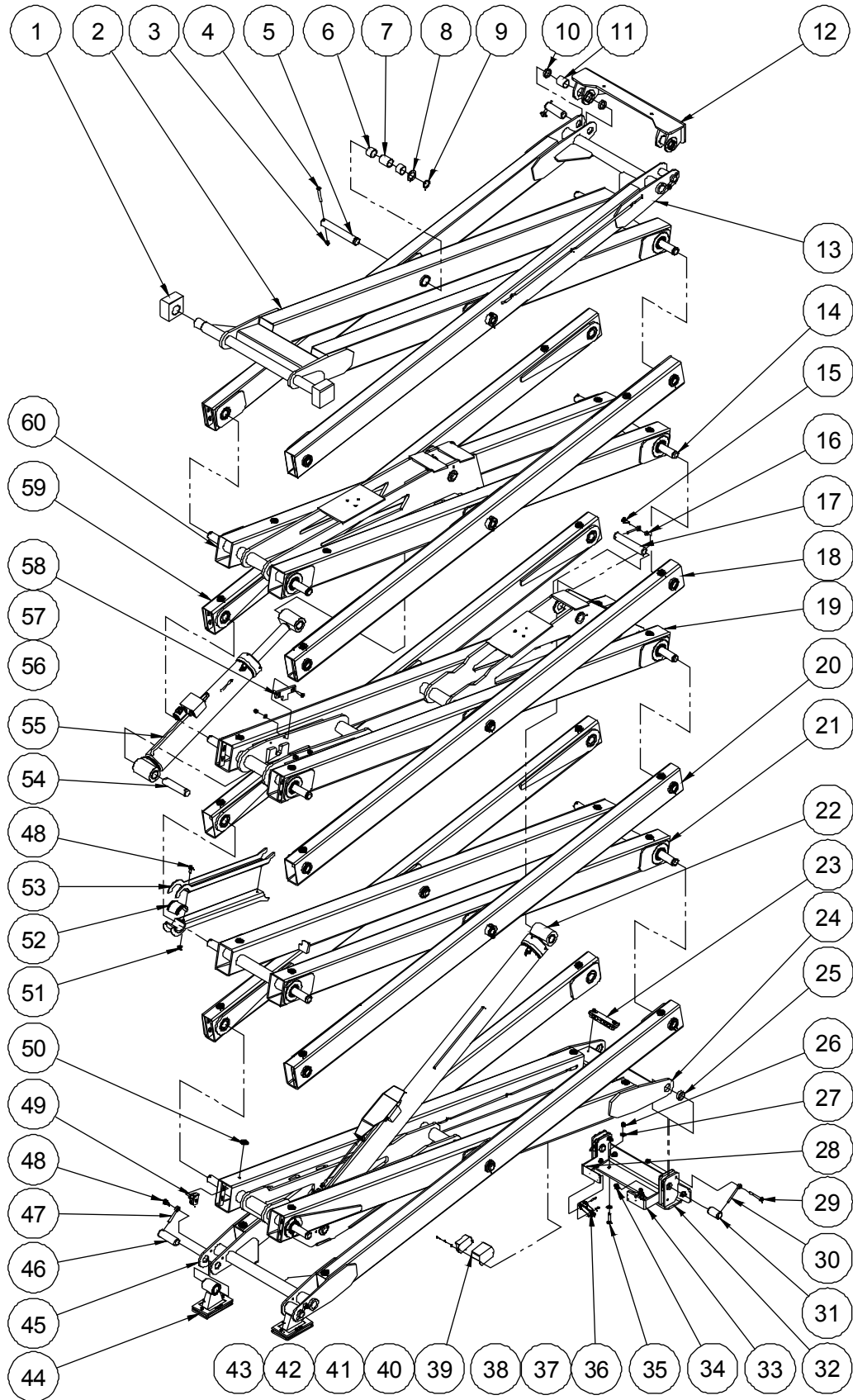
201.1 Scissor Assembly (SC1018-AWD)

Item	Part No.	Description	Qty.
1	10002420	Platform slider	2
2	00000623	Nut GB/T 6182 M10	12
3	00001027	Bolt GB/T 5782 M10×80	12
4	00000567	898-38.1×224 Pin	4
5	00000438	8813-38.1×44.45×31.75 Bearing	24
6	10002447	Spacer sleeve 2	4
7	10000254	Washer	12
8	00000787	Circlips JB/ZQ 4342-38	12
9	00000444	8813-38.1×44.45×10 Bearing	4
10	10002446	Spacer sleeve 1	2
11	10001577	Platform pivot weldment	1
12	10002612	Outer arm 4	1
13	00002877	Bolt QC/T 340 M10×35	2
14	10002449	Washer	2
15	10002609	Outer arm 3	1
16	10002607	Inner arm 3	1
17	10002605	Outer arm 2	1
18	10002604	Inner arm 2	1
19		Lower lift cylinder assembly (without seal kit) (refer to 401.1)	1
20	10001632	Hose	1
21	10002603	Outer arm 1	1
22	10000446	Hose clamp assembly (refer to 204.1)	1
23	00000436	8813-38.1×44.45×14 Bearing	2
24	00001249	Nut GB/T 6182 M12	6
25	00000814	Washer GB/T 97.1 12	12
26	10002448	Switch bracket	1
27	00002883	Bolt GB/T 16674 M10×80	2
28	00002481	8902-10100 Pin	2

201.1 Scissor Assembly (SC1018-AWD)

Item	Part No.	Description	Qty.
29	00000592	895-38.1×60 Pin	2
30	10002455	Chassis link pivot weldment	1
31	10002450	Switch bracket	1
32	00002873	Bolt QC/T 340 M10×20	2
33	00001856	Bolt GB/T 5783 M12×50	6
34	00000748	Limit switch	2
35	00002415	Screw GB/T 70.1 M4×30	4
36	00000604	Screw GB/T 70.1 M4×16	4
37	10000251	Sensor cover	1
38	00000695	Angle sensor	1
39	00000778	Washer GB/T 97.1 4	2
40	00000779	Washer GB/T 93 4	2
41	00001054	Screw GB/T 70.1 M4×12	2
42		Slider assembly (refer to 203.1)	2
43	00000593	895-38.1×110 Pin	4
44	00000220	8902-10080 Pin	6
45	00002887	Bolt QC/T 340 M10×25	6
46	10002508	Inner arm 1	1
47	10000264	Block	24
48	00002572	Nut GB/T 6183.1 M10	4
49	10000260	Safety arm bushing	2
50	10002451	Safety arm	2
51	00000569	898-38.1×689 Pin	8
52	00000594	895-38.1×190 Pin	2
53	10002611	Inner arm 4	1

202.1 Scissor Assembly (SC1218-AWD)



202.1 Scissor Assembly (SC1218-AWD)

Item	Part No.	Description	Qty.
1	10002420	Platform slider	2
2	10002611	Inner arm 4	1
3	00000623	Nut GB/T 6182 M10	20
4	00001027	Bolt GB/T 5782 M10×80	16
5	00000567	898-38.1×224 Pin	6
6	00000438	8813-38.1×44.45×31.75 Bearing	32
7	10002447	Spacer sleeve 2	6
8	10000254	Washer	16
9	00000787	Circlips JB/ZQ 4342-38	16
10	00000444	8813-38.1×44.45×10 Bearing	4
11	10002446	Spacer sleeve 1	2
12	10001577	Platform pivot weldment	1
13	10002612	Outer arm 4	1
14	00000569	898-38.1×689 Pin	10
15	00002877	Bolt QC/T 340 M10×35	3
16	10002449	Washer	3
17	00000594	895-38.1×190 Pin	3
18	10002977	Outer arm 3	1
19	10002976	Inner arm 3	1
20	10002605	Outer arm 2	1
21	10002604	Inner arm 2	1
22		Lower lift cylinder assembly (without seal kit) (refer to 401.1)	1
23	10000446	Hose clamp assembly (refer to 204.1)	1
24	10002508	Inner arm 1	1
25	00000436	8813-38.1×44.45×14 Bearing	2
26	00001249	Nut GB/T 6182 M12	6
27	00000814	Washer GB/T 97.1 12	12
28	10002448	Switch bracket	1

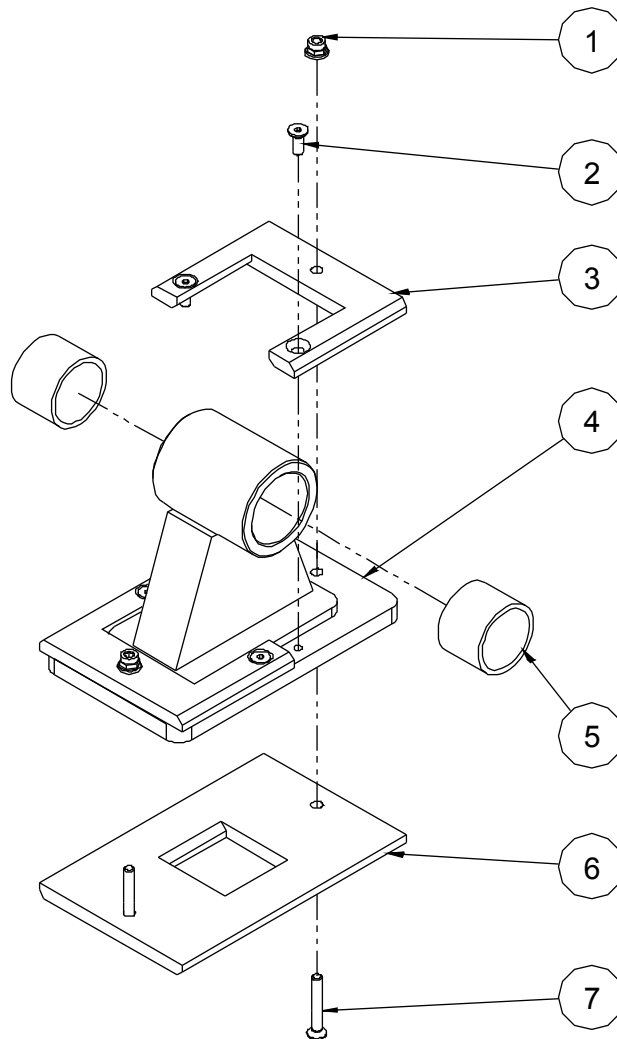
202.1 Scissor Assembly (SC1218-AWD)

Item	Part No.	Description	Qty.
29	00002883	Bolt GB/T 16674 M10×80	2
30	00002481	8902-10100 Pin	2
31	00000592	895-38.1×60 Pin	2
32	10002455	Chassis link pivot weldment	1
33	10002450	Switch bracket	1
34	00002873	Bolt QC/T 340 M10×20	2
35	00001856	Bolt GB/T 5783 M12×50	6
36	00000748	Limit switch	2
37	00002415	Screw GB/T 70.1 M4×30	4
38	00000604	Screw GB/T 70.1 M4×16	4
39	10000251	Sensor cover	1
40	00000695	Angle sensor	1
41	00000778	Washer GB/T 97.1 4	2
42	00000779	Washer GB/T 93 4	2
43	00001054	Screw GB/T 70.1 M4×12	2
44		Slider assembly (refer to 203.1)	2
45	10002603	Outer arm 1	1
46	00000593	895-38.1×110 Pin	4
47	00000220	8902-10080 Pin	7
48	00002887	Bolt QC/T 340 M10×25	6
49	10002900	Hose clamp assembly (refer to 205.1)	2
50	10000264	Block	32
51	00002572	Nut GB/T 6183.1 M10	4
52	10000260	Safety arm bushing	2
53	10002451	Safety arm	2
54	10001555	Pin	1
55		Upper lift cylinder assembly (without seal kit) (refer to 402.1)	1
56	00000615	Washer GB/T 97.1 10	4

202.1 Scissor Assembly (SC1218-AWD)

Item	Part No.	Description	Qty.
57	00000849	Screw GB/T 70.3 M10×40	4
58	10002920	Pin fixing plate	2
59	10002934	Outer arm 4	1
60	10002933	Inner arm 4	1

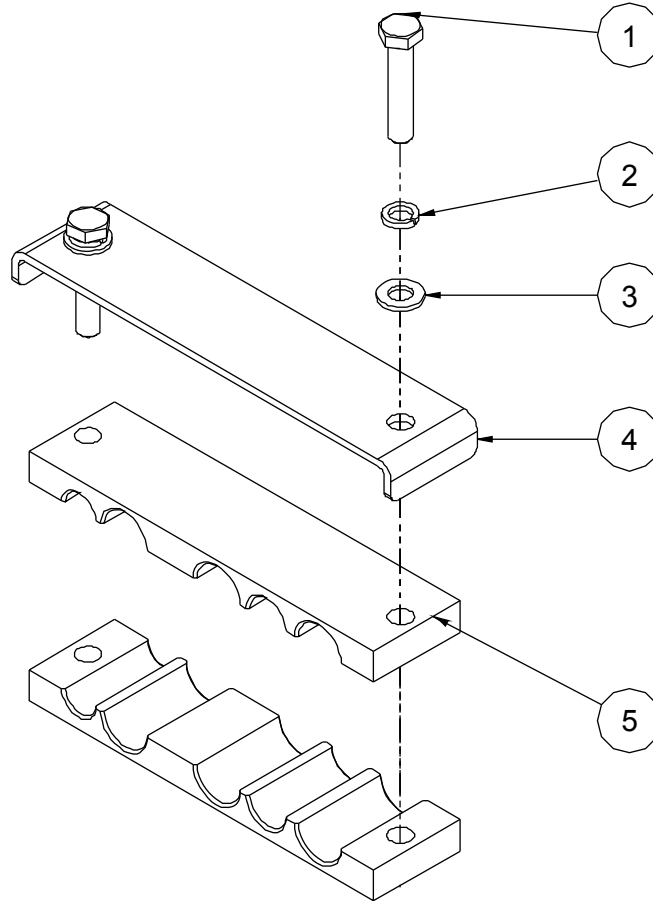
203.1 Slider Assembly



203.1 Slider Assembly

Item	Part No.	Description	Qty.
1	00002574	Nut GB/T 6183.1 M6	2
2	00000830	Screw GB/T 70.3 M6×16	4
3	10002457	Upper slider	2
4	10002492	Slider foot weldment	1
5	00000438	8813-38.1×44.45×31.75 Bearing	2
6	10002456	Lower slider	1
7	00000834	Screw GB/T 70.3 M6×40	2

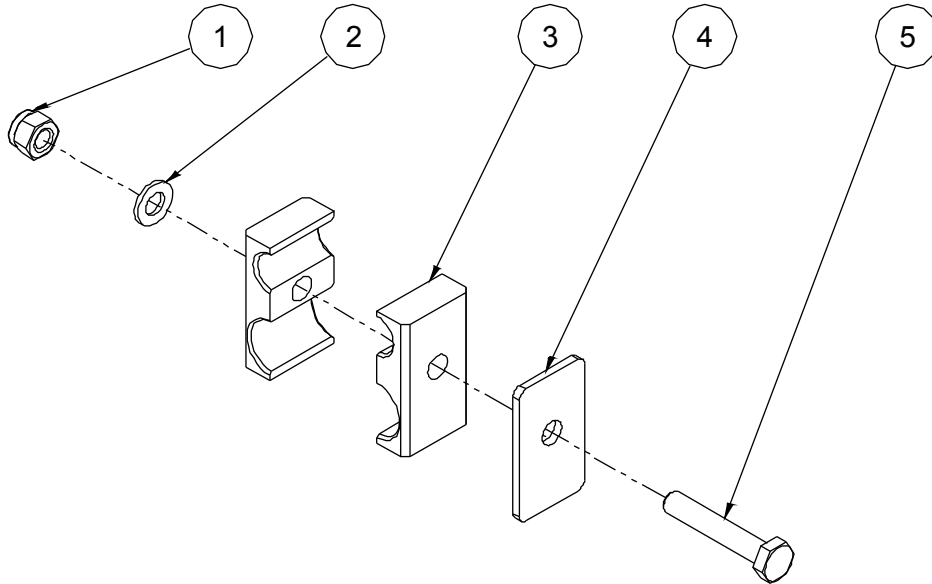
204.1 Hose Clamp Assembly



204.1 Hose Clamp Assembly

Item	Part No.	Description	Qty.
1	00002604	Bolt GB/T 5783 M8×40	2
2	00000609	Washer GB/T 93 8	2
3	00000608	Washer GB/T 97.1 8	2
4	10000437	Base plate	1
5	10000412	Hose clamp	2

205.1 Hose Clamp Assembly (SC1218-AWD)

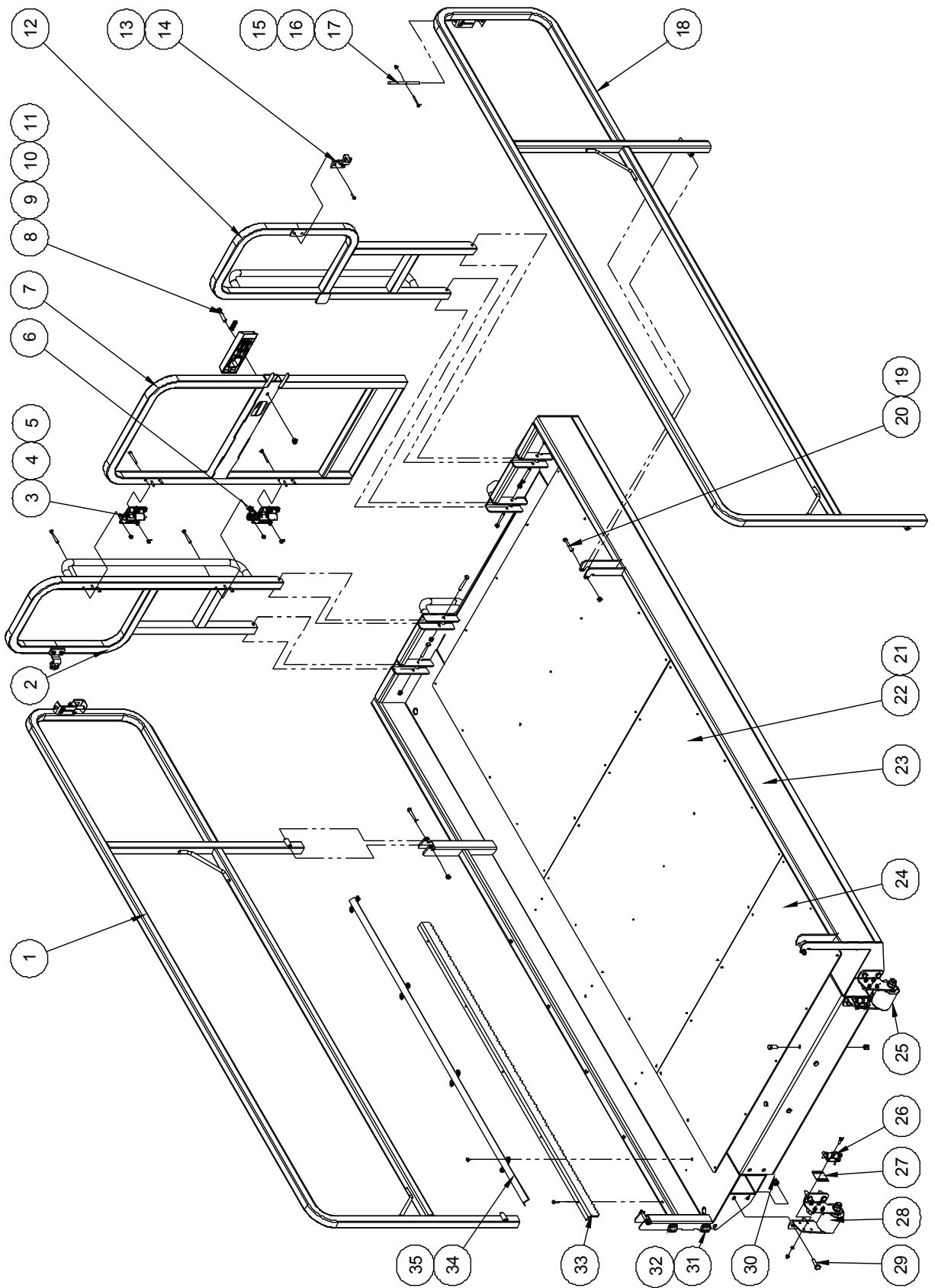


205.1 Hose Clamp Assembly (SC1218-AWD)

Item	Part No.	Description	Qty.
1	00001163	Nut GB/T 6182 M8	1
2	00000608	Washer GB/T 97.1 8	1
3	10002888	Hose clamp	2
4	10002884	Base plate	1
5	00002607	Bolt GB/T 5783 M8×45	1

Section 3 Platform

301.1 Main Platform Assembly



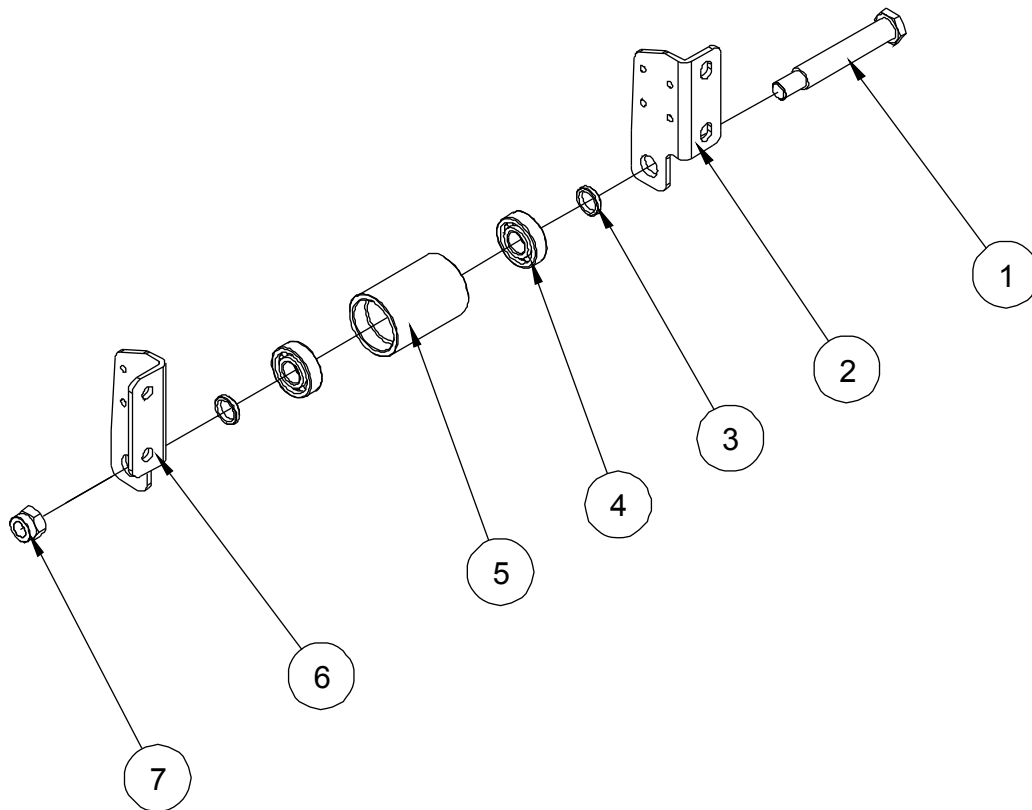
301.1 Main Platform Assembly

Item	Part No.	Description	Qty.
1	10004249	Right main rail	1
2	10004272	Right door rail	1
3	10000299	Hinge A	1
4	00002581	Bolt GB/T 16674 M6×50	12
5	00002574	Nut GB/T 6183.1 M6	12
6	10000302	Hinge B	1
7	10004351	Entry gate	1
8	00002547	Bolt GB/T 16674 M10×55	1
9	10000367	Spring	1
10	10000331	Latch handle	1
11	00002572	Nut GB/T 6183.1 M10	1
12	10004250	Left door rail	1
13	10004120	Lock pin	2
14	00002865	Bolt QC/T 340 M6×14	9
15	00002392	Screw GB/T 70.1 M5×40	2
16	00002573	Nut GB/T 6183.1 M5	2
17	10004382	Inserted pin rod	2
18	10004241	Left main rail	1
19	00002568	Bolt GB/T 16674 M8×60	8
20	00002575	Nut GB/T 6183.1 M8	8
21	00001991	Rivet GB/T 12618.4 4.8×16	50
22	10004239	Main platform deck plate 1	2
23	10004152	Main deck weldment	1
24	10004240	Main platform deck plate 2	1
25		Support roller assembly (refer to 302.1)	1
26		Side roller assembly (refer to 303.1)	4
27	10004111	Adjusting plate	4
28		Support roller assembly (refer to 302.1)	1
29	00002046	Bolt GB/T 5783 M12×35	12

301.1 Main Platform Assembly

Item	Part No.	Description	Qty.
30	00002576	Nut GB/T 6183.1 M12	12
31	10001776	Wire clip	4
32	00000604	Screw GB/T 70.1 M4×16	4
33	10004655	Extension deck lock tooth	1
34	10004130	Roller track	2
35	00000828	Screw GB/T 70.3 M6×10	16

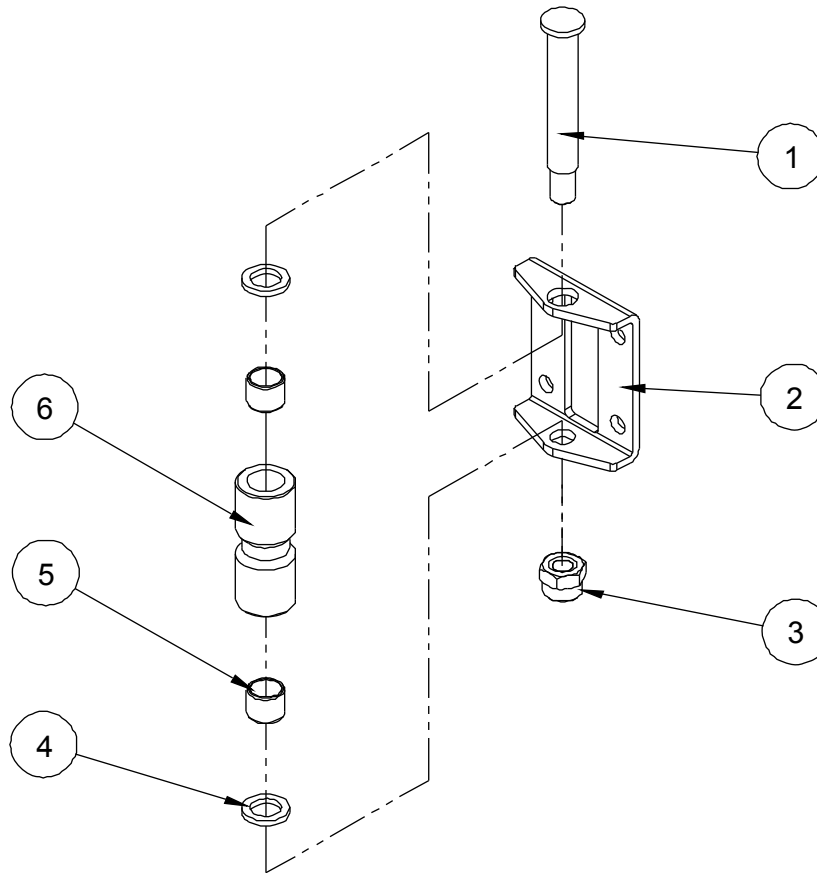
302.1 Support Roller Assembly



302.1 Support Roller Assembly

Item	Part No.	Description	Qty.
1	10004140	Pin	1
2	10004149	Roller bracket 2	1
3	10004141	Shim	2
4	00001295	Bearing GB/T 276-1994 - 6204	2
5	10004142	Roller	1
6	10004148	Roller bracket 1	1
7	00002578	Nut GB/T 6183.1 M16	1

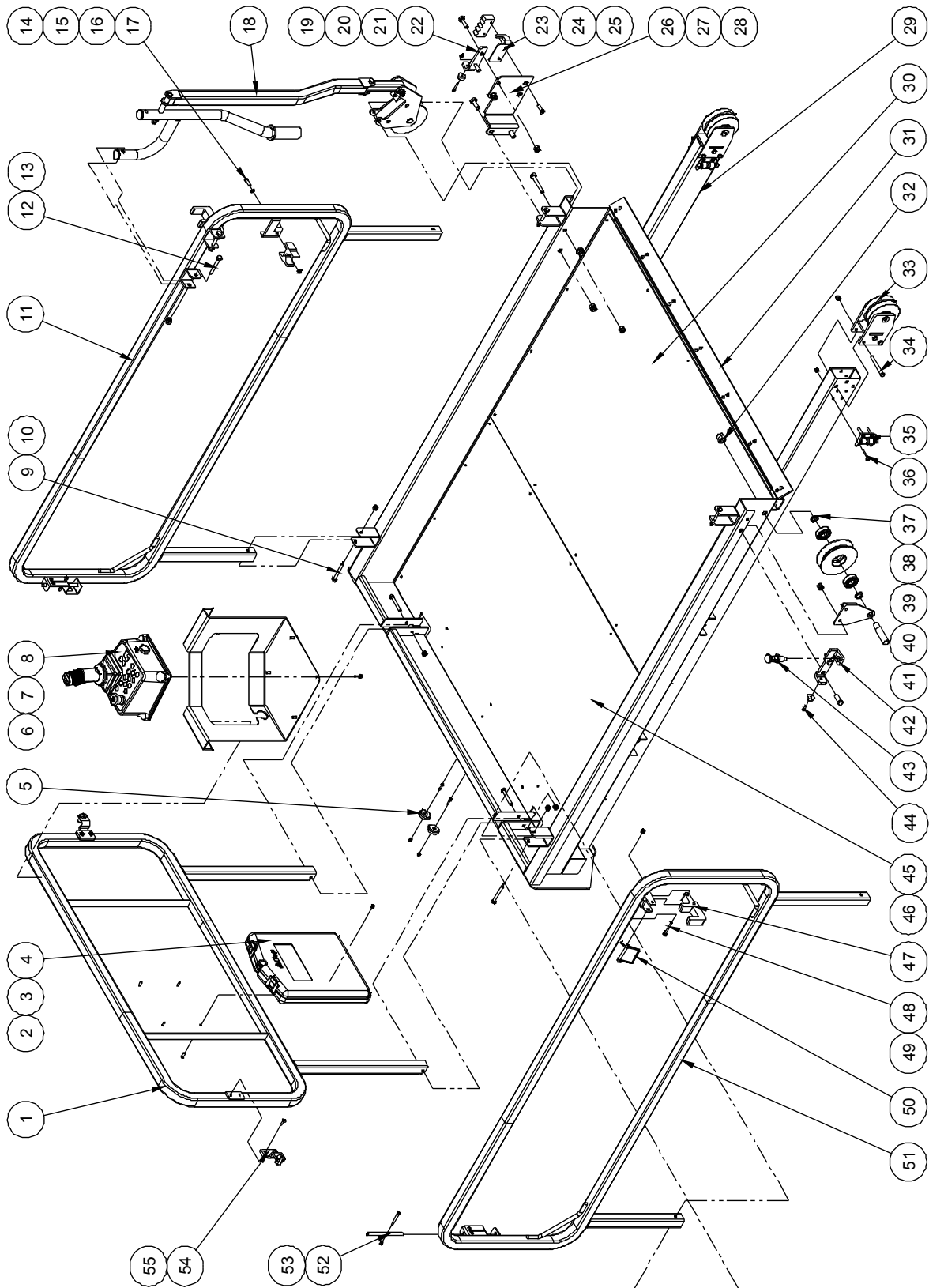
303.1 Side Roller Assembly



303.1 Side Roller Assembly

Item	Part No.	Description	Qty.
1	10004145	Pin	1
2	10004144	Roller bracket	1
3	00002575	Nut GB/T 6183.1 M8	1
4	10004147	Washer 10	2
5	00000340	8812-101210 Bearing	2
6	10004146	Roller	1

304.1 Platform Extension Assembly



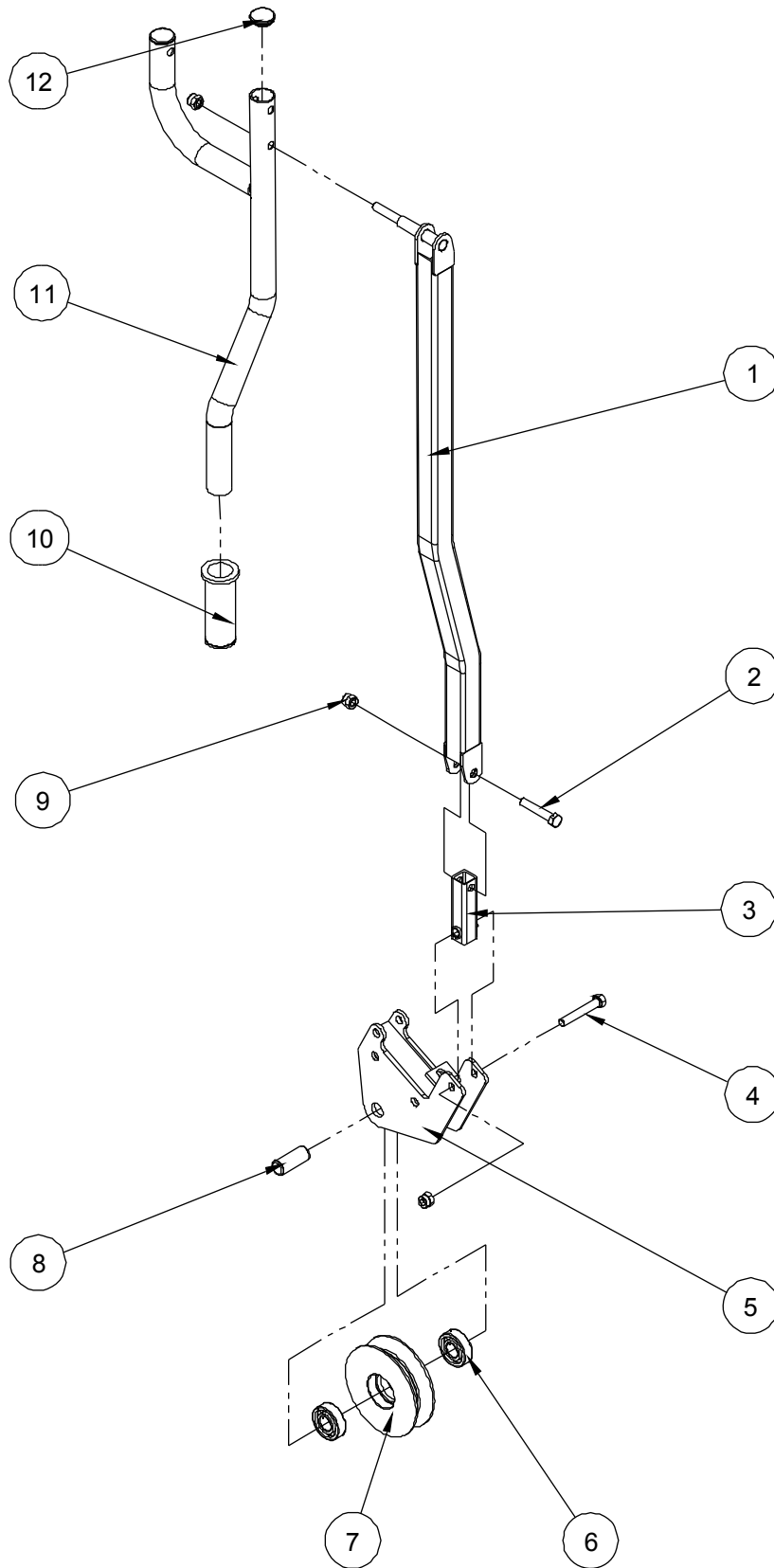
304.1 Platform Extension Assembly

Item	Part No.	Description	Qty.
1	10004375	Front rail	1
2	00002523	Screw GB/T 973 M5×16	4
3	00002573	Nut GB/T 6183.1 M5	9
4	50000555	Manual box	1
5	10004200	Bumper	2
6	00001986	Screw GB/T 818 M6×16 - H	4
7	10001648	Platform control box mount bracket	1
8		Platform control box assembly (refer to 307.1)	1
9	00002568	Bolt GB/T 16674 M8×60	6
10	00002575	Nut GB/T 6183.1 M8	12
11	10004383	Right extension rail	1
12	00002512	Bolt GB/T 5782 M10×70	4
13	00002572	Nut GB/T 6183.1 M10	10
14	00001033	Nut GB/T 6182 M6	9
15	10004170	Catch clip	1
16	00000620	Washer GB/T 97.1 6	1
17	00000619	Bolt GB/T 5783 M6×25	1
18		Platform locking device assembly (refer to 305.1)	1
19	10000376	Bumper	2
20	00001173	Screw GB/T 70.2 M5×20	3
21	00000684	Bolt GB/T 5783 M10×35	4
22	10004108	Locating plate 1	1
23	10004205	Lock tooth seat	1
24	10004206	Lock tooth	1
25	00000838	Screw GB/T 70.3 M8×25	2
26	10004201	Lock seat	1
27	00002059	Bolt GB/T 5783 M12×30	2
28	00002576	Nut GB/T 6183.1 M12	2
29	10004359	Extension deck weldment	1

304.1 Platform Extension Assembly

Item	Part No.	Description	Qty.
30	10004358	Platform extension deck plate 1	1
31	10004344	Rubber plate	1
32	00002578	Nut GB/T 6183.1 M16	1
33		Roller assembly (refer to 306.1)	2
34	00001026	Bolt GB/T 5782 M8×80	6
35		Side roller assembly (refer to 303.1)	4
36	00002599	Bolt GB/T 5782 M6×65	8
37	10004207	Washer	2
38	00001295	Bearing GB/T 276-1994 - 6204	4
39	10004202	Roller	2
40	10004203	Roller bracket	1
41	10004204	Pin	1
42	10004387	Locating plate 2	1
43	10000396	Lock pin	1
44	00000607	Screw GB/T 818 M5×12 - H	1
45	10004374	Platform extension deck plate 2	1
46	00001991	Rivet GB/T 12618.4 4.8×16	47
47	50001717	Rail spacer	2
48	00002312	Bolt GB/T 5782 M6×45	2
49	00002574	Nut GB/T 6183.1 M6	10
50	10004174	Inserted pin	2
51	10004379	Left extension rail	1
52	10004382	Inserted pin rod	2
53	00002392	Screw GB/T 70.1 M5×40	2
54	10004120	Lock pin	2
55	00002865	Bolt QC/T 340 M6×14	4

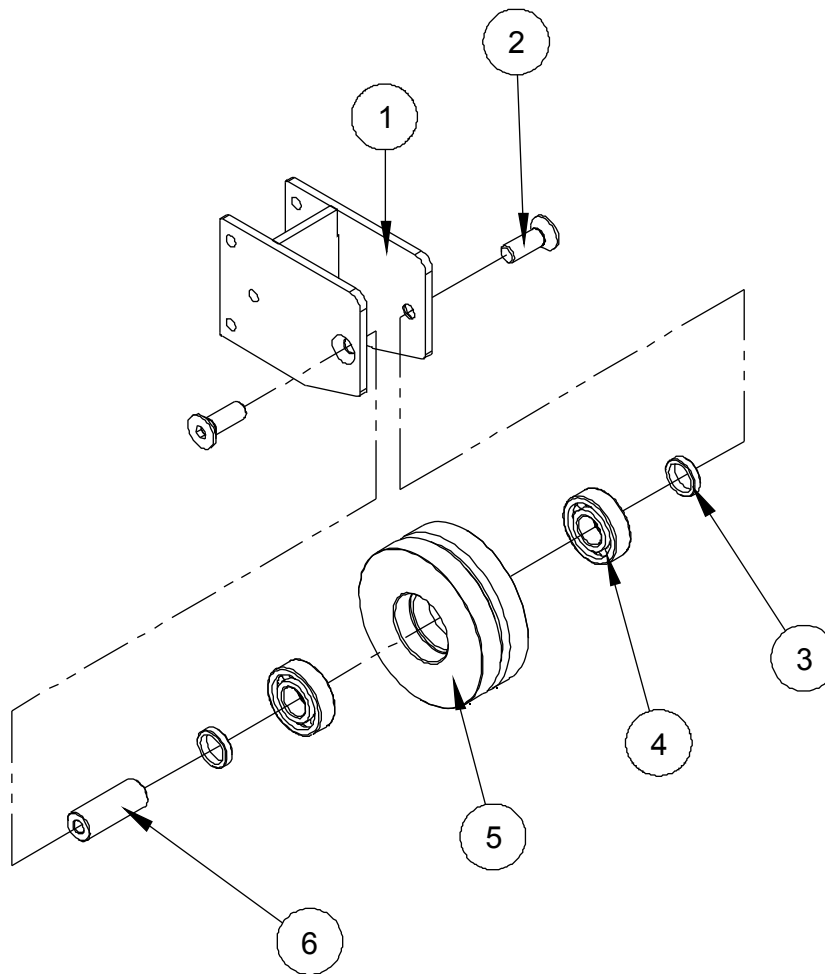
305.1 Platform Locking Device Assembly



305.1 Platform Locking Device Assembly

Item	Part No.	Description	Qty.
1	10004389	Tie rod weldment	1
2	00000603	Bolt GB/T 5782 M10×55	1
3	10004394	Connection rod	1
4	00002512	Bolt GB/T 5782 M10×70	4
5	10004137	Roller bracket	1
6	00001295	Bearing GB/T 276-1994 - 6204	2
7	10004202	Roller	1
8	00000413	893-20050 Pin	1
9	00002572	Nut GB/T 6183.1 M10	2
10	10004306	Handle bushing	1
11	10004304	Handle	1
12	10004309	Cover	2

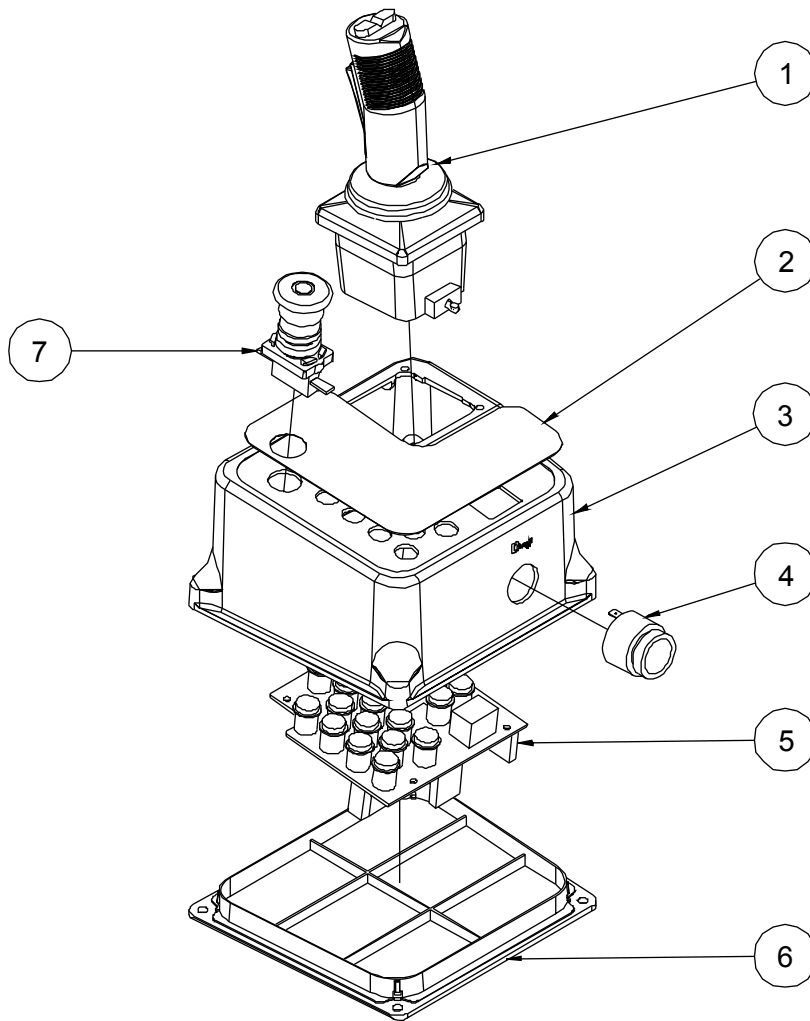
306.1 Roller Assembly



306.1 Roller Assembly

Item	Part No.	Description	Qty.
1	10004284	Roller bracket	1
2	00000846	Screw GB/T 70.3 M10×25	2
3	10004178	Washer	2
4	00001295	Bearing GB/T 276-1994 - 6204	2
5	10004177	Roller	1
6	10004179	Pin	1

307.1 Platform Control Box Assembly

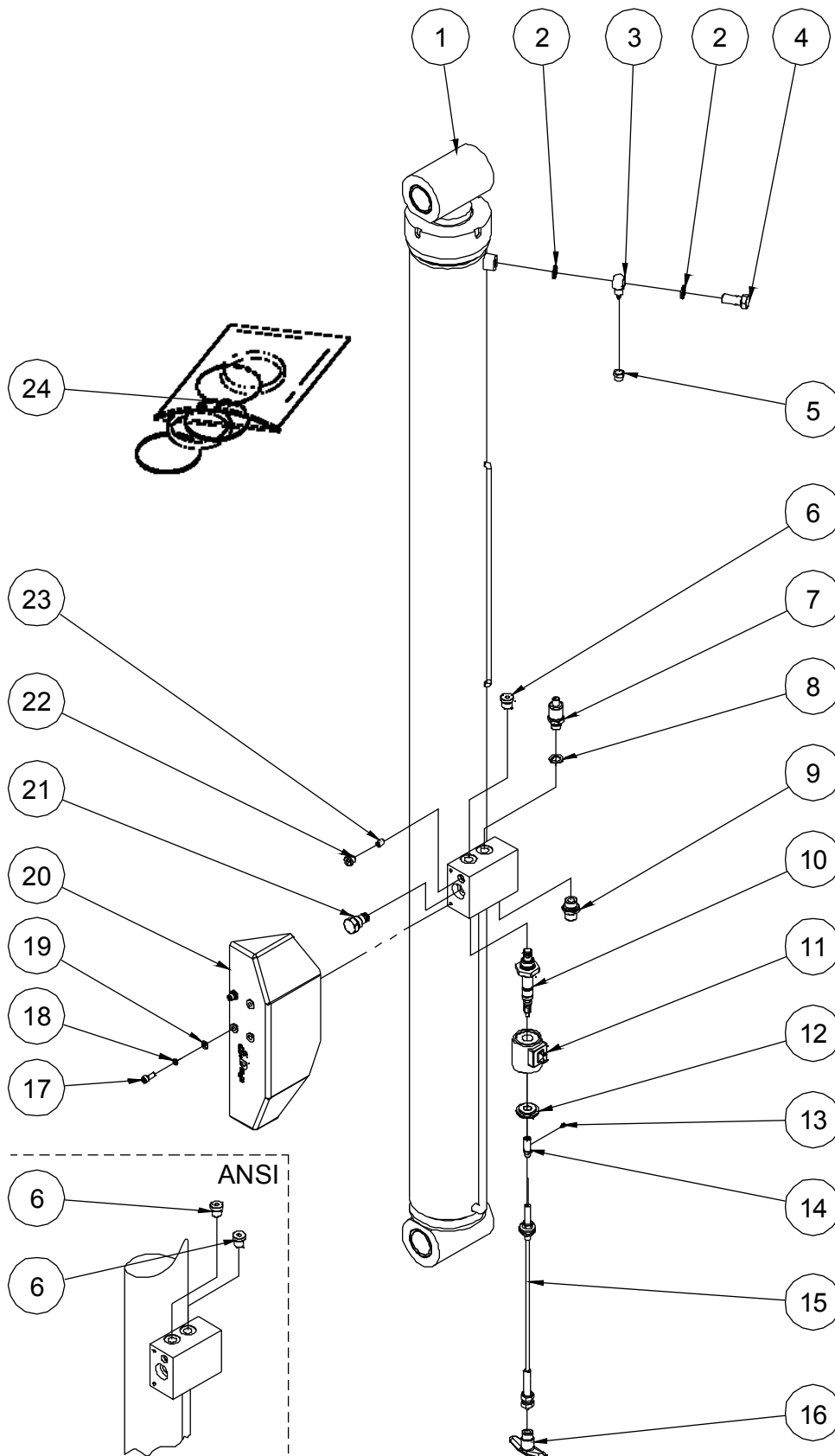


307.1 Platform Control Box Assembly

Item	Part No.	Description	Qty.
1	00004358	Joystick	1
2	09140017	Decal, Platform control panel	1
3	00004356	Enclosure	1
4	00000712	Alarm	1
5	00004357	Main board	1
6	00004355	Cover bottom	1
7	00000713	Emergency stop switch	1

Section 4 Hydraulic System

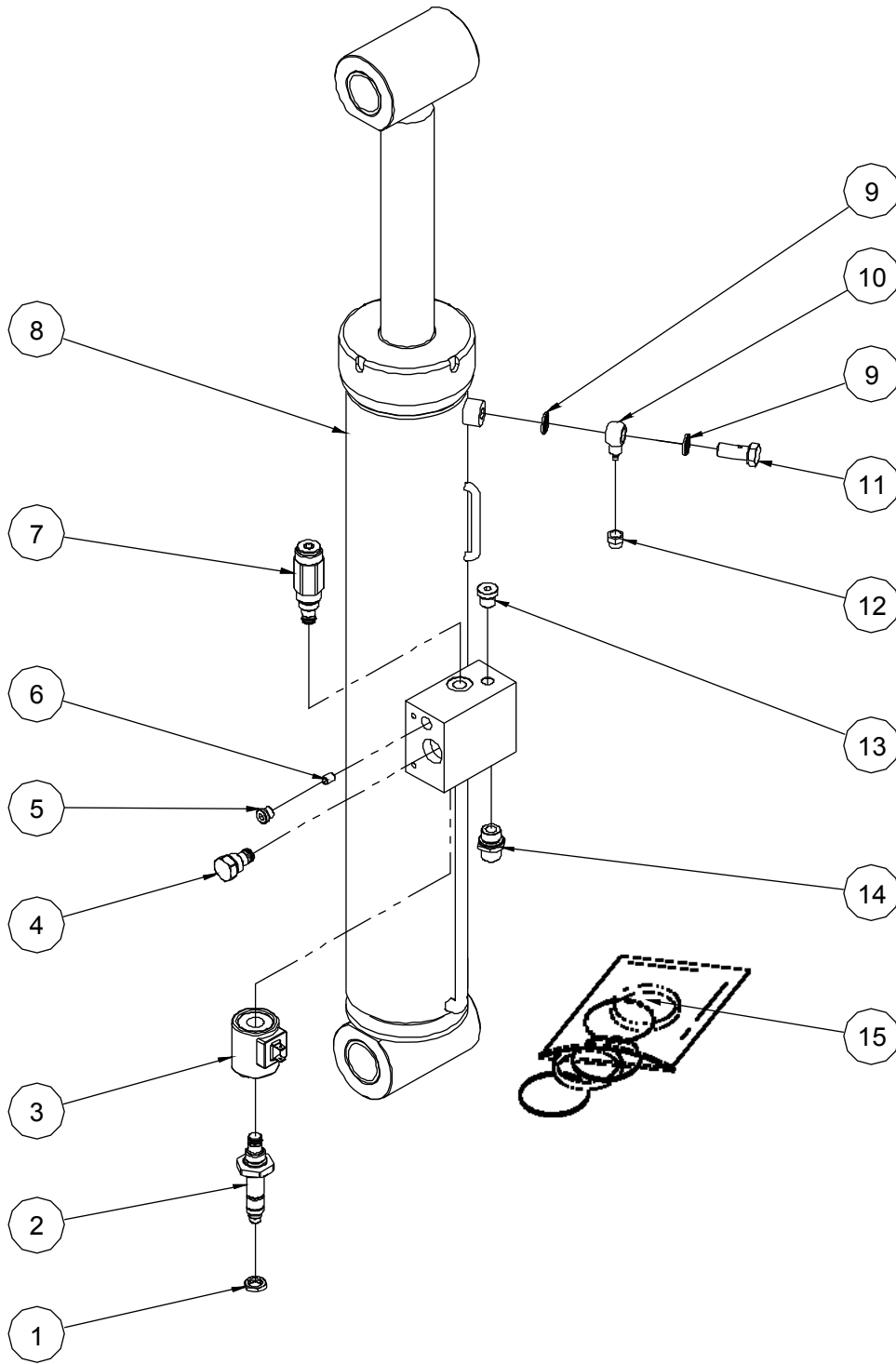
401.1 Lower Lift Cylinder Assembly



401.1 Lower Lift Cylinder Assembly

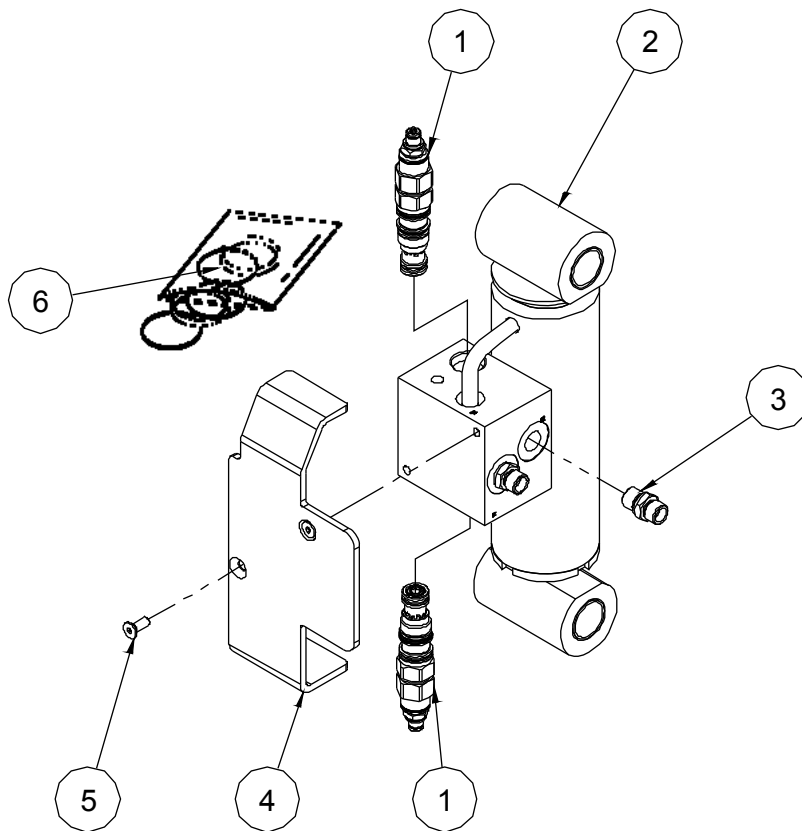
Item	Part No.	Description	Qty.
1	10002839	Lower lift cylinder	1
2	00002519	Washer BS/A 13.74	2
3	10000465	Fitting	1
4	10000464	Fitting	1
5	10000462	Nut	1
6	00001073	Plug VST114×1.5ED	1
7	00002418	Pressure sensor	1
8	00002518	Washer JB/T 982 13	1
9	00001262	Straight fitting	1
10	00003022	Solenoid valve spool	1
11	00003668	Coil	1
12	00003020	Nut	1
13	00001054	Screw GB/T 70.1 M4×12	1
14	10000413	Cable connector	1
15	10002910	Emergency down cable assembly	1
16	10000410	Lowering knob JB/T 7274.6 BM5×70	1
17	00000876	Screw GB/T 70.1 M6×16	2
18	00000621	Washer GB/T 93 6	2
19	00000620	Washer GB/T 97.1 6	2
20	10000431	Valve cover	1
21	10000404	Check valve	1
22	00002998	Plug SAE4	1
23	00005213	Orifice 3/8-16-Φ1.8	1
24	00003617	Seal kit	1

402.1 Upper Lift Cylinder Assembly (SC1218-AWD)



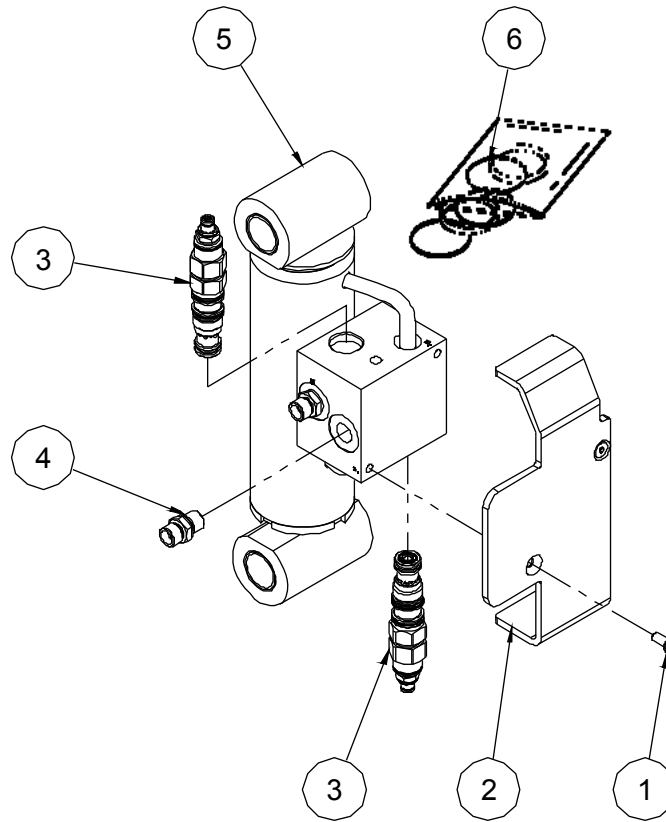
402.1 Upper Lift Cylinder Assembly (SC1218-AWD)

Item	Part No.	Description	Qty.
1	00003017	Nut	1
2	00004686	Solenoid valve spool	1
3	00004688	Coil	1
4	10000404	Check valve	1
5	00002998	Plug SAE4	1
6	00003578	Orifice $\Phi 0.8$	1
7	10000086	Relief valve	1
8	10002890	Upper lift cylinder	1
9	00002519	Washer BS/A 13.74	2
10	10000465	Fitting	1
11	10000464	Fitting	1
12	10000462	Nut	1
13	00001073	Plug VSTI14×1.5ED	1
14	00001262	Straight fitting	1
15	00003618	Seal kit	1

403.1 Left Oscillate Cylinder Assembly**403.1 Left Oscillate Cylinder Assembly**

Item	Part No.	Description	Qty.
1	00003373	Counterbalance valve spool	2
2	10002833	Left oscillate cylinder	1
3	00001282	Straight fitting	2
4	10002856	Protect cover	1
5	00000830	Screw GB/T 70.3 M6×16	2
6	00003620	Seal kit	1

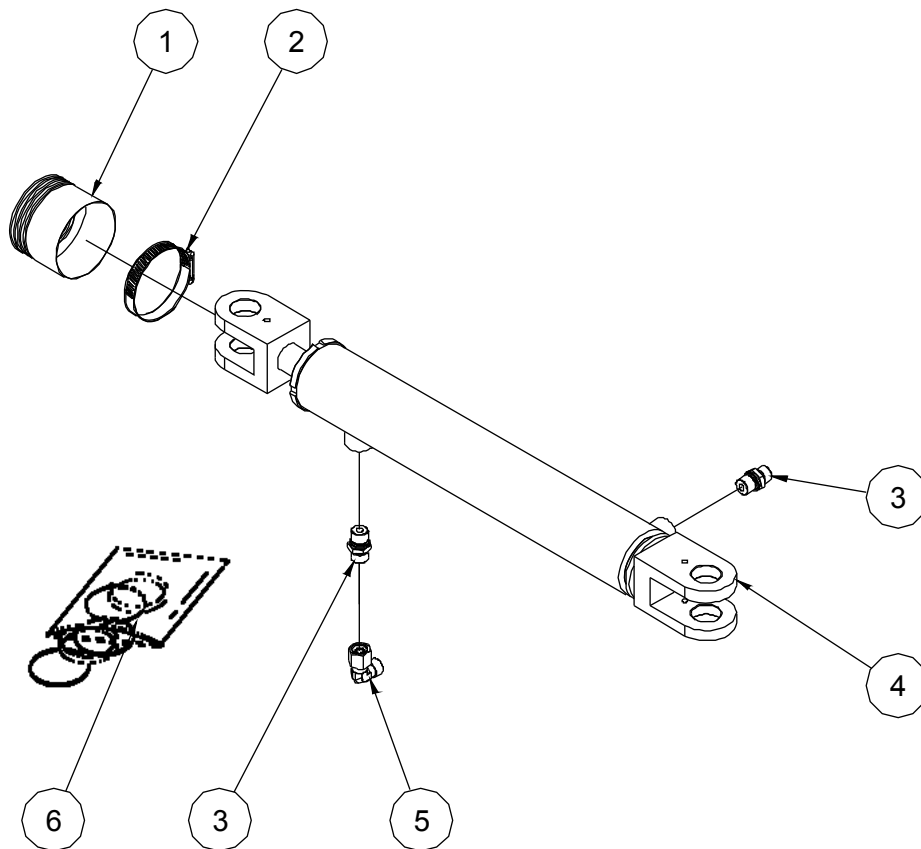
404.1 Right Oscillate Cylinder Assembly



404.1 Right Oscillate Cylinder Assembly

Item	Part No.	Description	Qty.
1	00000830	Screw GB/T 70.3 M6×16	2
2	10002857	Protect cover	1
3	00003373	Counterbalance valve spool	2
4	00001282	Straight fitting	2
5	10002903	Right oscillate cylinder	1
6	00003620	Seal kit	1

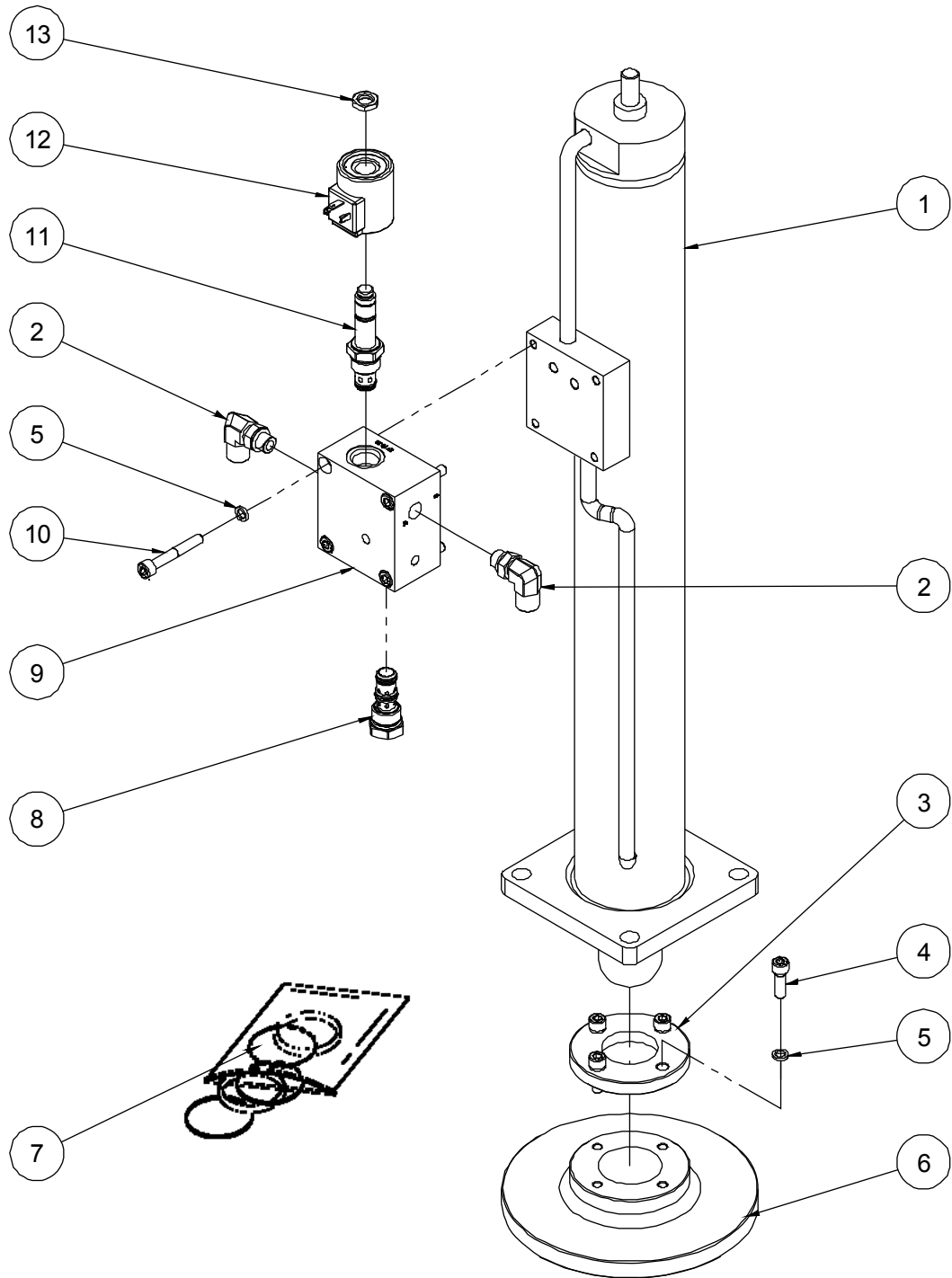
405.1 Steer Cylinder Assembly



405.1 Steer Cylinder Assembly

Item	Part No.	Description	Qty.
1	10005460	Dustproof sleeve	1
2	00003623	Clamp	1
3	00001282	Straight fitting	2
4	10002831	Steer cylinder	1
5	00001832	Elbow	1
6	00003619	Seal kit	1

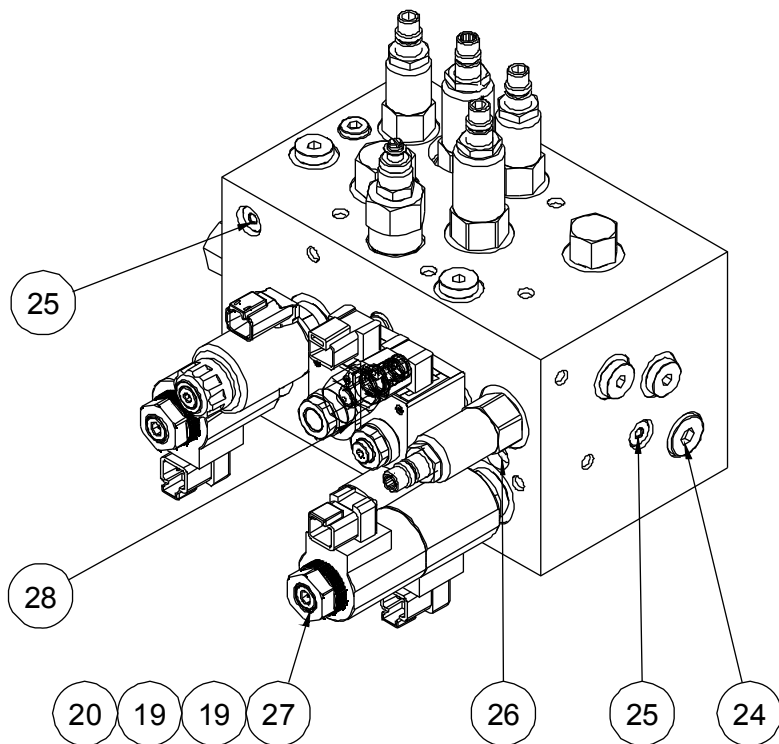
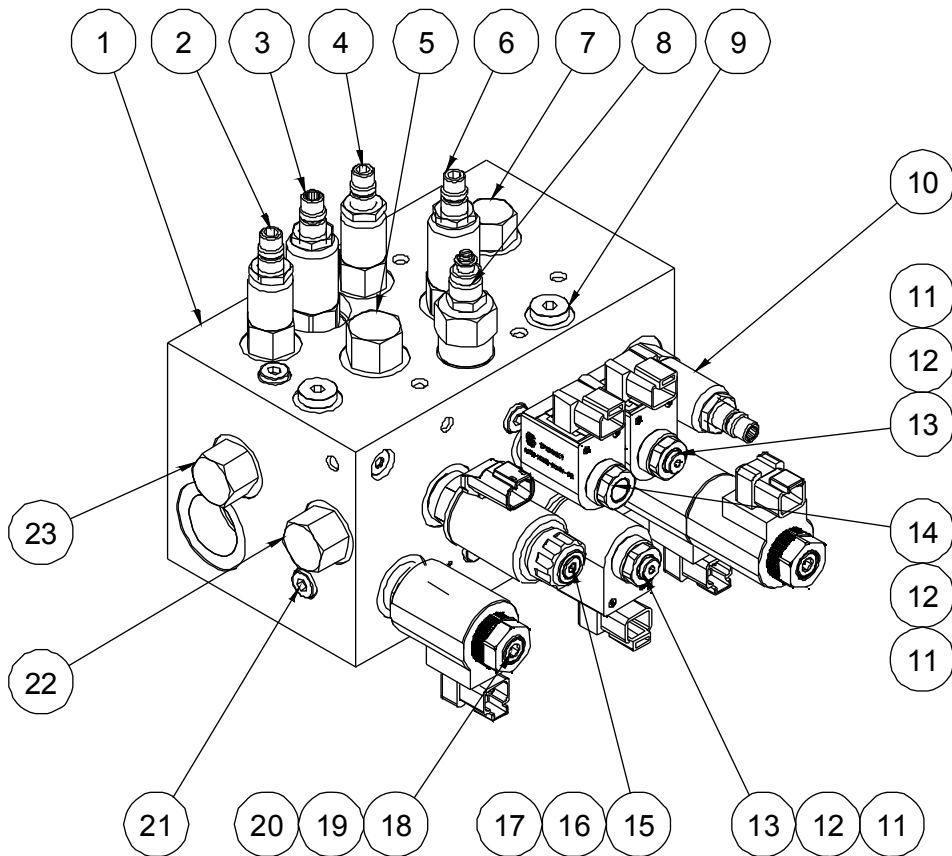
406.1 Outrigger Cylinder Assembly (Option)



406.1 Outrigger Cylinder Assembly (Option)

Item	Part No.	Description	Qty.
1	10002837	Outrigger cylinder	1
2	00003613	Elbow	2
3	10002867	Retainer	1
4	00002555	Screw GB/T 70.1 M8×25	4
5	00000609	Washer GB/T 93 8	8
6	10002866	Outrigger footpad	1
7	00003621	Seal kit	1
8	00003281	Pilot-operated check valve	1
9	00003279	Valve body	1
10	00003136	Screw GB/T 70.1 M8×55	4
11	00003280	Solenoid valve spool	1
12	00003287	Coil	1
13	00003017	Nut	1

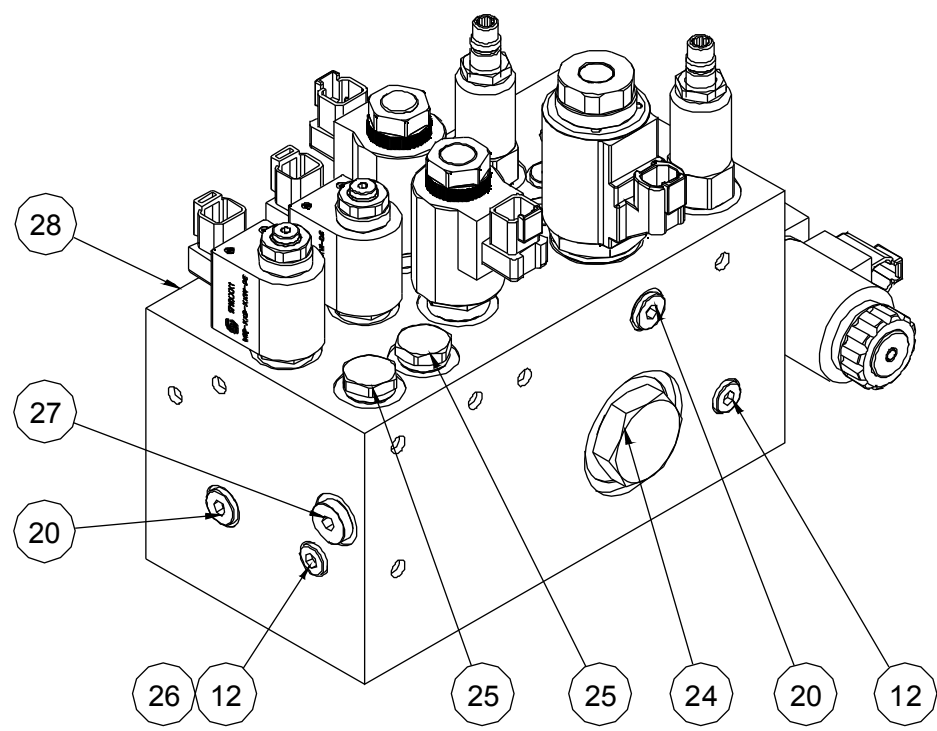
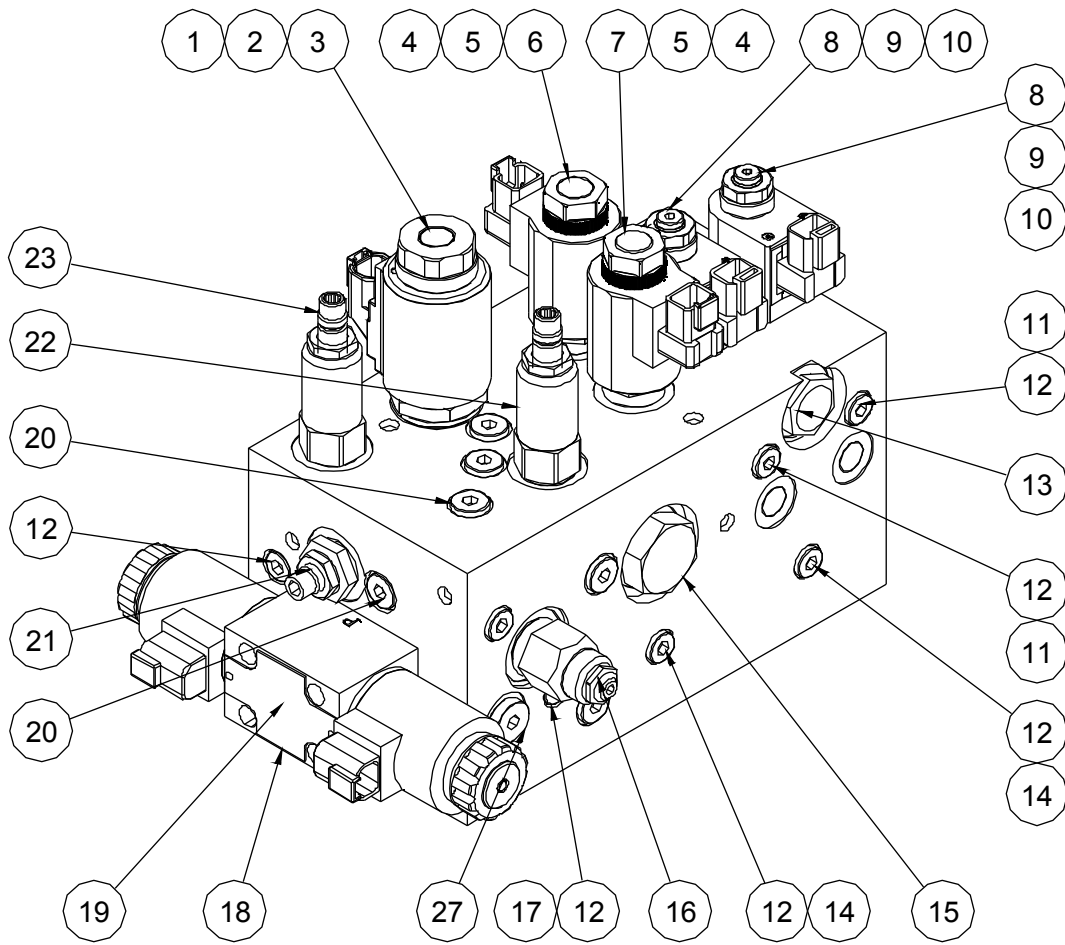
407.1 Function Manifold



407.1 Function Manifold

Item	Part No.	Description	Qty.
1	00003285	Valve body	1
2	00003295	Relief valve (R2)	1
3	00003293	Relief valve (R1)	1
4	00004595	Relief valve (R3)	1
5	00003306	Logic element (Y)	1
6	00003299	Sequence valve (K)	1
7	00003298	Flow control valve (B)	1
8	00003305	Flow control valve (G)	1
9	00001073	Plug VST114×1.5ED	4
10	00003297	Relief valve (R4)	1
11	00003352	Nut	3
12	00003320	Coil	3
13	00003301	Solenoid valve spool (S4)	2
14	00003300	Solenoid valve spool (S7)	1
15	00003304	Proportional valve (D)	1
16	00003317	Coil	1
17	00003355	Nut	1
18	00003302	Solenoid valve spool (S2)	1
19	00003319	Coil	3
20	00003353	Nut	2
21	00002998	Plug SAE4	6
22	00003294	Flow control valve (H)	1
23	00003292	Logic element (A)	1
24	00003351	Plug SAE8	1
25	00003290	Check valve (C2)	2
26	00003291	Shuttle valve (I)	1
27	00003303	Solenoid valve spool (S1)	1
28	00003296	Flow control valve (Z)	1

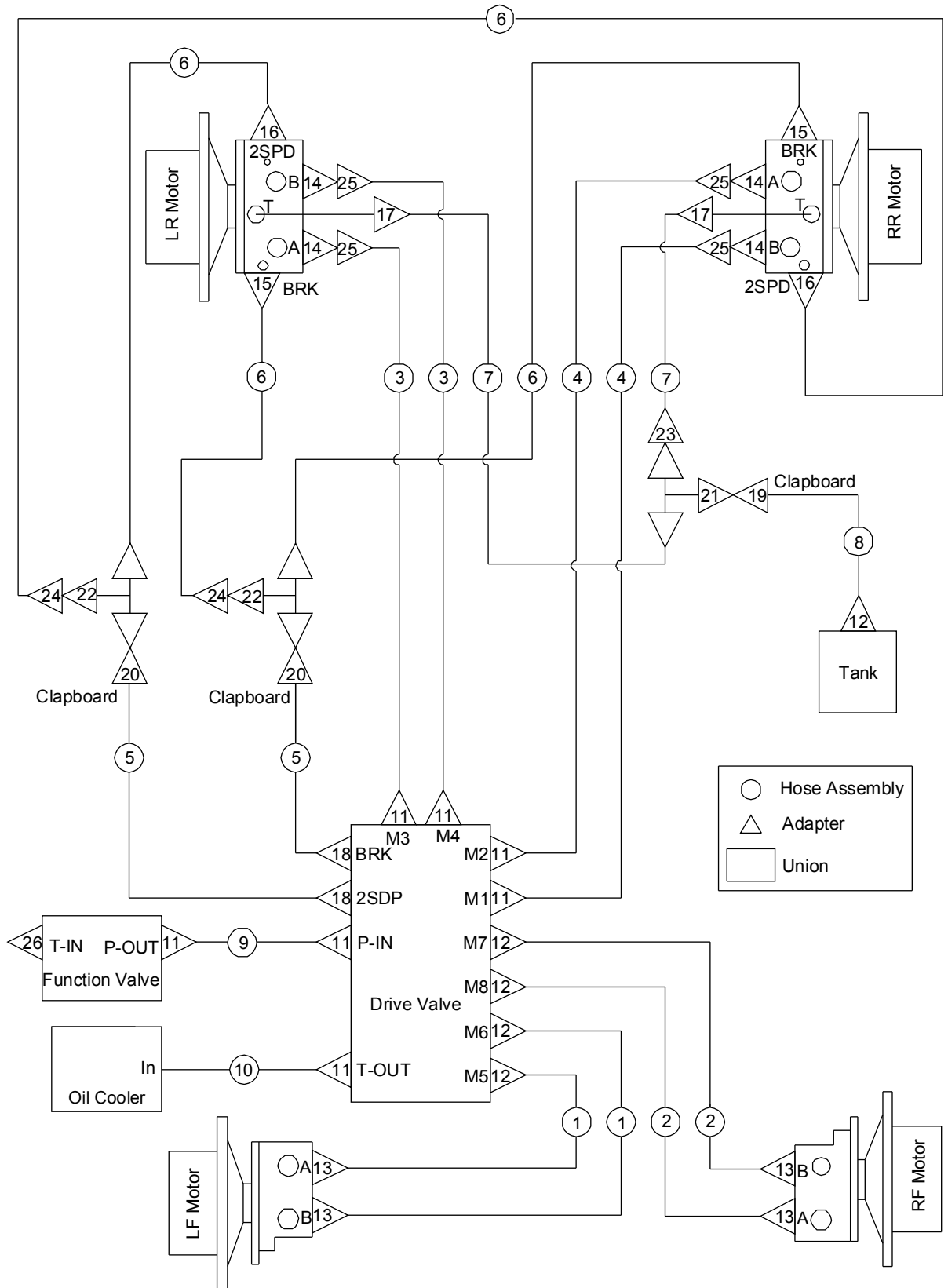
408.1 Drive Manifold



408.1 Drive Manifold

Item	Part No.	Description	Qty.
1	00003354	Nut	1
2	00003318	Coil	1
3	00003316	Solenoid valve spool (S8)	1
4	00003353	Nut	2
5	00003319	Coil	2
6	00003599	Solenoid valve spool (S10)	1
7	00003315	Solenoid valve spool (S9)	1
8	00003301	Solenoid valve spool (S5)	2
9	00003320	Coil	2
10	00003352	Nut	2
11	00003360	Orifice M6×1_Φ0.8 (X1)	2
12	00002998	Plug SAE4	9
13	00003310	Flow divider/combiner valve (N)	1
14	00000274	Orifice M8×1_Φ0.75 (X4)	2
15	00003312	Flow divider/combiner valve (M)	1
16	00003313	Counterbalance valve spool (F)	1
17	00003592	Orifice M8×1_Φ1.0 (X6)	1
18	00003321	Directional control valve (E)	1
19	00003362	Screw GB/T 70.1 M5×45	4
20	00003361	Plug SAE6	8
21	00003309	Throttle valve (L)	1
22	00003308	Relief valve (R5)	1
23	00003311	Pressure reducing valve (J)	1
24	00003307	Flow divider/combiner valve (T)	1
25	00003589	Check valve (C4)	2
26	00003439	Orifice M8×1_Φ1.2 (X3)	1
27	00001073	Plug VST114×1.5ED	2
28	00003289	Valve body	1

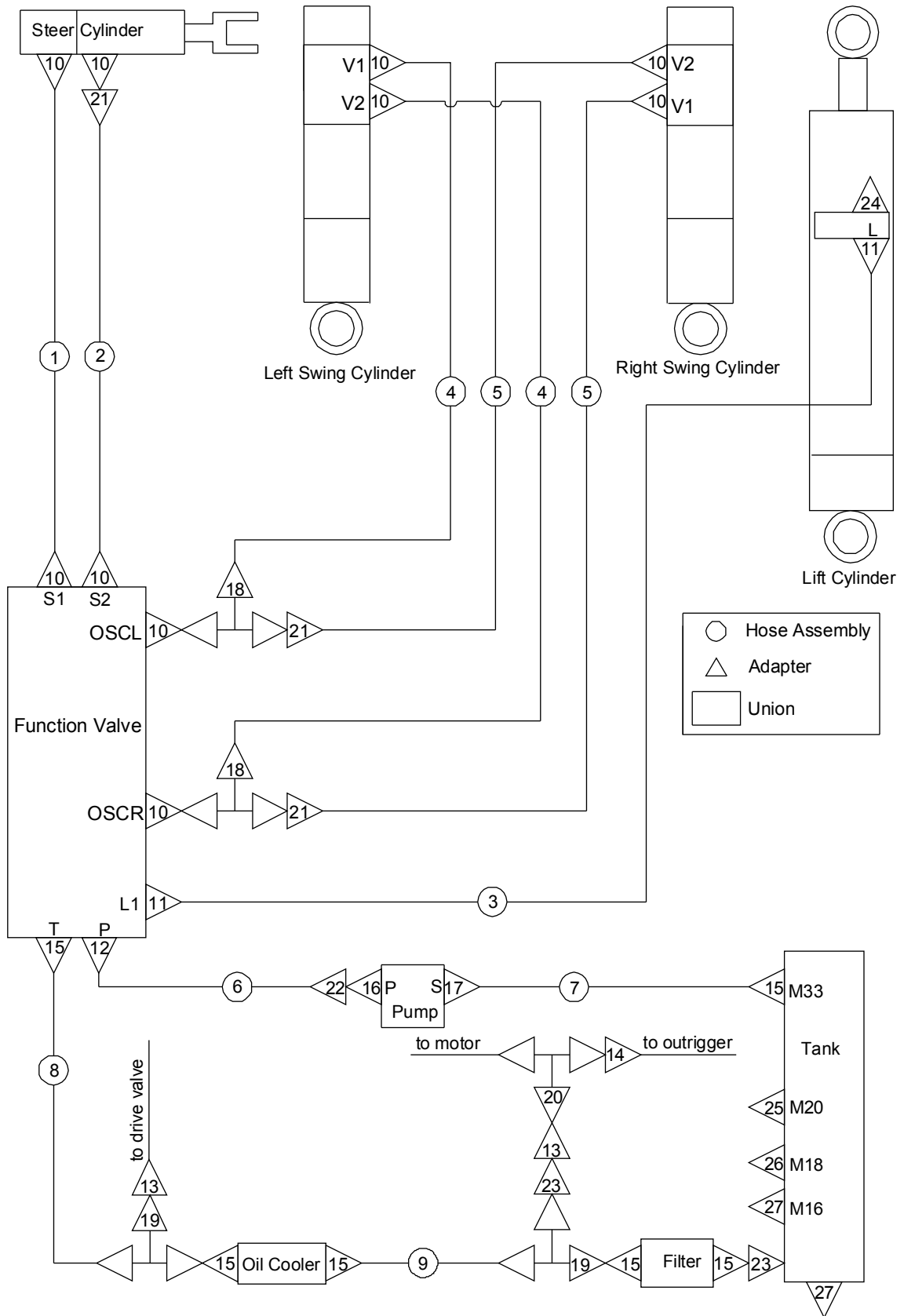
409.1 Hydraulic Hoses and Fittings-Drive



409.1 Hydraulic Hoses and Fittings-Drive

Item	Part No.	Description	Qty.
1	00003629	Hose assembly	1
2	00003630	Hose assembly	1
3	00003631	Hose assembly	1
4	00003632	Hose assembly	1
5	00002287	Hose assembly	1
6	00003633	Hose assembly	1
7	00003634	Hose assembly	1
8	00003635	Hose assembly	4
9	00003636	Hose assembly	3
10	00003637	Hose assembly	1
11	00001266	Straight fitting	2
12	00001262	Straight fitting	2
13	00001772	Straight fitting	1
14	00002073	Straight fitting	1
15	00003585	Straight fitting	2
16	00002072	Straight fitting	2
17	00001775	Straight fitting	2
18	00001282	Straight fitting	2
19	00002138	Straight fitting	1
20	00002135	Straight fitting	2
21	00001240	Tee fitting	1
22	00001237	Tee fitting	2
23	00001835	Elbow	1
24	00001832	Elbow	2
25	00001841	Elbow	4
26	00001077	Plug VST122×1.5ED	1

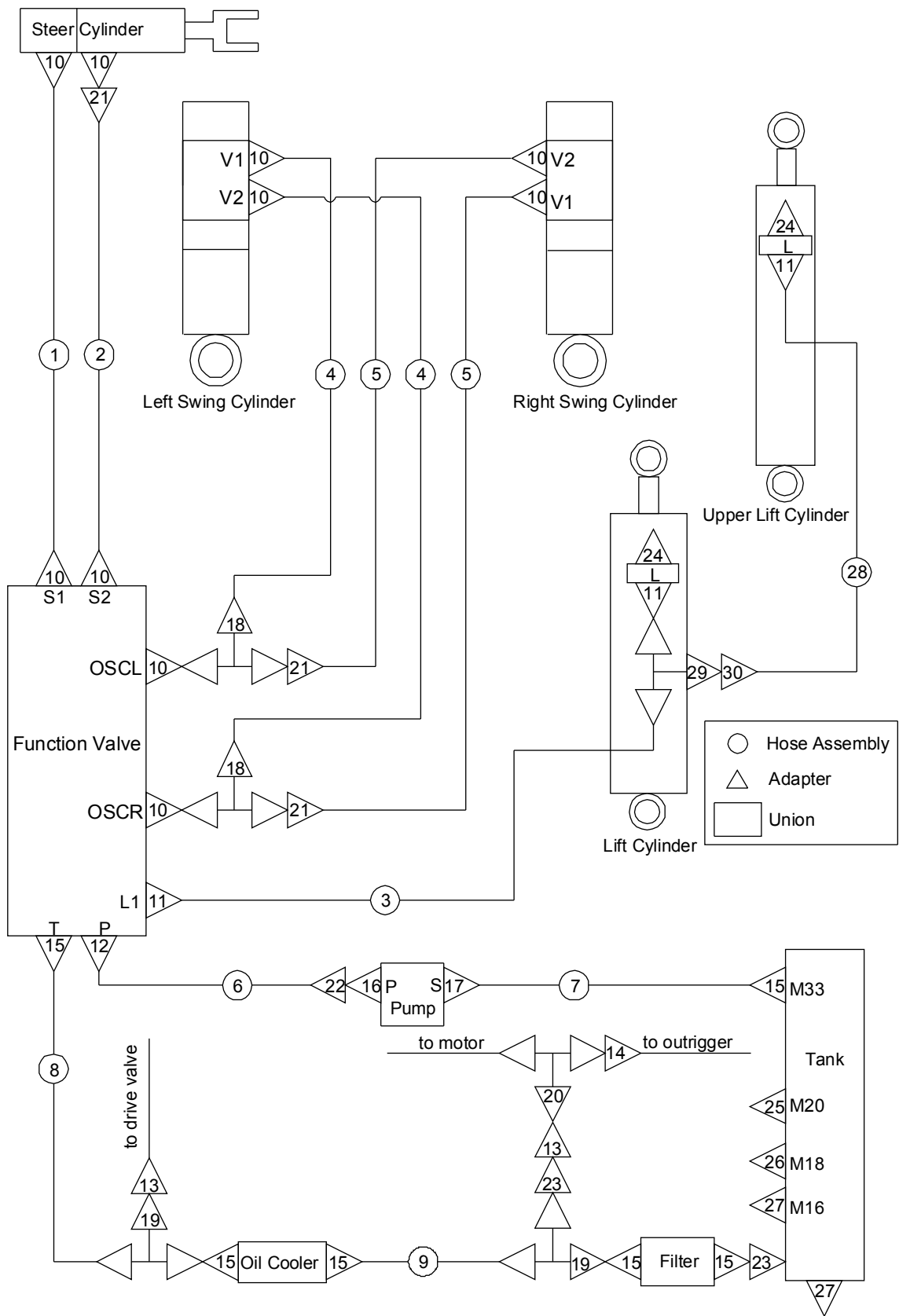
410.1 Hydraulic Hoses and Fittings-Function (SC1018-AWD)



410.1 Hydraulic Hoses and Fittings-Function (SC1018-AWD)

Item	Part No.	Description	Qty.
1	00003638	Hose assembly	1
2	00003639	Hose assembly	1
3	00003640	Hose assembly	1
4	00003641	Hose assembly	2
5	00003642	Hose assembly	2
6	00003643	Hose assembly	1
7	00003644	Hose assembly	1
8	00003645	Hose assembly	1
9	00003646	Hose assembly	1
10	00001282	Straight fitting	10
11	00001262	Straight fitting	2
12	00001266	Straight fitting	1
13	00003584	Straight fitting	2
14	00003583	Straight fitting	1
15	00002071	Straight fitting	6
16	00001776	Straight fitting	1
17	00003375	Straight fitting	1
18	00001237	Tee fitting	2
19	00001242	Tee fitting	2
20	00001240	Tee fitting	1
21	00001832	Elbow	3
22	00001835	Elbow	1
23	00001837	Elbow	2
24	00001073	Plug VSTI14×1.5ED	1
25	00001076	Plug VSTI20×1.5ED	1
26	00001075	Plug VSTI18×1.5ED	1
27	00001074	Plug VSTI16×1.5ED	2

411.1 Hydraulic Hoses and Fittings-Function (SC1218-AWD)



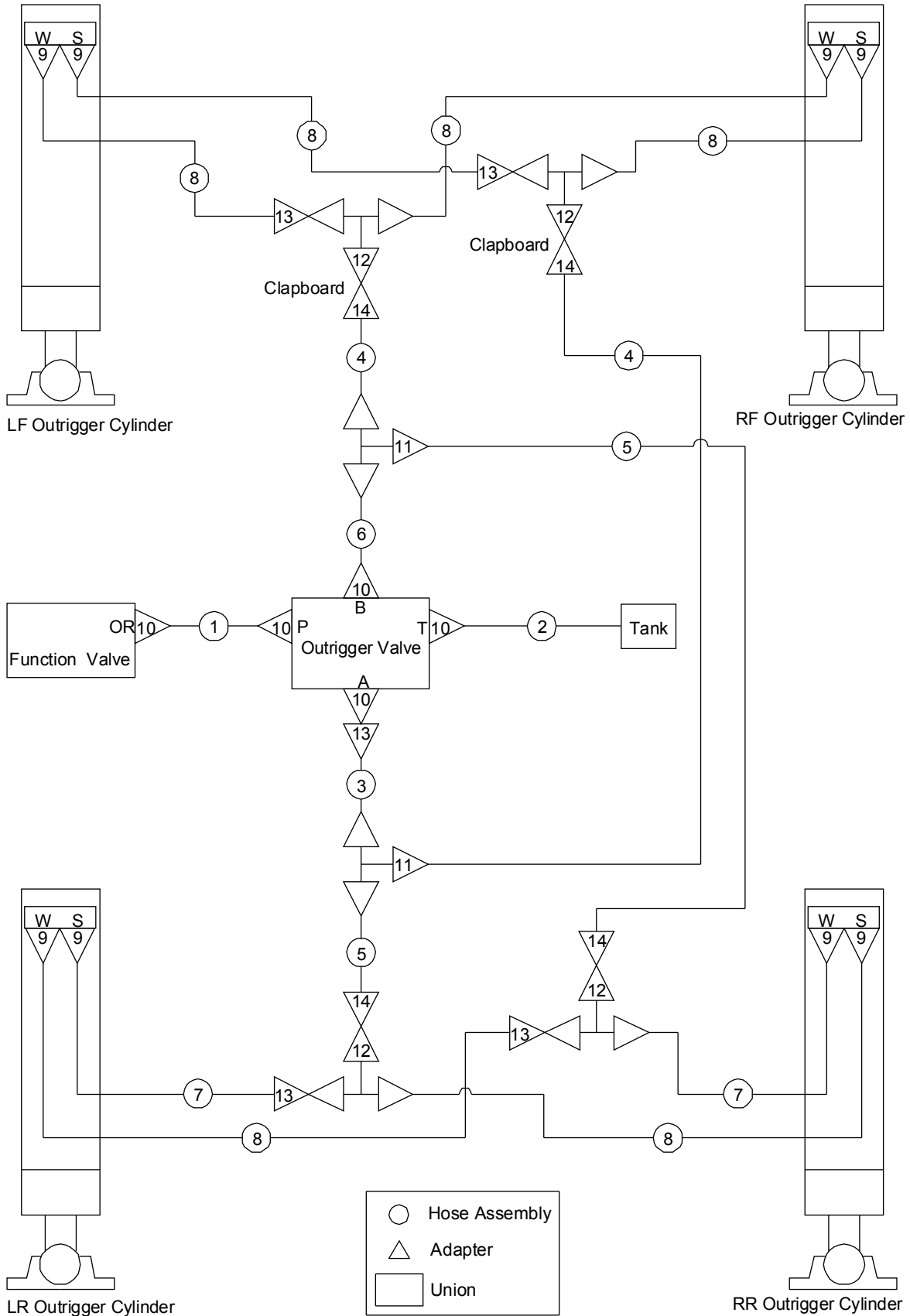
411.1 Hydraulic Hoses and Fittings-Function (SC1218-AWD)

Item	Part No.	Description	Qty.
1	00003638	Hose assembly	1
2	00003639	Hose assembly	1
3	00003640	Hose assembly	1
4	00003641	Hose assembly	2
5	00003642	Hose assembly	2
6	00003643	Hose assembly	1
7	00003644	Hose assembly	1
8	00003645	Hose assembly	1
9	00003646	Hose assembly	1
10	00001282	Straight fitting	10
11	00001262	Straight fitting	3
12	00001266	Straight fitting	1
13	00003584	Straight fitting	2
14	00003583	Straight fitting	1
15	00002071	Straight fitting	6
16	00001776	Straight fitting	1
17	00003375	Straight fitting	1
18	00001237	Tee fitting	2
19	00001242	Tee fitting	2
20	00001240	Tee fitting	1
21	00001832	Elbow	3
22	00001835	Elbow	1
23	00001837	Elbow	2
24	00001073	Plug VST114×1.5ED	2
25	00001076	Plug VST120×1.5ED	1
26	00001075	Plug VST118×1.5ED	1
27	00001074	Plug VST116×1.5ED	2
28	00003656	Hose assembly	1
29	00001239	Tee fitting	1

411.1 Hydraulic Hoses and Fittings-Function (SC1218-AWD)

Item	Part No.	Description	Qty.
30	00001834	Elbow	1

412.1 Hydraulic Hoses and Fittings-Outrigger

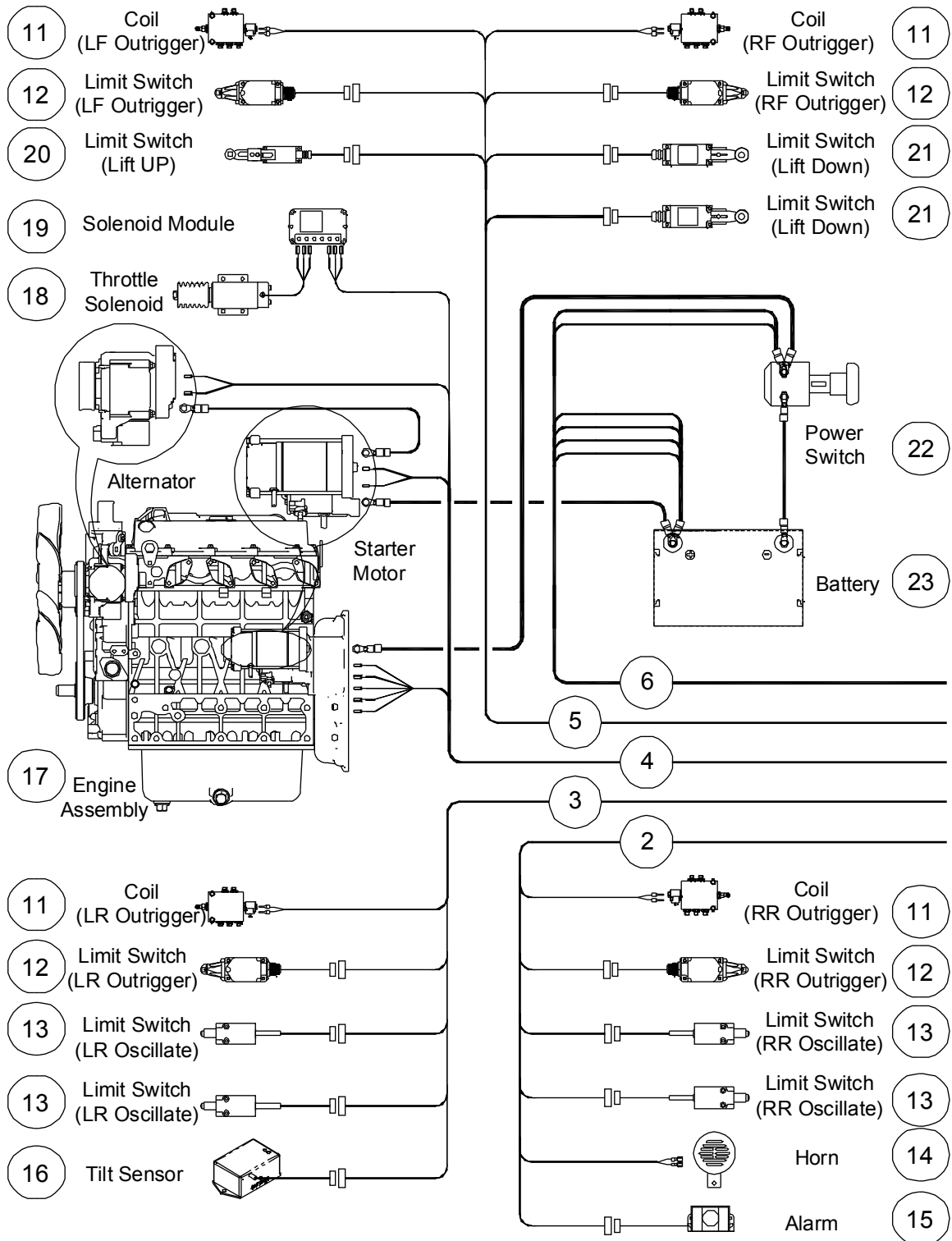


412.1 Hydraulic Hoses and Fittings-Outrigger

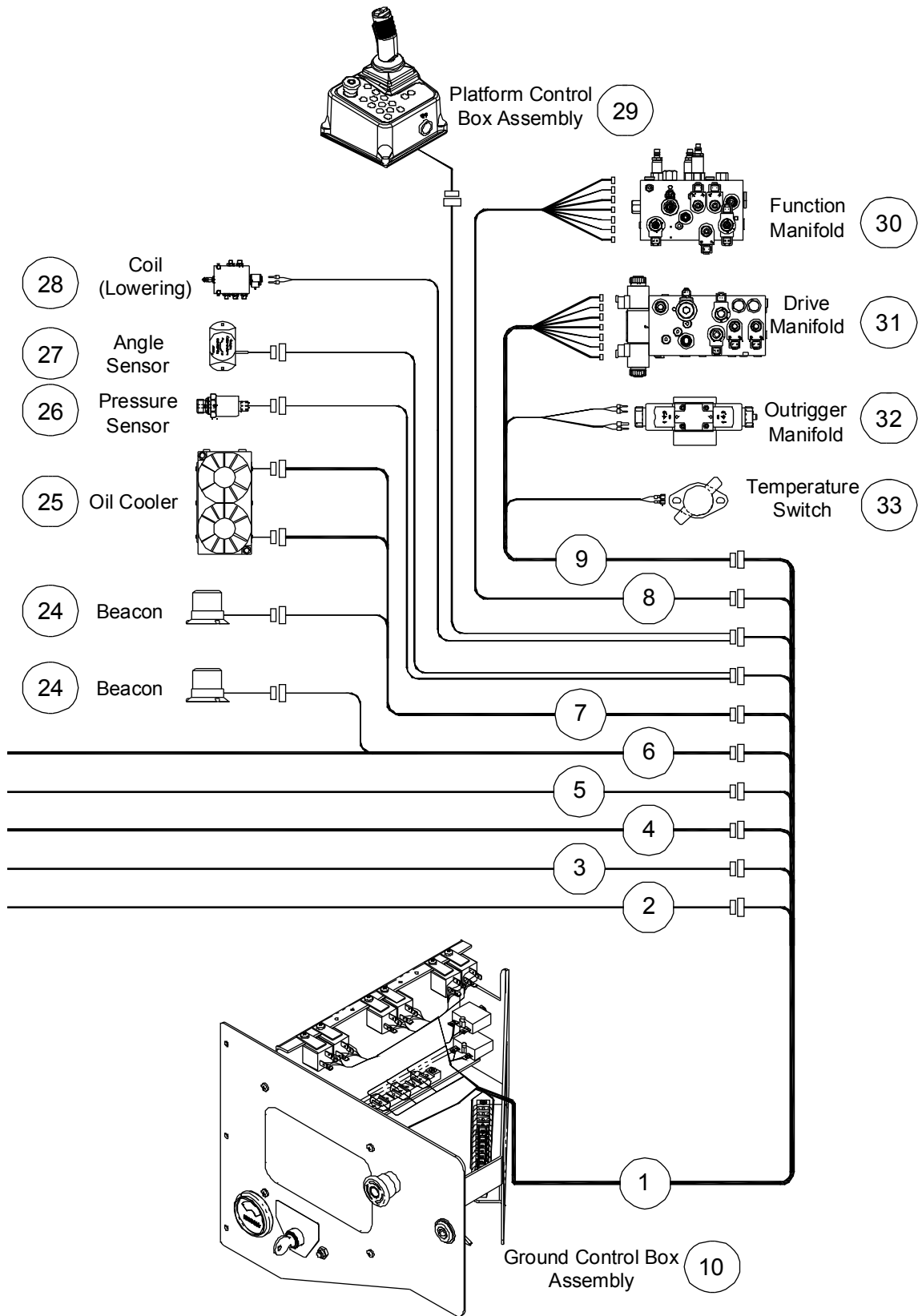
Item	Part No.	Description	Qty.
1	00003647	Hose assembly	1
2	00003648	Hose assembly	1
3	00003649	Hose assembly	1
4	00003650	Hose assembly	2
5	00003651	Hose assembly	2
6	00004585	Hose assembly	1
7	00003653	Hose assembly	2
8	00003654	Hose assembly	6
9	00003613	Elbow	8
10	00001262	Straight fitting	5
11	00002103	Tee fitting	2
12	00001239	Tee fitting	4
13	00001834	Elbow	5
14	00002137	Straight fitting	4

Section 5 Electrical System

501.1 Electrical Harness (SC1018-AWD)



501.1 Electrical Harness (SC1018-AWD)



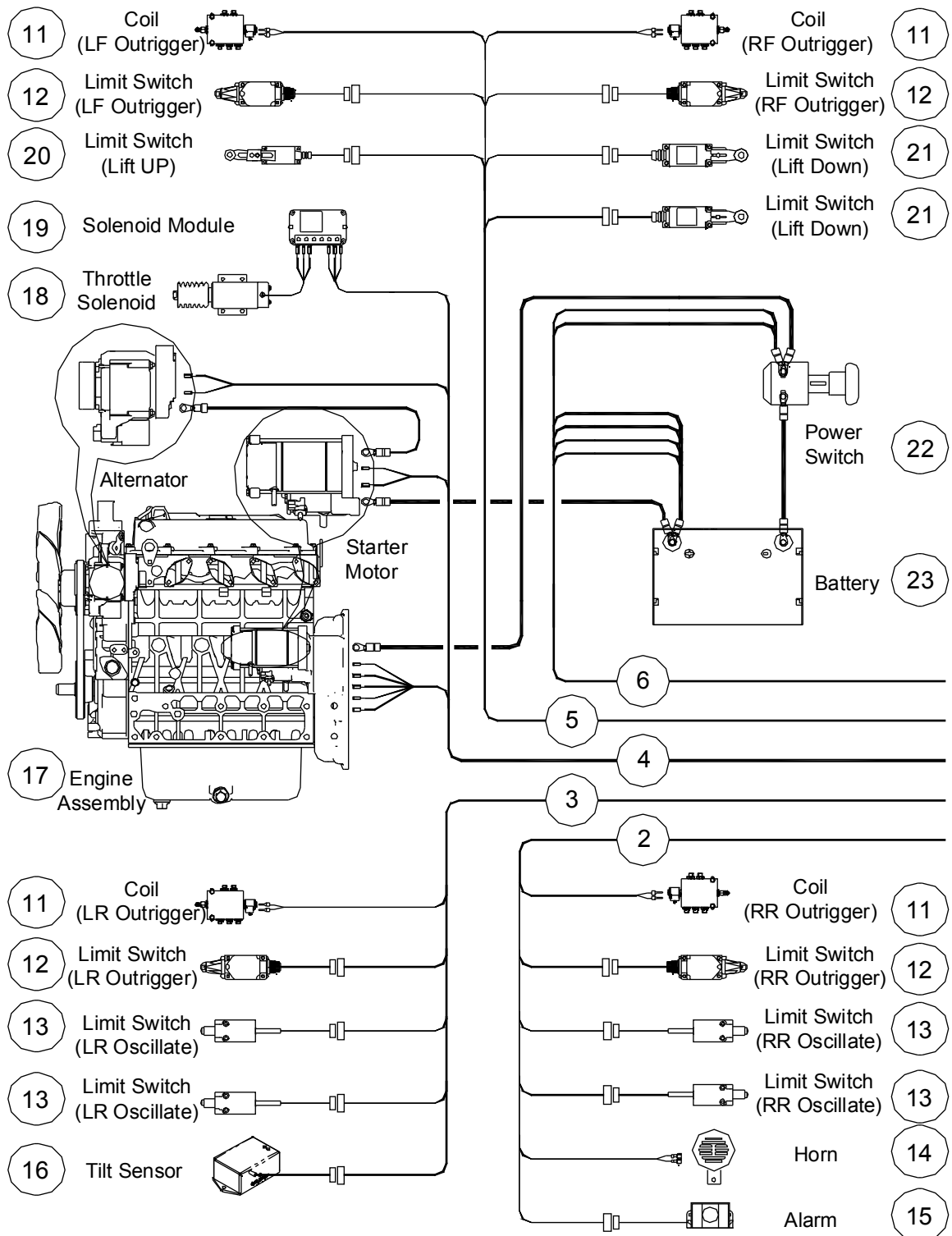
501.1 Electrical Harness (SC1018-AWD)

Item	Part No.	Description	Qty.
1	00002980	Ground control box harness	1
2	00002977	Outrigger harness 3	1
3	00002975	Outrigger harness 1	1
4	00002984	Engine harness	1
5	00002976	Outrigger harness 2	1
6	00002985	Ground control box power harness	1
7	00002981	Accessories harness	1
8	00002982	Manifold harness 2	1
9	00002983	Manifold harness 3	1
10		Ground control box assembly (refer to 101.1)	1
11		Coil (refer to 406.1)	4
12		Limit switch (refer to 123.1)	4
13		Limit switch (refer to 104.1)	4
14		Horn (refer to 125.1)	1
15		Alarm (refer to 125.1)	1
16		Tilt Sensor (refer to 125.1)	1
17		Engine (refer to 119.1)	1
18		Throttle solenoid (refer to 121.1)	1
19		Solenoid module (refer to 121.1)	1
20		Limit switch (refer to 124.1)	1
21		Limit switch (refer to 201.1)	2
22		Power switch (refer to 117.1)	1
23		Battery (refer to 117.1)	1
24		Beacon (refer to 109.1, 117.1)	2
25		Oil cooler (refer to 109.1)	1
26		Pressure sensor (refer to 401.1)	1
27		Angle sensor (refer to 201.1)	1
28		Coil (refer to 401.1)	1
29		Platform control box assembly (refer to 307.1)	1

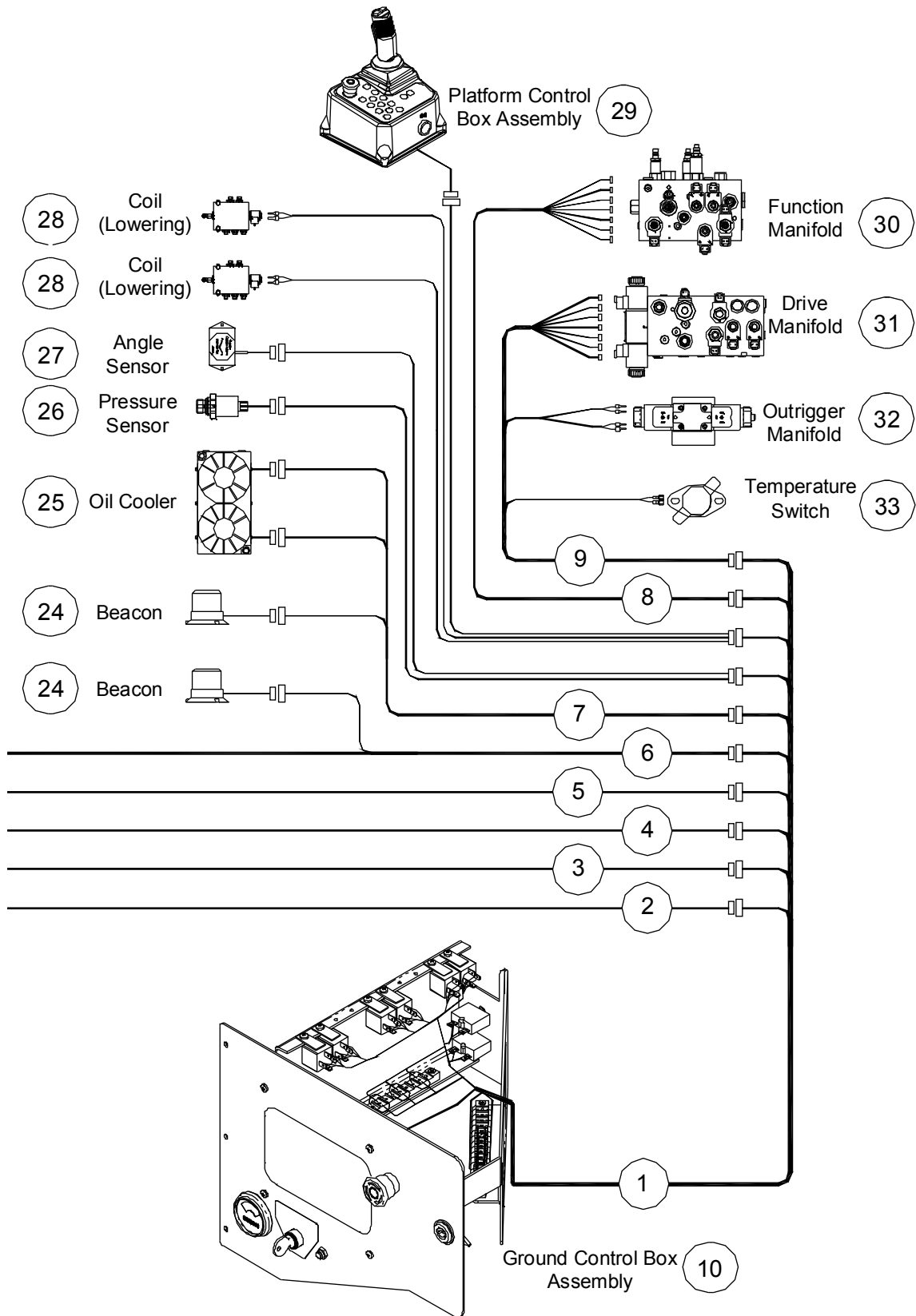
501.1 Electrical Harness (SC1018-AWD)

Item	Part No.	Description	Qty.
30		Function manifold (refer to 407.1)	1
31		Drive manifold (refer to 408.1)	1
32		Outrigger manifold (refer to 113.1)	1
33		Temperature switch (refer to 110.1)	1

502.1 Electrical Harness (SC1218-AWD)



502.1 Electrical Harness (SC1218-AWD)



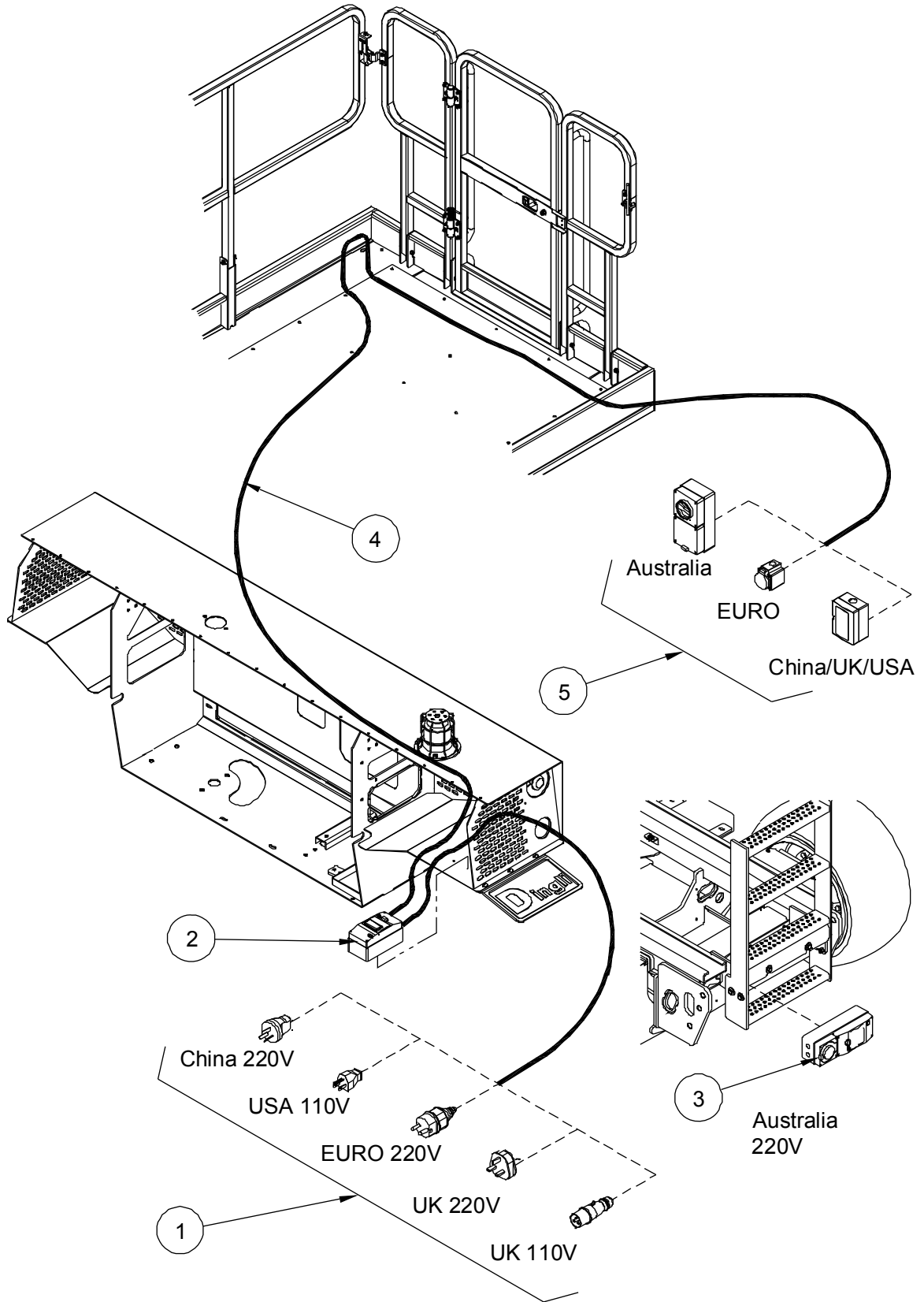
502.1 Electrical Harness (SC1218-AWD)

Item	Part No.	Description	Qty.
1	00002980	Ground control box harness	1
2	00002977	Outrigger harness 3	1
3	00002975	Outrigger harness 1	1
4	00002984	Engine harness	1
5	00002976	Outrigger harness 2	1
6	00002985	Ground control box power harness	1
7	00002981	Accessories harness	1
8	00002982	Manifold harness 2	1
9	00002983	Manifold harness 3	1
10		Ground control box assembly (refer to 101.1)	1
11		Coil (refer to 406.1)	4
12		Limit switch (refer to 123.1)	4
13		Limit switch (refer to 104.1)	4
14		Horn (refer to 125.1)	1
15		Alarm (refer to 125.1)	1
16		Tilt Sensor (refer to 125.1)	1
17		Engine (refer to 119.1)	1
18		Throttle solenoid (refer to 121.1)	1
19		Solenoid module (refer to 121.1)	1
20		Limit switch (refer to 124.1)	1
21		Limit switch (refer to 201.1)	2
22		Power switch (refer to 117.1)	1
23		Battery (refer to 117.1)	1
24		Beacon (refer to 109.1, 117.1)	2
25		Oil cooler (refer to 109.1)	1
26		Pressure sensor (refer to 401.1)	1
27		Angle sensor (refer to 201.1)	1
28		Coil (refer to 401.1, 402.1)	1
29		Platform control box assembly (refer to 307.1)	1

502.1 Electrical Harness (SC1218-AWD)

Item	Part No.	Description	Qty.
30		Function manifold (refer to 407.1)	1
31		Drive manifold (refer to 408.1)	1
32		Outrigger manifold (refer to 113.1)	1
33		Temperature switch (refer to 110.1)	1

503.1 Power to Platform

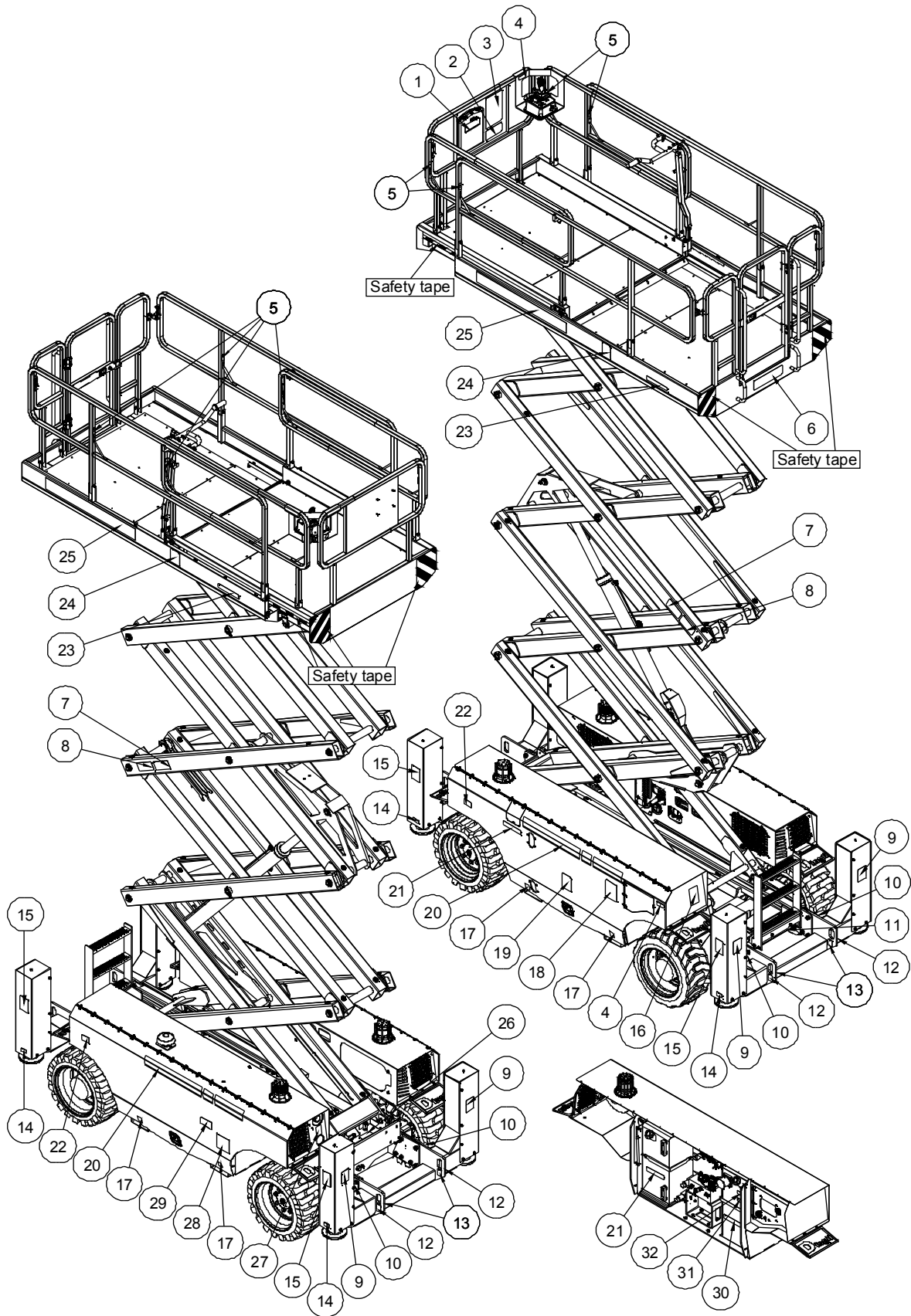


503.1 Power to Platform

Item	Part No.	Description	Qty.
1	00003148	AC plug (China 220V)	1
	00003149	AC plug (USA 110V)	1
	00003151	AC plug (European 220V)	1
	00003150	AC plug (UK 220V)	1
	00002615	AC plug (UK 110V)	1
2	00002634	Circuit breaker (Option)	1
3	00003147	AC plug (Australia 220V)	1
4	00004681	Wire cable, platform AC power (SC1018-AWD)	1
	00004682	Wire cable, platform AC power (SC1218-AWD)	1
5	00002617	AC socket (Australia)	1
	00002709	AC socket (European)	1
	00000668	AC socket (China/UK/USA)	1

Section 6 Decal

601.1 Decal



601.1 Decal

Item	Part No.	Description	Qty.
1	09340001	Decal, Notice-Keep the manual with the machine	1
2	09440119	Decal, Danger-Tip-over hazard, tilt-alarm	1
3	09440001	Decal, Danger-General safety rules	1
4	09340003	Decal, Instructions-Refer the operator to the instructions for use	2
5	09440059	Decal, Label-Lanyard anchorage point	8
6	09440073	Decal, Label-Capacity 454kg (SC1018-AWD)	1
	09440074	Decal, Label-Capacity 363kg (SC1218-AWD)	1
7	09430003	Decal, Danger-Keep away from moving parts	2
8	09430001	Decal, Danger-Safety arm	2
9	09420005	Decal, Warning-Collision hazard	4
10	09310118	Decal, Instructions-Maximum wheel load 1930kg (SC1018-AWD)	4
	09310120	Decal, Instructions-Maximum wheel load 2210kg (SC1218-AWD)	4
11	09310004	Decal, Instructions-Emergency lower	1
12	09310003	Decal, Instructions-Tie down point	4
13	09310002	Decal, Instructions-Lift point	4
14	09310122	Decal, Instructions-Maximum outrigger load 1930kg (SC1018-AWD)	4
	09310124	Decal, Instructions-Maximum outrigger load 2210kg (SC1218-AWD)	4
15	09410069	Decal, Warning-Crushing hazard, outrigger	4
16	09210015	Nameplate, Manufacturer serial number	1
17	09310001	Decal, Instructions-Forklift pockets	4
18	09410003	Decal, Warning-Inspected and operation properly	1
19	09410071	Decal, Warning-Injection hazard	1
20	09910012	Decal, Label-Cosmetic	2
21	09320003	Decal, Instructions-Diesel	2
22	09540001	Decal, Label-CE	2

601.1 Decal

Item	Part No.	Description	Qty.
23	09640070	Decal, Cosmetic-SC1018-AWD (SC1018-AWD)	2
	09640071	Decal, Cosmetic-SC1218-AWD (SC1218-AWD)	2
24	09440007	Decal, Caution-Max. manual force 400N	2
25	09940004	Decal, Label-Summit	2
26	09410005	Decal, Danger-Do not alter or disable limit switch	1
27	09310006	Decal, Notice-Main power switch operation	1
28	09410001	Decal, Danger-Explosion/burn hazard	1
29	09420011	Decal, Caution-High temperature	1
30	09310054	Decal, Instructions-Hydraulic	1
31	09310053	Decal, Instructions-Lowest oil level	1
32	09310052	Decal, Instructions-Highest oil level	1

601.1 Decal

① 09340001

NOTICE

KEEP THE OPERATION AND SAFETY MANUAL WITH THE MACHINE

④ 09340003

Refer the operator to the instructions for use.

⑦ 09430003

DANGER

Crushing Hazard

Contact with moving parts will result in death or serious injury.

Do not stand under or around platform during operation.
Keep away from moving parts.
Failure to follow these instructions could result in death or serious injury.

② 09440119

DANGER

Tip-over Hazard

The outriggers must be used when the ground angle is out of machine maximum allowed working angle.
Do not set up where it can't be levelled with outriggers.

If fit alarm sounds, until it is a safe slope. Death or serious injury could occur.

1. Lower the platform
2. Move the machine to level surface.

⑤ 09440059

Restrain only 1 Outrigger

⑧ 09430001

DANGER

Crushing Hazard

Death or serious injury can result from contact with moving scissor arms.

Don't engage safety arm unless unladen platform.
Engage safety arm before performing maintenance or repair.

③ 09440001

DANGER

Failure to read, understand and obey the operator's manual and the following safety rules will result in death or serious injury.

Improper Use Hazard

- Always perform a pre-operation inspection
- Always perform function tests prior to use
- Inspect work place
- Only use the machine as it was intended.

Do not operate unless you are properly trained to safely operate this machine or you have understood and accepted the manufacturer's instructions and safety rules.

- Operator's instructions and safety rules
- Operator's manuals and theory
- Designer's safety rules
- Production government regulations

Electrocution Hazard

This machine is not electrically insulated and will not provide protection from electrical current proximity to electrical current.

Minimum Safe Approach Distances	
Phase or phase	Minimum
0 to 250 V	1.00 m
250 V to 500 V	1.50 m
500 V to 1000 V	2.00 m
1000 V to 1500 V	2.50 m
1500 V to 2000 V	3.00 m
2000 V to 2500 V	3.50 m
2500 V to 3000 V	4.00 m
3000 V to 3500 V	4.50 m
3500 V to 4000 V	5.00 m
4000 V to 4500 V	5.50 m
4500 V to 5000 V	6.00 m
5000 V to 5500 V	6.50 m
5500 V to 6000 V	7.00 m
6000 V to 6500 V	7.50 m
6500 V to 7000 V	8.00 m
7000 V to 7500 V	8.50 m
7500 V to 8000 V	9.00 m
8000 V to 8500 V	9.50 m
8500 V to 9000 V	10.00 m
9000 V to 9500 V	10.50 m
9500 V to 10000 V	11.00 m

Tip-over Hazard

- Do not exceed rated load capacity
- Do not use platform unless machine is on a flat surface
- Avoid up-offs, toes and unstable or slippery surfaces
- Do not raise platform unless machine is on a level surface
- Do not drive machine on a slope that exceeds the maximum slope on which tested by the machine
- Do not drive the machine on or near uneven terrain, unstable surfaces or other hazardous conditions with the platform raised
- Do not push off or pull toward any object not built into the platform
- Use two-point or three-point leveling tools in any part of this machine
- Use extreme care and drive slowly while driving the machine in steep positions across uneven terrain, ruts, dips, unstable or slippery surfaces and near holes and drop-offs.

Fall Protection

Manufacturer recommends that all persons in the platform wear a full body harness with a lanyard attached to an authorized tie-off anchor point while operating this machine.

ALL PPE must comply with applicable government regulations and must be inspected and used in accordance with the manufacturer's instructions.

Fall Hazard

- Prior to operation, ensure all gates and rails are fastened and secured in their proper position on the platform to prevent rails from sliding out of position
- Platform floor at all times
- Do not climb down from the platform when raised

Crushing Hazard

- Avoid hands and limbs out of extension. Use common sense and planning when operating machine with operator from ground
- Maintain safe distances between operator, machine and electricities

Collision Hazard

- Be aware of limited sight distance and blind spots when driving or operating
- Be aware of overhead power lines, structures or other possible hazards
- Be aware of moving hazard when platform ground use
- Observe and use direction arrows on the platform
- Observe the stop and reset functions

Damaged Machine Hazard

- Do not use a damaged or malfunctioning machine
- The work of maintenance has been performed as specified in the appropriate operator's manual
- The work of checks are in place and regular
- The work safety, operator's manual is complete, legible and in the storage container located on the platform.

⑨ 09420005

WARNING

Crushing Hazard

⑩ 09310118

Maximum Wheel Load
1930 Kg

⑩ 09310120

Maximum Wheel Load
2210 kg

⑪ 09310004

EMERGENCY LOWER

Pull knob to lower platform

⑭ 09310122

Maximum Outrigger Load
1930 kg

⑭ 09310124

Maximum Outrigger Load
2210 kg

⑫ 09310003

⑮ 09410069

WARNING

Crushing Hazard

Lowering the outriggers or tires onto a person's foot can result in serious injury.

Keep clear of outriggers and tires before lowering.

⑬ 09310002

⑯ 09210015

AERIAL WORK PLATFORM

This product complies with Australian Standard AS/NZS 1418.10:2011

Model No.	
Serial No.	
Date of Manufacturer	
Unloaded Mass	
No. Occupants	
Rated Capacity	
Max. Manual Force	
Max. Wind Speed	
Max. Ground Slope	
Voltage/Amperage	
Rated Capacity of Attachments	
Commission Date	

Zhejiang Dingli Machinery Co., Ltd
No. 1250 Bayuan South Rd Ledian
Shaoxing, Zhejiang, China
Tel: 0580-572-881888 8881888
Fax: 0580-572-8881880
E-mail: market@dingli.com
http://www.dingli.com

⑥ 09440073

4 persons =454kg	3 persons =318kg	2 persons =136kg	0m/s	400N
2 persons =136kg	1 person =68kg	0 persons =0kg	12.5m/s	400N

⑥ 09440074

3 persons =363kg	2 persons =227kg	1 person =136kg	0m/s	400N
2 persons =136kg	1 person =68kg	0 persons =0kg	12.5m/s	400N

⑰ 09310001

601.1 Decal

20 09910012



18 09410003



19 09410071




21 09320003



22 09540001



24 09440007



23 09640070

SC1018-AWD

23 09640071

SC1218-AWD


26 09410005



27 09310006



29 09420011



28 09410001



25 09940004

Summit

30 09310054



31 09310053



32 09310052

