

SELF-PROPELLED ROUGH-TERRAIN SCISSOR LIFTS

PARTS MANUAL

(For SL1323-AWD / SL1623-AWD)



WARNING

THE MANUFACTURER SHALL NOT BE HELD LIABLE IN CASE OF FAULTS OR ACCIDENTS DUE TO NEGLIGENCE, INCAPACITY, INSTALLATION BY UNQUALIFIED TECHNICIANS AND IMPROPER USE OF THE MACHINE

DO NOT OPERATE THIS MACHINE UNTIL YOU READ AND UNDERSTAND ALL THE DANGERS, WARNINGS AND CAUTIONS IN THIS MANUAL

Part Number: SM0118211A_Rev1.0



Zhejiang Dingli Machinery Co., Ltd.

First Edition, August 2018 Printing

Table of Contents

Section 1 Chassis

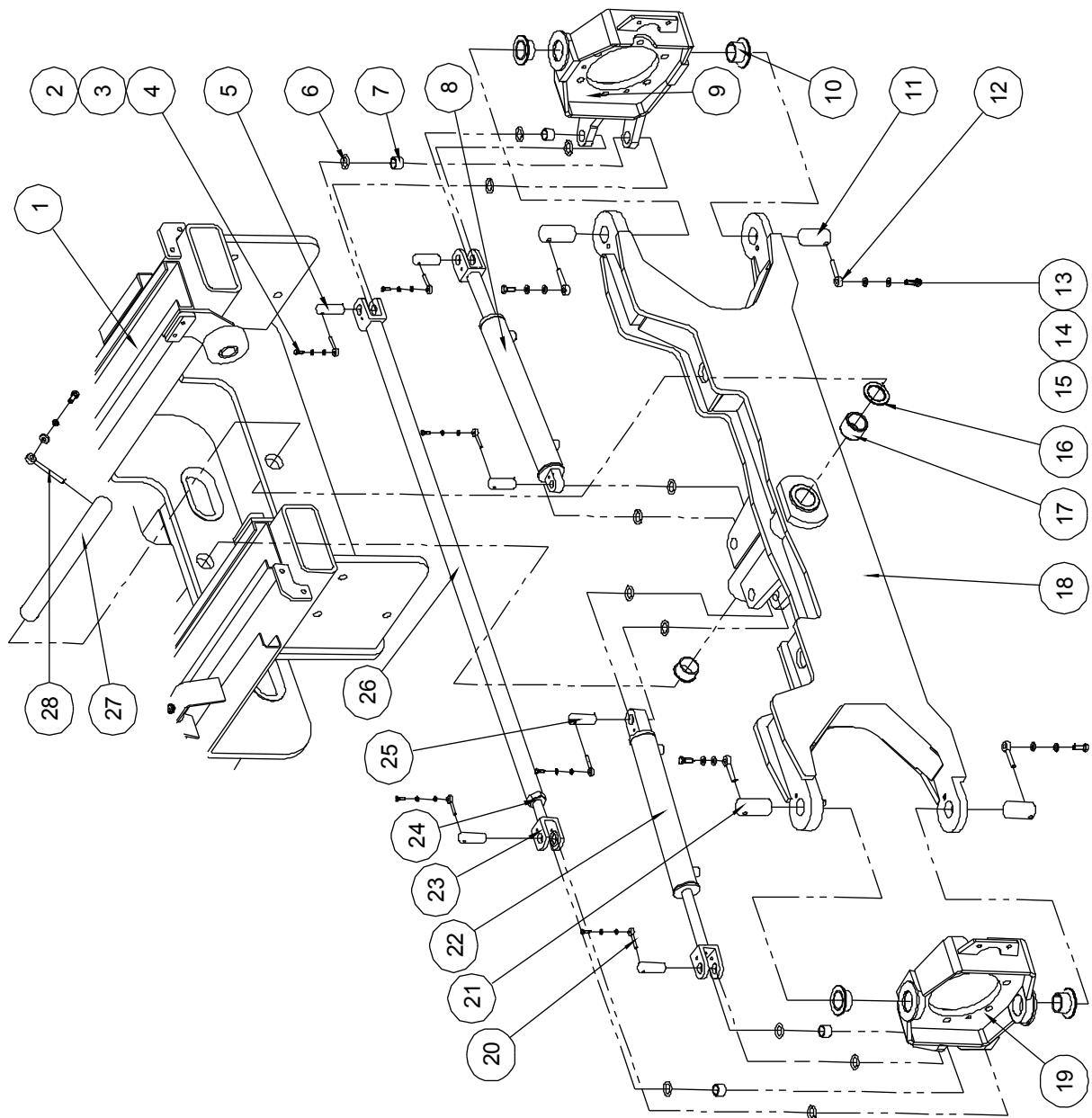
101.1	Steer Axle Linkage	2
102.1	Wheels and Drive Hubs	4
103.1	Left Motor Assembly.....	6
104.1	Right Motor Assembly	7
105.1	Non-Steer Axle Assembly	8
106.1	Rear Motor Assembly	10
107.1	Engine Tray Installation.....	11
108.1	Engine Tray Assembly.....	13
109.1	Electrical Accessory Assembly	16
110.1	Cooling System Installation	17
111.1	Cooling System Assembly	18
112.1	Intake System and Exhaust System.....	20
113.1	Engine Assembly.....	22
114.1	Fuel System Assembly	25
115.1	Fuel Filter Assembly	26
116.1	Drive Pump Assembly	27
117.1	Engine Cover Assembly	28
118.1	Hydraulic Tray Installation	30
119.1	Hydraulic Tray Door Installation.....	32
120.1	Hydraulic Tank and Manifolds Installation.....	34
121.1	Hydraulic Tank Assembly	36
122.1	Drive Manifold Assembly	39
123.1	Hydraulic Hoses Manifold Assembly.....	40
124.1	Function Manifold Assembly.....	41
125.1	Ground Control Tray Installation.....	43
126.1	Ground Control Tray Door Installation	45
127.1	Fuel Tank and Ground Control Installation.....	47
128.1	Fuel Tank Assembly	49
129.1	Ground Control Box Assembly	50
130.1	Link Guard and Ladder	53

131.1	Beacon Assembly	56
132.1	Ladder and Oil Cooler Assembly	57
133.1	Outrigger Installation	59
134.1	Outrigger Assembly	60
135.1	Chassis Accessory Installation.....	63
Section 2 Scissor		
201.1	Scissor Assembly (SL1323-AWD).....	66
202.1	Scissor Arm Assembly 4 (SL1323-AWD).....	68
203.1	Slider Assembly	71
204.1	Scissor Arm Assembly 2-3 (SL1323-AWD)	72
205.1	Safety Arm Assembly	74
206.1	Cable Routing Device Assembly	76
207.1	Scissor Arm Assembly 1	78
208.1	Scissor Assembly (SL1623-AWD).....	81
209.1	Scissor Arm Assembly 5 (SL1623-AWD).....	83
210.1	Scissor Arm Assembly 4 (SL1623-AWD).....	86
211.1	Scissor Arm Assembly 2-3 (SL1623-AWD).....	87
Section 3 Platform		
301.1	Platform Assembly	90
302.1	Main Platform Assembly	92
303.1	Support Roller Assembly	95
304.1	Side Roller Assembly	96
305.1	Front Platform Extension Assembly	97
306.1	Rear Platform Extension Assembly	100
307.1	Platform Locking Device Assembly	103
308.1	Platform Control Box Assembly	105
Section 4 Hydraulic System		
401.1	Lower Lift Cylinder Assembly	107
402.1	Upper Lift Cylinder Assembly (SL1623-AWD)	109
403.1	Left Steer Cylinder Assembly	111
404.1	Right Steer Cylinder Assembly.....	112
405.1	Outrigger Cylinder Assembly	113
406.1	Function Manifold	115

407.1	Drive Manifold.....	117
408.1	Hydraulic Hoses and Fittings-Drive.....	119
409.1	Hydraulic Hoses and Fittings-Function (SL1323-AWD).....	122
410.1	Hydraulic Hoses and Fittings-Function (SL1623-AWD).....	125
411.1	Hydraulic Hoses and Fittings-Outrigger	128
Section 5 Electrical System		
501.1	Electrical Harness.....	131
503.1	Power to Platform	135
Section 6 Decal		
601.1	Decal	138

Section 1 Chassis

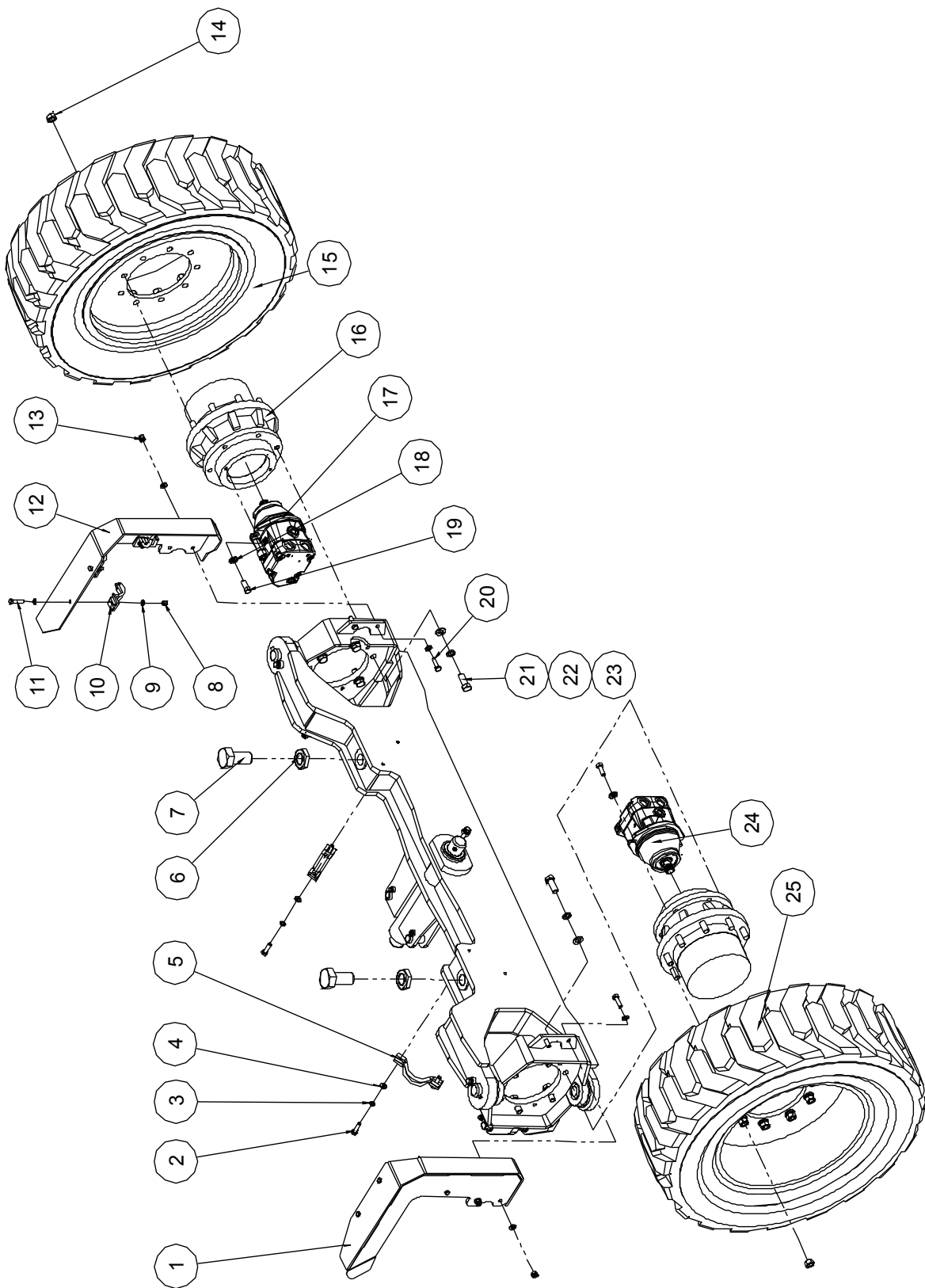
101.1 Steer Axle Linkage



101.1 Steer Axle Linkage

Item	Part No.	Description	Qty.
1	10003600	Frame weldment	1
2	00000743	Bolt GB/T 5783 M6×20	6
3	00000621	Washer GB/T 93 6	6
4	00000620	Washer GB/T 97.1 6	6
5	00000020	895-24055 Pin	4
6	10003613	Washer	4
7	00000364	8812-242820 Bearing	4
8		Left steer cylinder assembly (without seal kit) (refer to 403.1)	1
9	10003693	Steer yoke weldment	1
10	00000199	8821-4025 Bearing	4
11	00000106	895-40059 Pin	2
12	00000220	8902-10080 Pin	4
13	00000683	Bolt GB/T 5783 M10×30	5
14	00000679	Washer GB/T 93 10	5
15	00000615	Washer GB/T 97.1 10	5
16	10003621	Washer	2
17	00000422	8813-455540 Bearing	2
18	10003638	Steer axle weldment	1
19	10003684	Steer yoke weldment	1
20	00000217	8902-06045 Pin	6
21	00000107	895-40070 Pin	2
22		Right steer cylinder assembly (without seal kit) (refer to 404.1)	1
23	10003702	Clevis yoke	1
24	10002548	Nut M24×1.5	1
25	00000023	895-25060 Pin	2
26	10003698	Tie rod weldment	1
27	00000121	895-45440 Pin	1
28	00002481	8902-10100 Pin	1

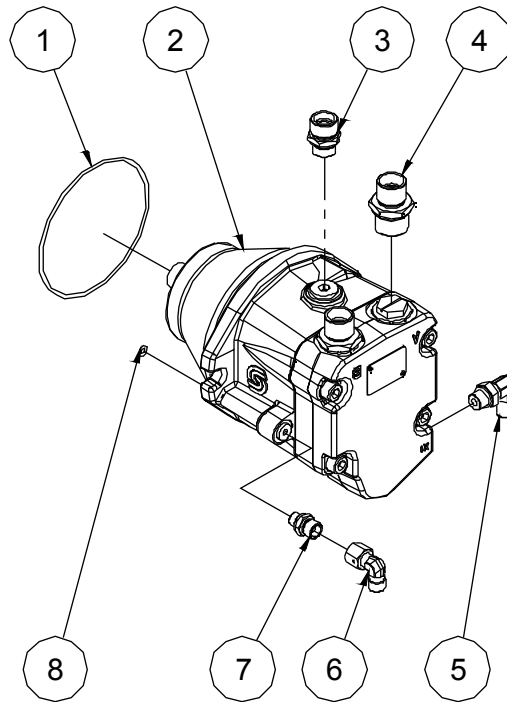
102.1 Wheels and Drive Hubs



102.1 Wheels and Drive Hubs

Item	Part No.	Description	Qty.
1	50002878	Yoke guard	1
2	00000684	Bolt GB/T 5783 M10×35	4
3	00000679	Washer GB/T 93 10	8
4	00000615	Washer GB/T 97.1 10	12
5	10005452	Hose clamp weldment	2
6	00004229	Nut GB/T 6172.1 M36	2
7	00004228	Bolt GB/T 5783 M36×70	2
8	00000994	Nut GB/T 889.1 M8	6
9	00000608	Washer GB/T 97.1 8	12
10	10001580	Hose clamp	6
11	00002604	Bolt GB/T 5783 M8×40	6
12	50002882	Yoke guard	1
13	00000623	Nut GB/T 6182 M10	4
14	00002274	5/8-18UNF Nut	18
15	00003098	Wheel	1
16	00003957	Drive hub	2
17		Left motor assembly (refer to 103.1)	1
18	10002531	Washer	4
19	00003115	7/16-14×1 1/2" Bolt ANSI B18.2.1	4
20	00000684	Bolt GB/T 5783 M10×35	4
21	00003103	5/8-11×1 3/4" Bolt ANSI B18.2.1	12
22	00001035	Washer GB/T 93 16	12
23	00000997	Washer GB/T 97.1 16	12
24		Right motor assembly (refer to 104.1)	1
25	00003099	Wheel	1

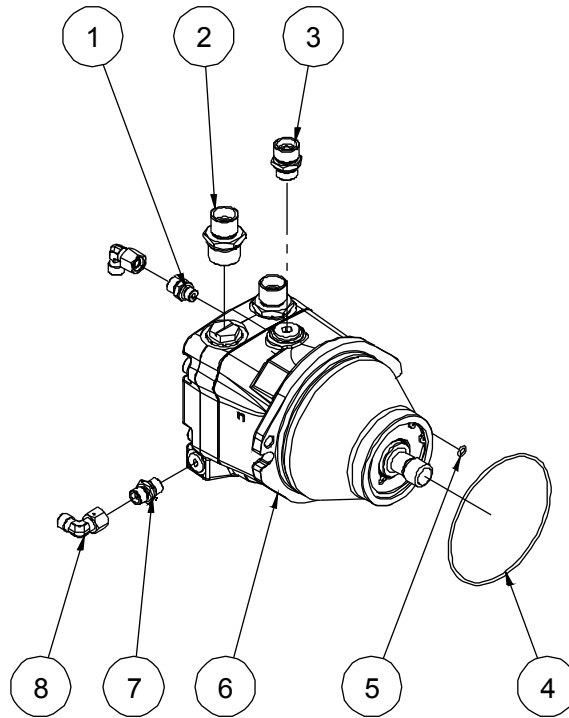
103.1 Left Motor Assembly



103.1 Left Motor Assembly

Item	Part No.	Description	Qty.
1	00001542	O-ring As568A 120.32×2.62	1
2	00003107	Motor	1
3	00001775	Straight fitting	1
4	00002073	Straight fitting	2
5	00004023	Elbow	1
6	00001832	Elbow	1
7	00001769	Straight fitting	1
8	00001387	O-ring GB1235-76 10×1.9	1

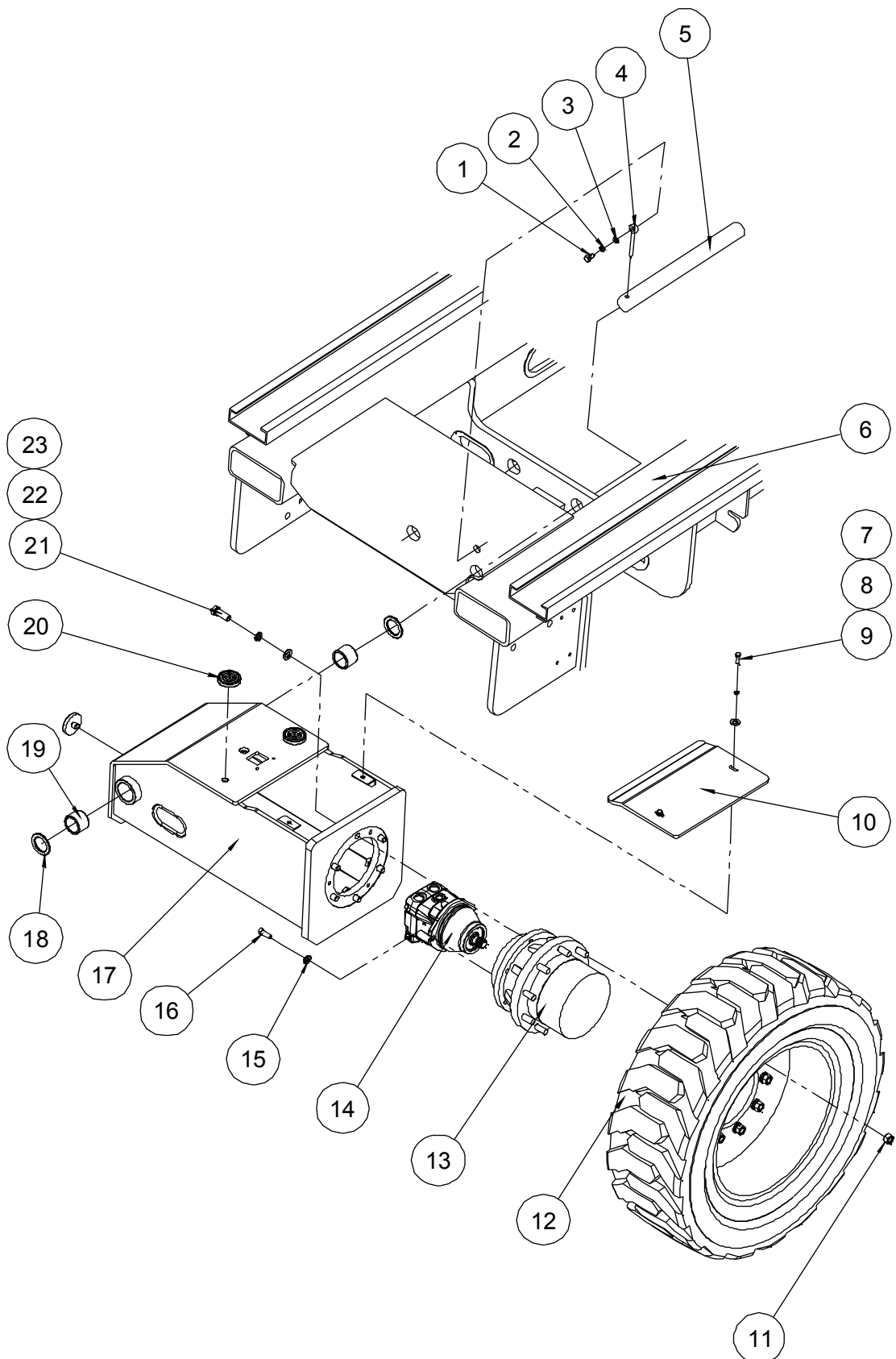
104.1 Right Motor Assembly



104.1 Right Motor Assembly

Item	Part No.	Description	Qty.
1	00001769	Straight fitting	1
2	00002073	Straight fitting	2
3	00001775	Straight fitting	1
4	00001542	O-ring As568A 120.32×2.62	1
5	00001387	O-ring GB1235-76 10×1.9	1
6	00003107	Motor	1
7	00002072	Straight fitting	1
8	00001832	Elbow	2

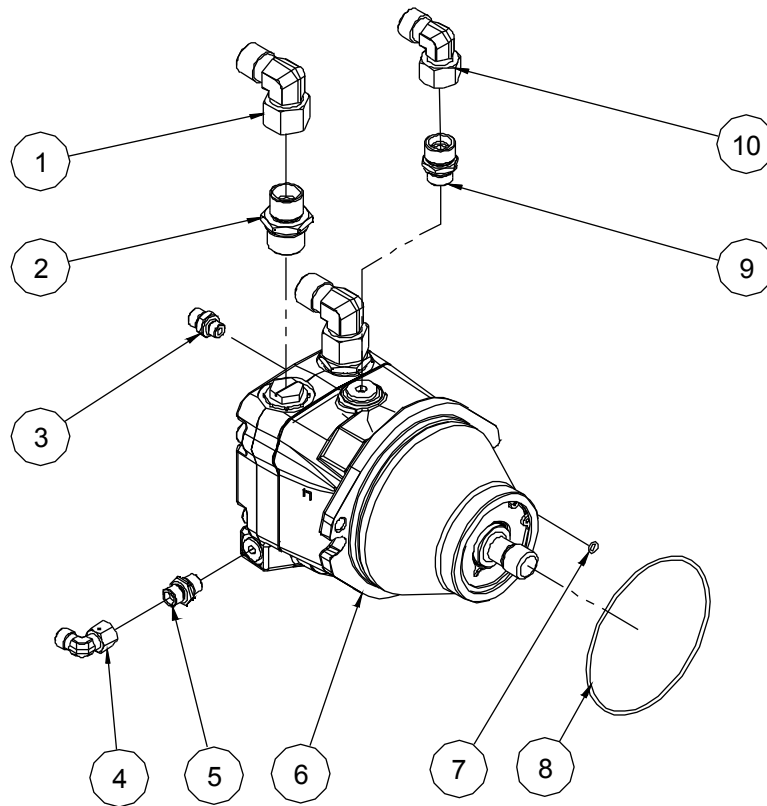
105.1 Non-Steer Axle Assembly



105.1 Non-Steer Axle Assembly

Item	Part No.	Description	Qty.
1	00000684	Bolt GB/T 5783 M10×35	1
2	00000679	Washer GB/T 93 10	1
3	00000615	Washer GB/T 97.1 10	1
4	00000220	8902-10080 Pin	1
5	00000122	895-45460 Pin	1
6	10003600	Frame weldment	1
7	00000993	Bolt GB/T 5783 M8×25	2
8	00000609	Washer GB/T 93 8	2
9	00002000	Washer GB/T 96.1 8	2
10	10003459	Cover	1
11	00002274	5/8-18UNF Nut	9
12	00003099	Wheel	1
13	00003957	Drive hub	1
14		Rear motor assembly (refer to 106.1)	1
15	10002531	Washer	2
16	00003103	5/8-11×1 3/4" Bolt ANSI B18.2.1	2
17	10003713	Rear motor housing weldment	1
18	10003621	Washer	2
19	00000422	8813-455540 Bearing	2
20	10003263	Block	3
21	00003115	7/16-14×1 1/2" Bolt ANSI B18.2.1	6
22	00001035	Washer GB/T 93 16	6
23	00000997	Washer GB/T 97.1 16	6

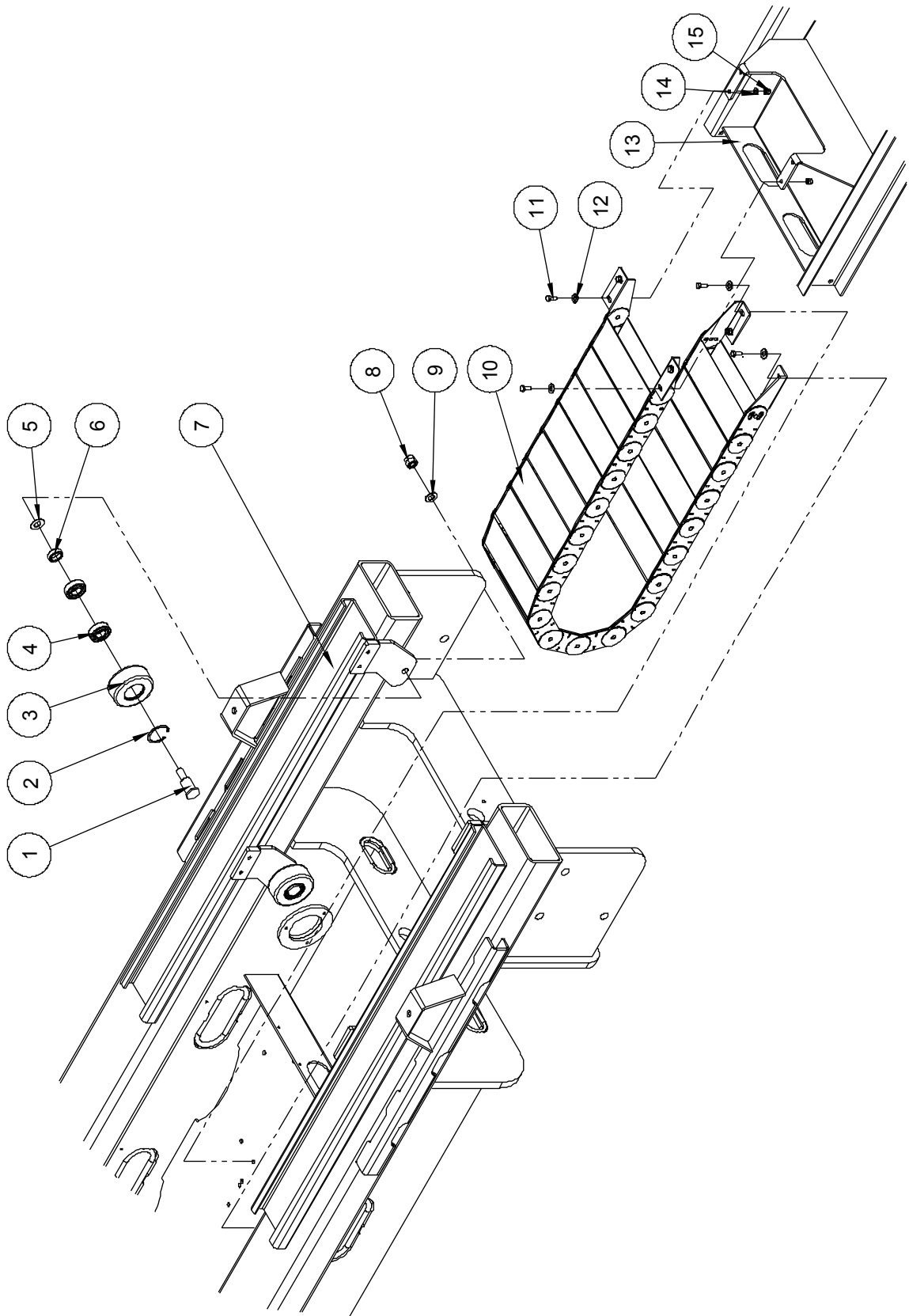
106.1 Rear Motor Assembly



106.1 Rear Motor Assembly

Item	Part No.	Description	Qty.
1	00001841	Elbow	2
2	00002073	Straight fitting	2
3	00001769	Straight fitting	1
4	00001832	Elbow	1
5	00002072	Straight fitting	1
6	00003107	Motor	1
7	00001387	O-ring GB1235-76 10×1.9	1
8	00001542	O-ring As568A 120.32×2.62	1
9	00001775	Straight fitting	1
10	00001835	Elbow	1

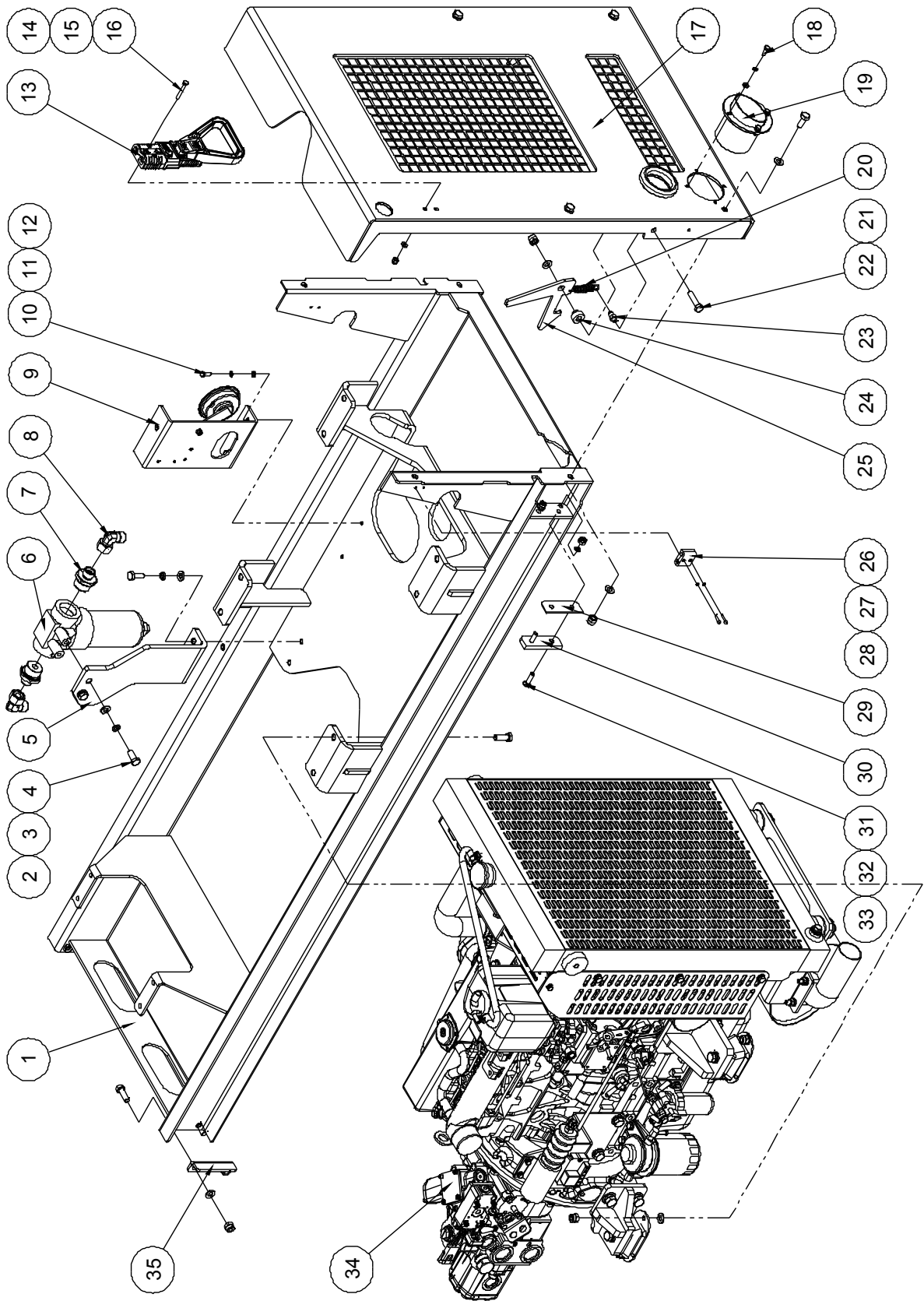
107.1 Engine Tray Installation



107.1 Engine Tray Installation

Item	Part No.	Description	Qty.
1	10003925	Pin	4
2	00000891	Circlips GB/T 893.1-52	4
3	10003924	Roller	4
4	00004252	Bearing GB/T 276-1994 - 6205	8
5	10003931	Washer	4
6	10003930	Spacer sleeve	4
7	10003600	Frame weldment	1
8	00001257	Nut GB/T 6182 M16	4
9	00000997	Washer GB/T 97.1 16	4
10	10003933	Towline	1
11	00000993	Bolt GB/T 5783 M8×25	8
12	00002000	Washer GB/T 96.1 8	8
13	10003848	Engine tray	1
14	00000608	Washer GB/T 97.1 8	4
15	00001163	Nut GB/T 6182 M8	4

108.1 Engine Tray Assembly



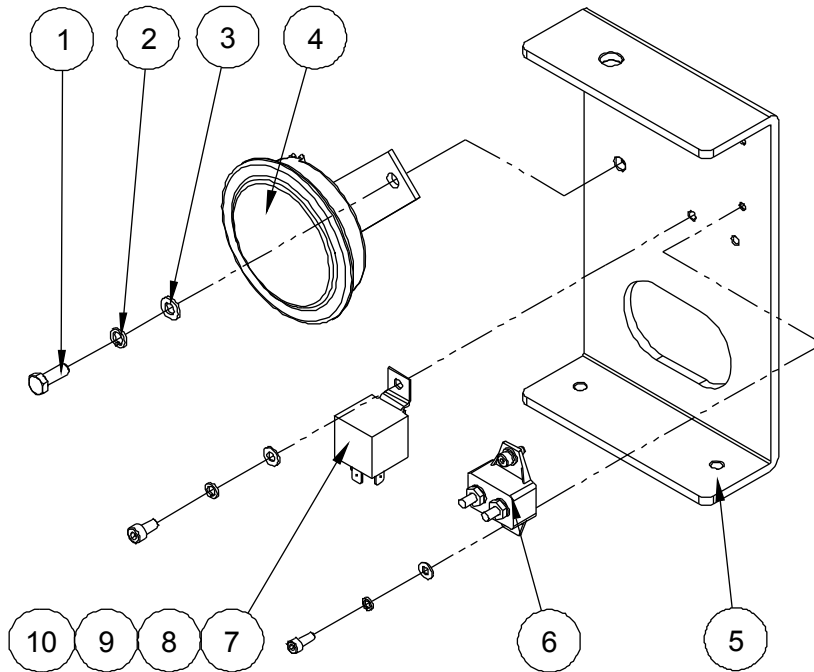
108.1 Engine Tray Assembly

Item	Part No.	Description	Qty.
1	10003848	Engine tray	1
2	00000678	Bolt GB/T 5783 M10×25	12
3	00000679	Washer GB/T 93 10	6
4	00000615	Washer GB/T 97.1 10	24
5	10003873	Filter bracket	1
6	00001870	High pressure line filter	1
--	00004697	Filter element	1
7	00002069	Straight fitting	2
8	00001835	Elbow	2
9		Electrical accessory assembly (refer to 109.1)	1
10	00000743	Bolt GB/T 5783 M6×20	2
11	00000621	Washer GB/T 93 6	6
12	00000620	Washer GB/T 97.1 6	6
13	00003951	Connector (option)	1
14	00003176	Bolt GB/T 5782 M6×40 (option)	2
15	00000620	Washer GB/T 97.1 6 (option)	2
16	00001033	Nut GB/T 6182 M6 (option)	2
17	10003861	Engine grill	1
18	00000818	Bolt GB/T 5783 M6×16	4
19	10003869	Receiving pipe weldment	1
20	10003669	Spring	2
21	00001041	Bolt GB/T 5783 M10×40	2
22	00000623	Nut GB/T 6182 M10	10
23	10003664	Pin	2
24	10003469	Spacer	2
25	10003468	Handle	2
26	10000066	Wire clip (option)	2
27	00002064	Screw GB/T 70.1 M4×20 (option)	2
28	00000779	Washer GB/T 93 4 (option)	2

108.1 Engine Tray Assembly

Item	Part No.	Description	Qty.
29	10003666	Adjusting plate	2
30	10003665	Adjusting plate	2
31	00000838	Screw GB/T 70.3 M8×25	4
32	00000608	Washer GB/T 97.1 8	4
33	00001163	Nut GB/T 6182 M8	4
34		Engine system assembly (refer to 110.1, 112.1, 113.1)	1
35	10003470	Baffle plate	2

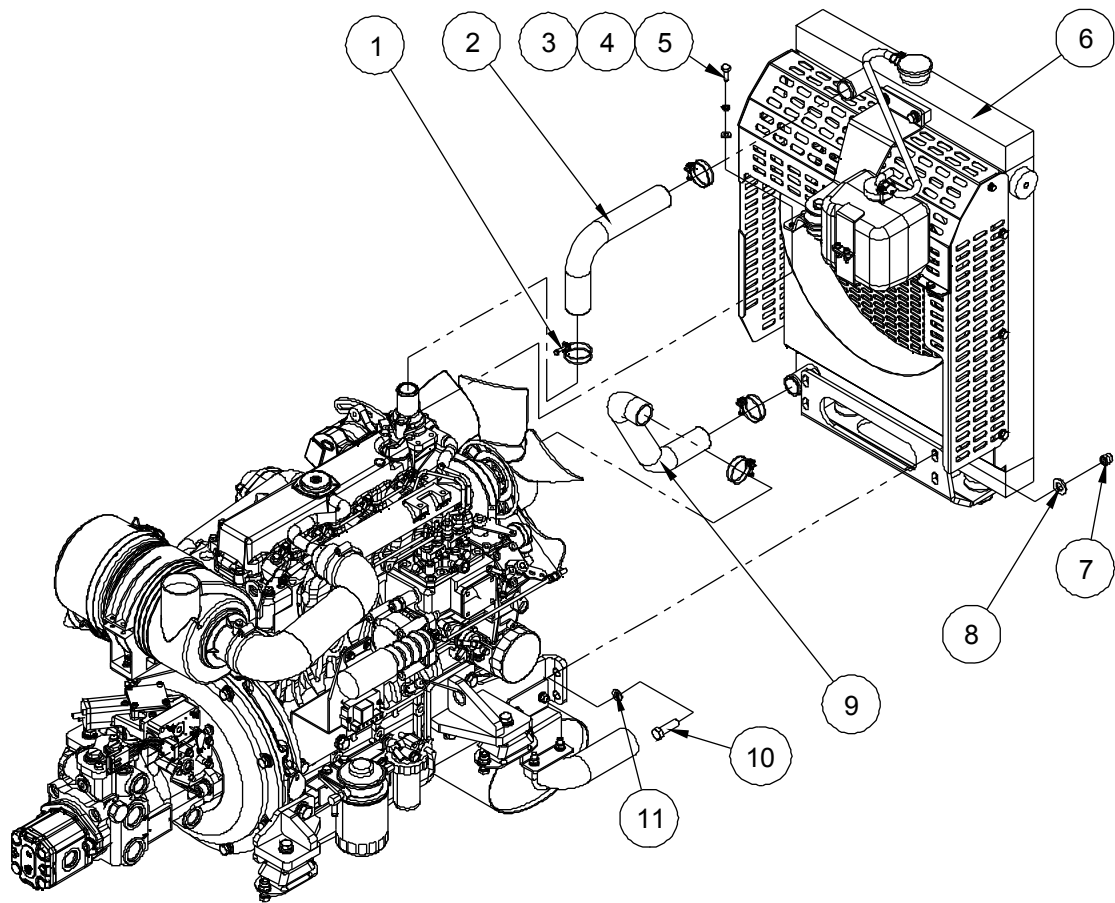
109.1 Electrical Accessory Assembly



109.1 Electrical Accessory Assembly

Item	Part No.	Description	Qty.
1	00001063	Bolt GB/T 5783 M8×16	1
2	00000609	Washer GB/T 93 8	1
3	00000608	Washer GB/T 97.1 8	1
4	00002212	Horn	1
5	10003868	Mounting plate	1
6	00002410	Circuit breaker	1
7	00002206	Relay	1
8	00001030	Screw GB/T 70.1 M5×10	3
9	00000606	Washer GB/T 93 5	3
10	00000605	Washer GB/T 97.1 5	3

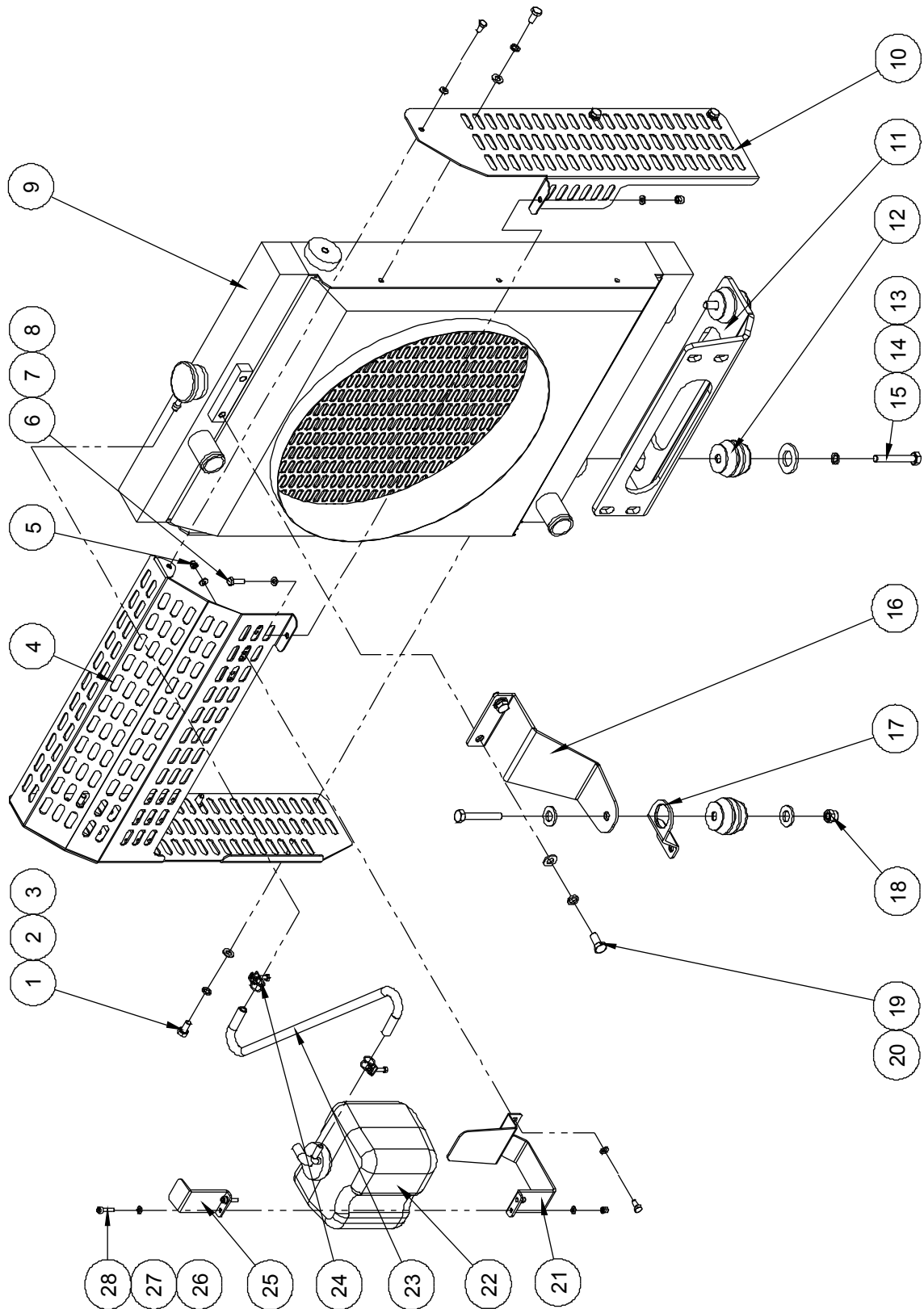
110.1 Cooling System Installation



110.1 Cooling System Installation

Item	Part No.	Description	Qty.
1	50001582	Clamp	4
2	00002256	Hose	1
3	00000743	Bolt GB/T 5783 M6×20	2
4	00000621	Washer GB/T 93 6	2
5	00000620	Washer GB/T 97.1 6	2
6		Cooling system assembly (refer to 111.1)	1
7	00000623	Nut GB/T 6182 M10	4
8	00001028	Washer GB/T 96.1 10	4
9	00002257	Hose	1
10	00000684	Bolt GB/T 5783 M10×35	4
11	00000615	Washer GB/T 97.1 10	4

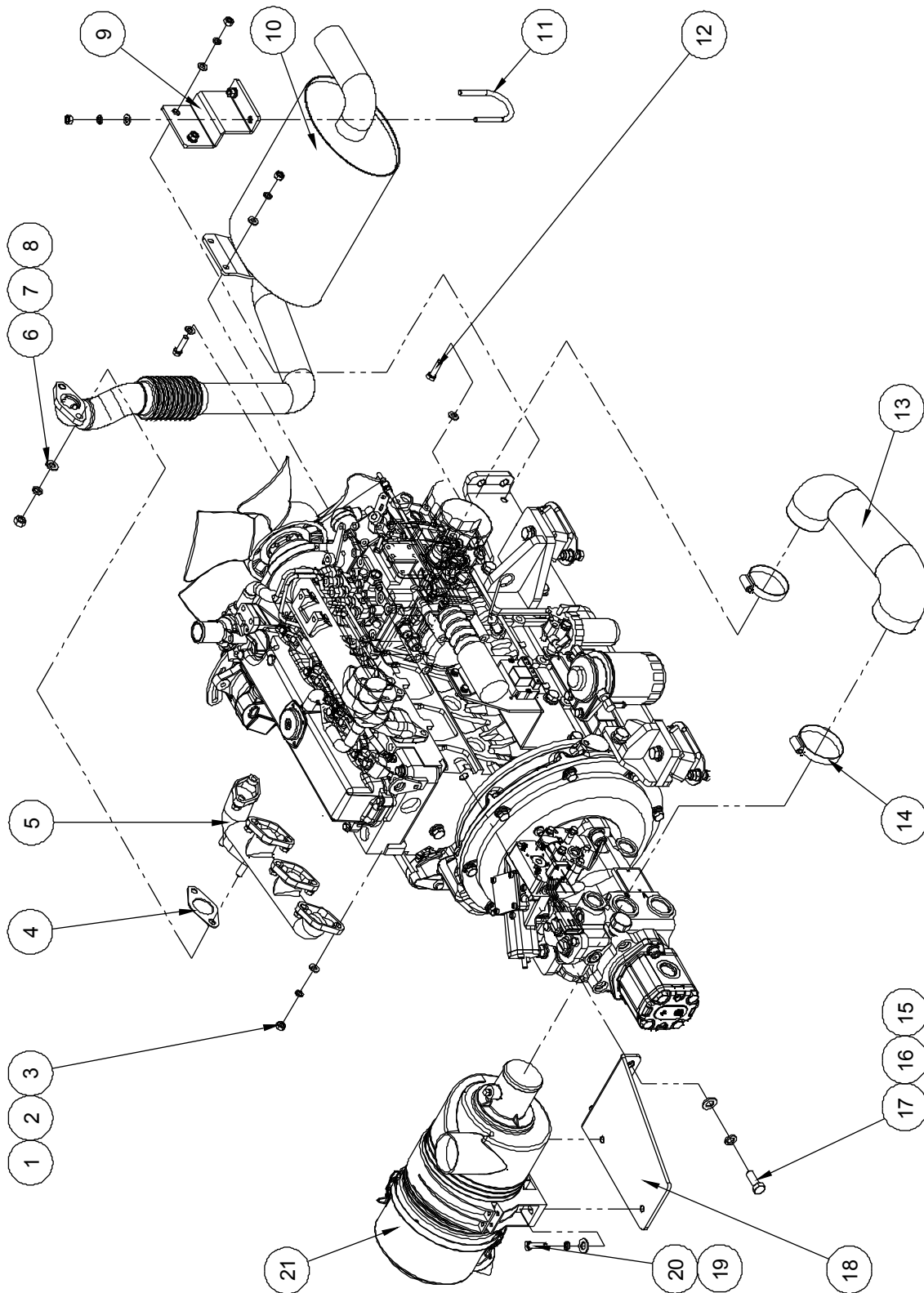
111.1 Cooling System Assembly



111.1 Cooling System Assembly

Item	Part No.	Description	Qty.
1	00000875	Bolt GB/T 5783 M8×20	8
2	00000609	Washer GB/T 93 8	6
3	00000608	Washer GB/T 97.1 8	10
4	50001532	Cover	1
5	00001163	Nut GB/T 6182 M8	2
6	00000743	Bolt GB/T 5783 M6×20	2
7	00000620	Washer GB/T 97.1 6	3
8	00001033	Nut GB/T 6182 M6	1
9	10003934	Radiator	1
10	50001531	Cover	1
11	10001984	Radiator bracket	1
12	00002251	Bumper	3
13	00001984	Bolt GB/T 5782 M10×60	3
14	00000679	Washer GB/T 93 10	2
15	00001028	Washer GB/T 96.1 10	4
16	10003706	Radiator bracket	1
17	50001566	Support	1
18	00000623	Nut GB/T 6182 M10	1
19	00000674	Bolt GB/T 5783 M10×20	2
20	00000615	Washer GB/T 97.1 10	2
21	10001218	Bottle bracket	1
22	00002156	Coolant recovery bottle	1
23	10003703	Hose	1
24	50001592	Clamp	2
25	10001220	Bottle fixing plate	1
26	00001246	Screw GB/T 70.1 M5×16	2
27	00000605	Washer GB/T 97.1 5	4
28	00000613	Nut GB/T 6182 M5	2

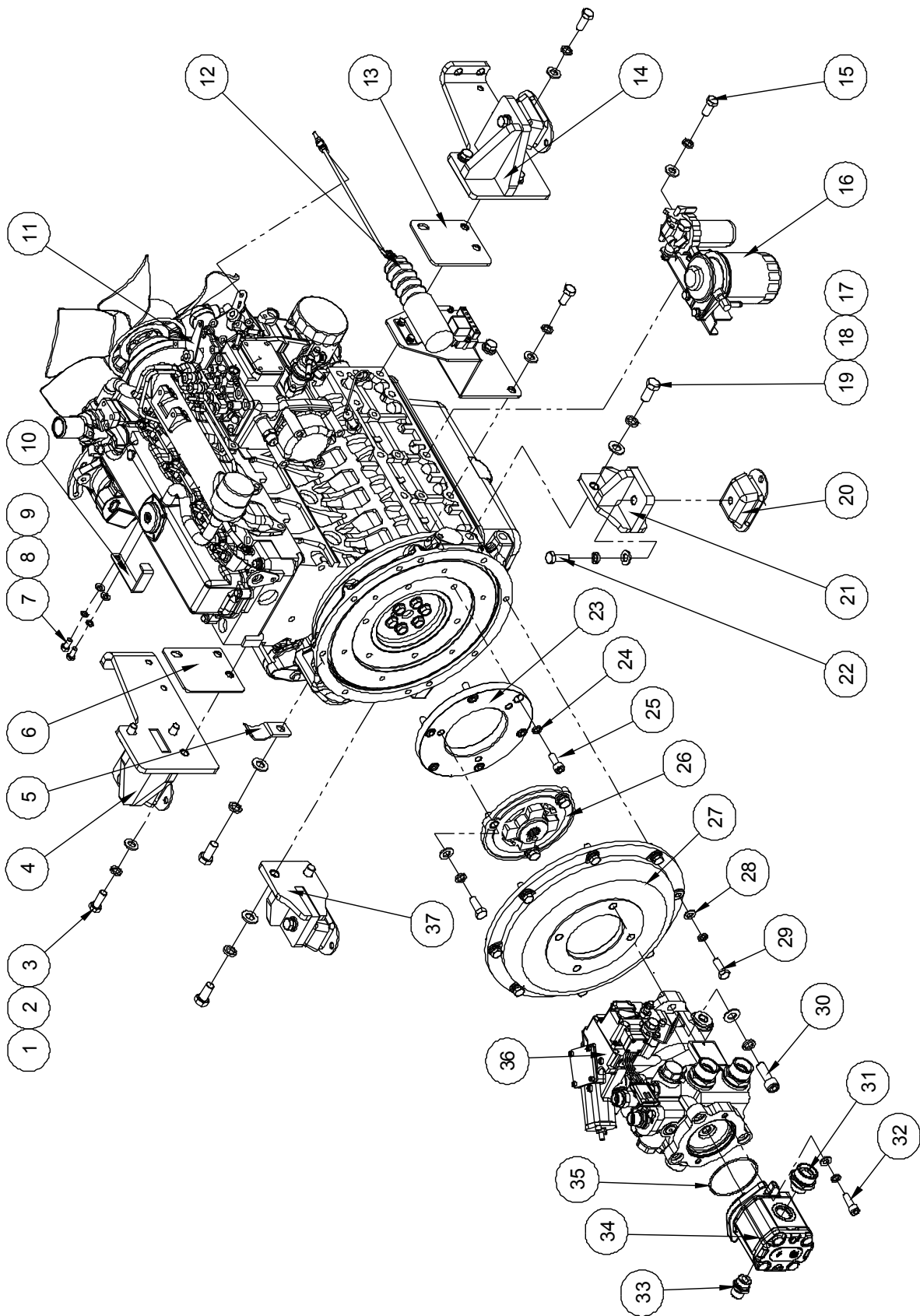
112.1 Intake System and Exhaust System



112.1 Intake System and Exhaust System

Item	Part No.	Description	Qty.
1	00000610	Nut GB/T 6170 M8	14
2	00000609	Washer GB/T 93 8	16
3	00000608	Washer GB/T 97.1 8	18
4	10003710	Washer	1
5	10003938	Exhaust pipe weldment	1
6	00001999	Nut GB/T 6170 M10	2
7	00000679	Washer GB/T 93 10	2
8	00000615	Washer GB/T 97.1 10	2
9	10003707	Exhaust pipe bracket	1
10	10003969	Muffler weldment	1
11	10003970	Clamp	1
12	00000995	Bolt GB/T 5783 M8×30	4
13	00002259	Hose	1
14	50001583	Clamp	2
15	00000816	Bolt GB/T 5783 M12×25	2
16	00000815	Washer GB/T 93 12	2
17	00000814	Washer GB/T 97.1 12	2
18	50001565	Air cleaner bracket	1
19	00000993	Bolt GB/T 5783 M8×25	2
20	00002000	Washer GB/T 96.1 8	2
21	10003952	Air cleaner	1
--	10001393	Filter element (inner)	1
--	10004082	Filter element (outer)	1

113.1 Engine Assembly



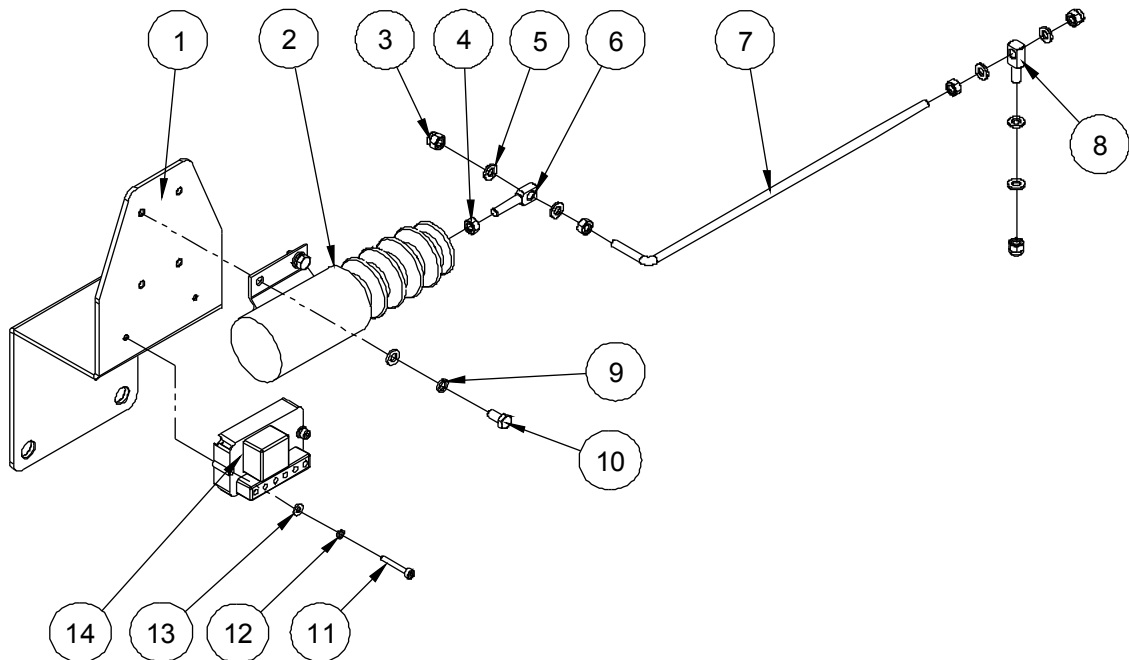
113.1 Engine Assembly

Item	Part No.	Description	Qty.
1	00002059	Bolt GB/T 5783 M12×30	10
2	00000815	Washer GB/T 93 12	14
3	00000814	Washer GB/T 97.1 12	14
4	10001973	Engine bracket	1
5	10003876	Wire clip	1
6	50001581	Shim plate	1
7	00001063	Bolt GB/T 5783 M8×16	2
8	00000609	Washer GB/T 93 8	2
9	00000608	Washer GB/T 97.1 8	2
10	10003875	Wire clip	1
11	10003937	Engine	1
--	00004718	Starter motor	1
--	00004717	Alternator	1
--	10003947	Filter element, oil filter	1
--	00004721	Coolant temperature switch	1
--	00004720	Oil pressure switch	1
--	00004719	Coil	1
12		Fuel system assembly (refer to 114.1)	1
13	50001577	Shim plate	1
14	10001974	Engine bracket	1
15	00000816	Bolt GB/T 5783 M12×25	4
16		Fuel filter assembly (refer to 115.1)	1
17	00001259	Bolt GB/T 5783 M14×30	5
18	00001258	Washer GB/T 93 14	7
19	00001043	Washer GB/T 97.1 14	7
20	00002162	Absorber	4
21	10001978	Engine bracket	1
22	00002046	Bolt GB/T 5783 M12×35	4
23	50001561	Linker	1

113.1 Engine Assembly

Item	Part No.	Description	Qty.
24	00000679	Washer GB/T 93 10	16
25	00002249	Screw GB/T 70.1 M10×20	6
26	00002158	Flexible coupling	1
27	50001575	Adapter	1
28	00000615	Washer GB/T 97.1 10	10
29	00000683	Bolt GB/T 5783 M10×30	8
30	00003193	Screw GB/T 70.1 M14×40	2
31	00001782	Straight fitting	1
32	00001059	Screw GB/T 70.1 M10×30	2
33	00001776	Straight fitting	1
34	00003102	Gear pump	1
35	00001536	O-ring As568A 82.22×2.62	1
36		Drive pump assembly (refer to 116.1)	1
37	10001982	Engine bracket	1

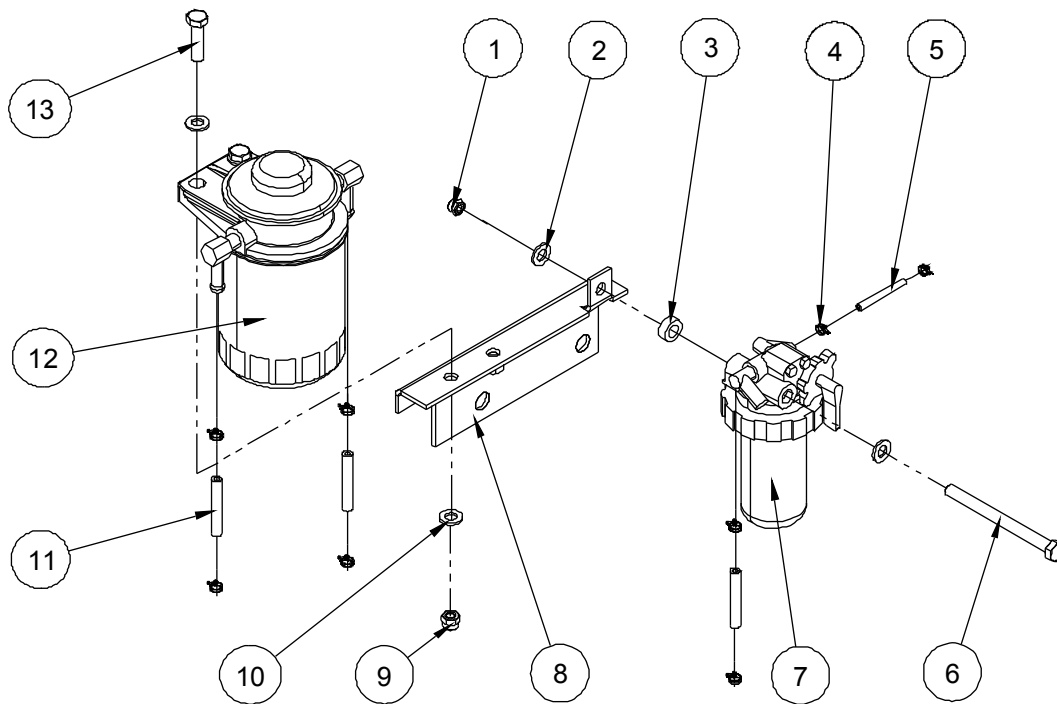
114.1 Fuel System Assembly



114.1 Fuel System Assembly

Item	Part No.	Description	Qty.
1	10003711	Throttle solenoid bracket	1
2	00002203	Throttle solenoid	1
3	00001033	Nut GB/T 6182 M6	3
4	00002247	Nut GB/T 6170 M6	3
5	00000620	Washer GB/T 97.1 6	10
6	10002730	Throttle screw	1
7	10003667	Throttle linkage	1
8	10002731	Throttle screw	1
9	00000621	Washer GB/T 93 6	4
10	00000745	Bolt GB/T 5783 M6×12	4
11	00002228	Screw GB/T 70.1 M4×25	2
12	00000779	Washer GB/T 93 4	2
13	00000778	Washer GB/T 97.1 4	2
14	00002204	Solenoid module	1

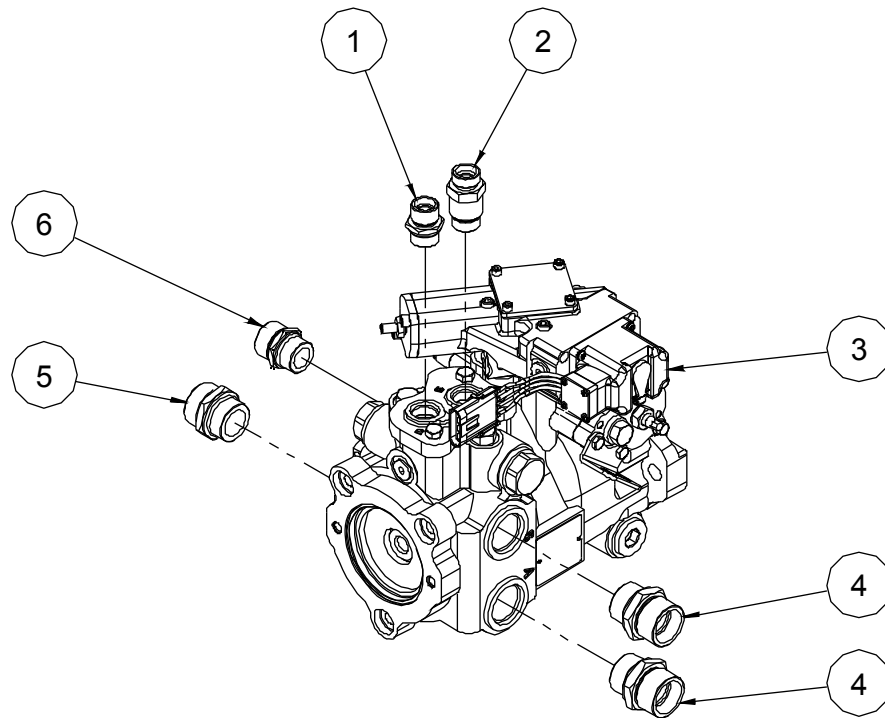
115.1 Fuel Filter Assembly



115.1 Fuel Filter Assembly

Item	Part No.	Description	Qty.
1	00001163	Nut GB/T 6182 M8	1
2	00000608	Washer GB/T 97.1 8	2
3	50001586	Spacer	1
4	50001592	Clamp	8
5	10003967	Hose	1
6	00001860	Bolt GB/T 5782 M8×70	1
7	10003958	Oil-water separator	1
8	50003114	Fuel filter bracket	1
9	00000623	Nut GB/T 6182 M10	2
10	00000615	Washer GB/T 97.1 10	4
11	50003036	Hose	3
12	10003955	Fuel filter	1
--	10003957	Filter element	1
13	00000684	Bolt GB/T 5783 M10×35	2

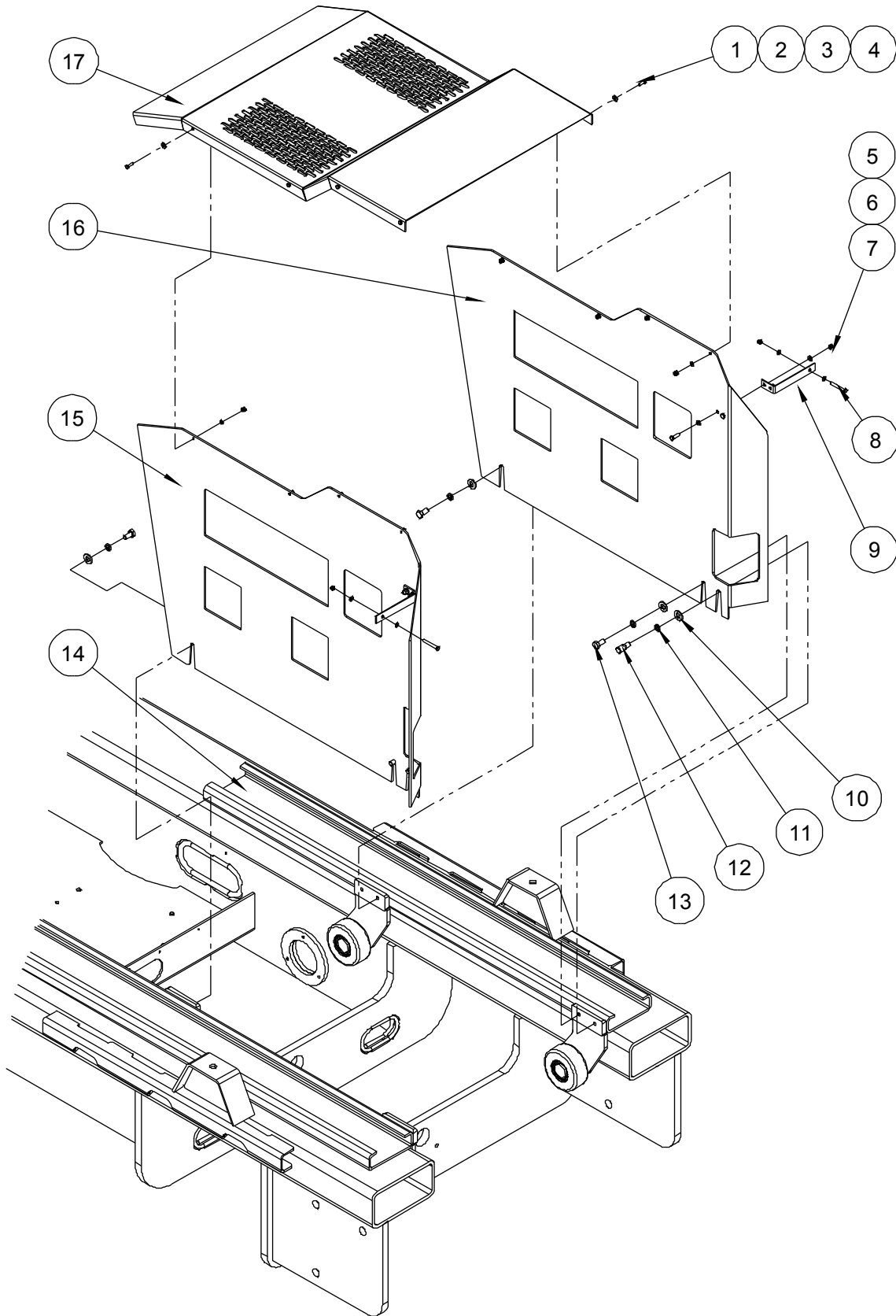
116.1 Drive Pump Assembly



116.1 Drive Pump Assembly

Item	Part No.	Description	Qty.
1	00001776	Straight fitting	1
2	00003734	Straight fitting	1
3	00003101	Piston pump	1
4	00001790	Straight fitting	2
5	00001783	Straight fitting	1
6	00001780	Straight fitting	1

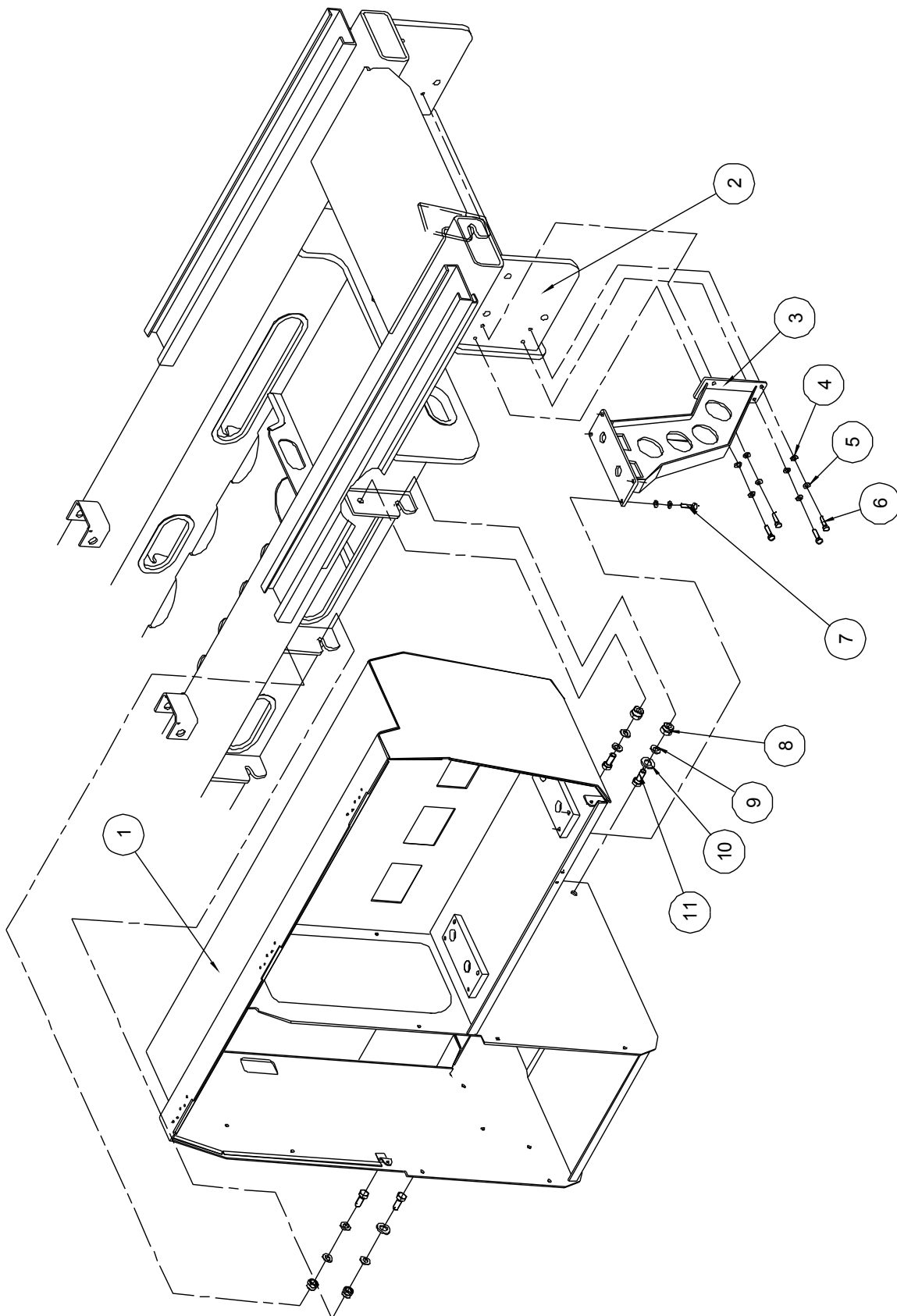
117.1 Engine Cover Assembly



117.1 Engine Cover Assembly

Item	Part No.	Description	Qty.
1	00002268	Bolt GB/T 5783 M5×20	8
2	00003545	Washer GB/T 96.1 5	8
3	00000605	Washer GB/T 97.1 5	8
4	00001169	Nut GB/T 889.1 M5	8
5	00000743	Bolt GB/T 5783 M6×20	8
6	00000620	Washer GB/T 97.1 6	12
7	00001033	Nut GB/T 6182 M6	4
8	00002335	Bolt GB/T 5782 M6×60	2
9	10003636	Bracket	2
10	00001028	Washer GB/T 96.1 10	6
11	00000679	Washer GB/T 93 10	6
12	10003633	Screw	2
13	00000674	Bolt GB/T 5783 M10×20	4
14	10003600	Frame weldment	1
15	10003634	Engine side cover	1
16	10003635	Engine side cover	1
17	10003632	Engine top cover	1

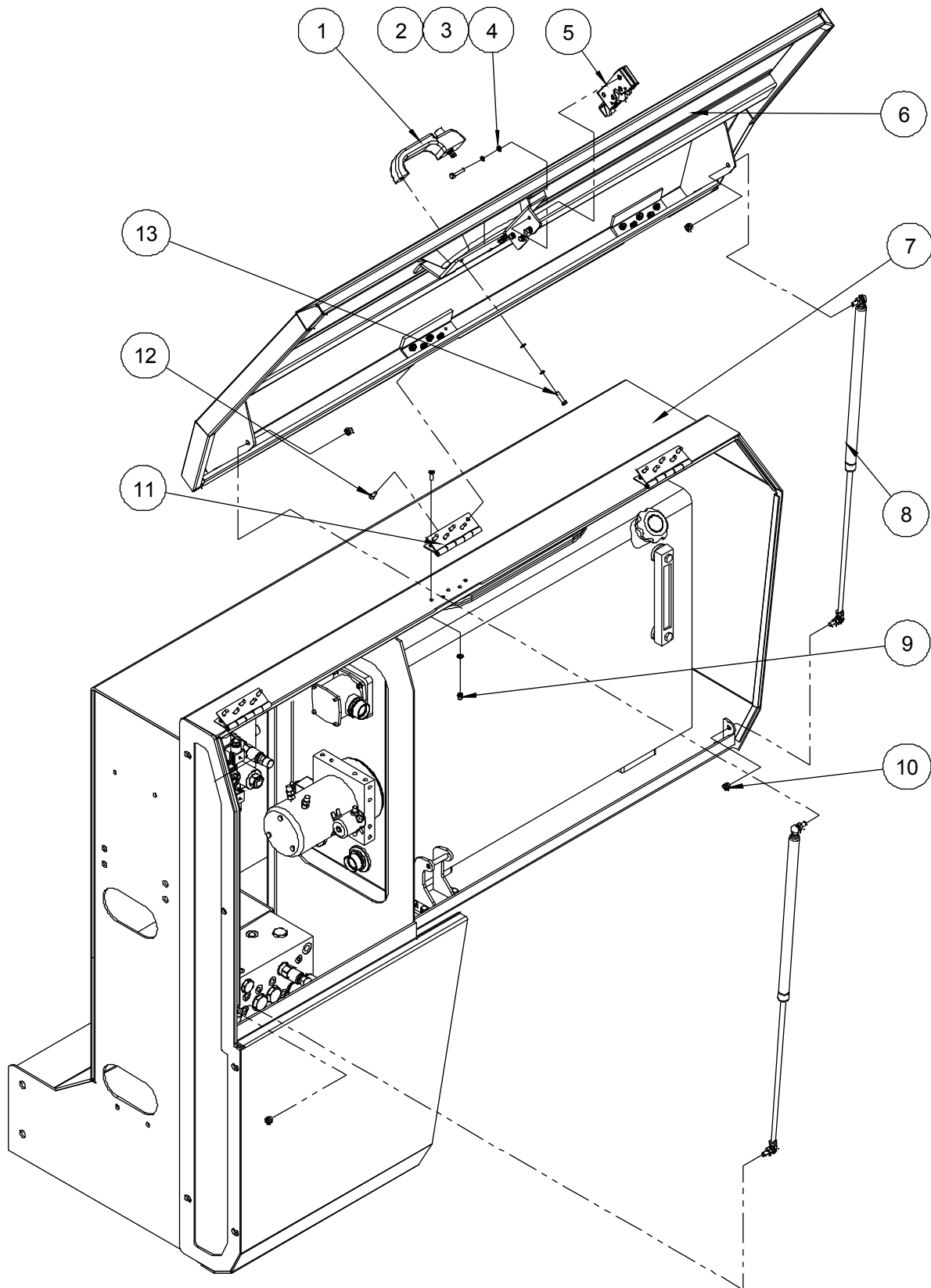
118.1 Hydraulic Tray Installation



118.1 Hydraulic Tray Installation

Item	Part No.	Description	Qty.
1	10003718	Hydraulic tray weldment	1
2	10003600	Frame weldment	1
3	10003764	Bracket weldment	1
4	00000615	Washer GB/T 97.1 10	8
5	00000679	Washer GB/T 93 10	8
6	00000684	Bolt GB/T 5783 M10×35	4
7	00000683	Bolt GB/T 5783 M10×30	4
8	00001257	Nut GB/T 6182 M16	4
9	00000997	Washer GB/T 97.1 16	6
10	00003071	Washer GB/T 96.1 16	2
11	00001161	Bolt GB/T 5783 M16×40	4

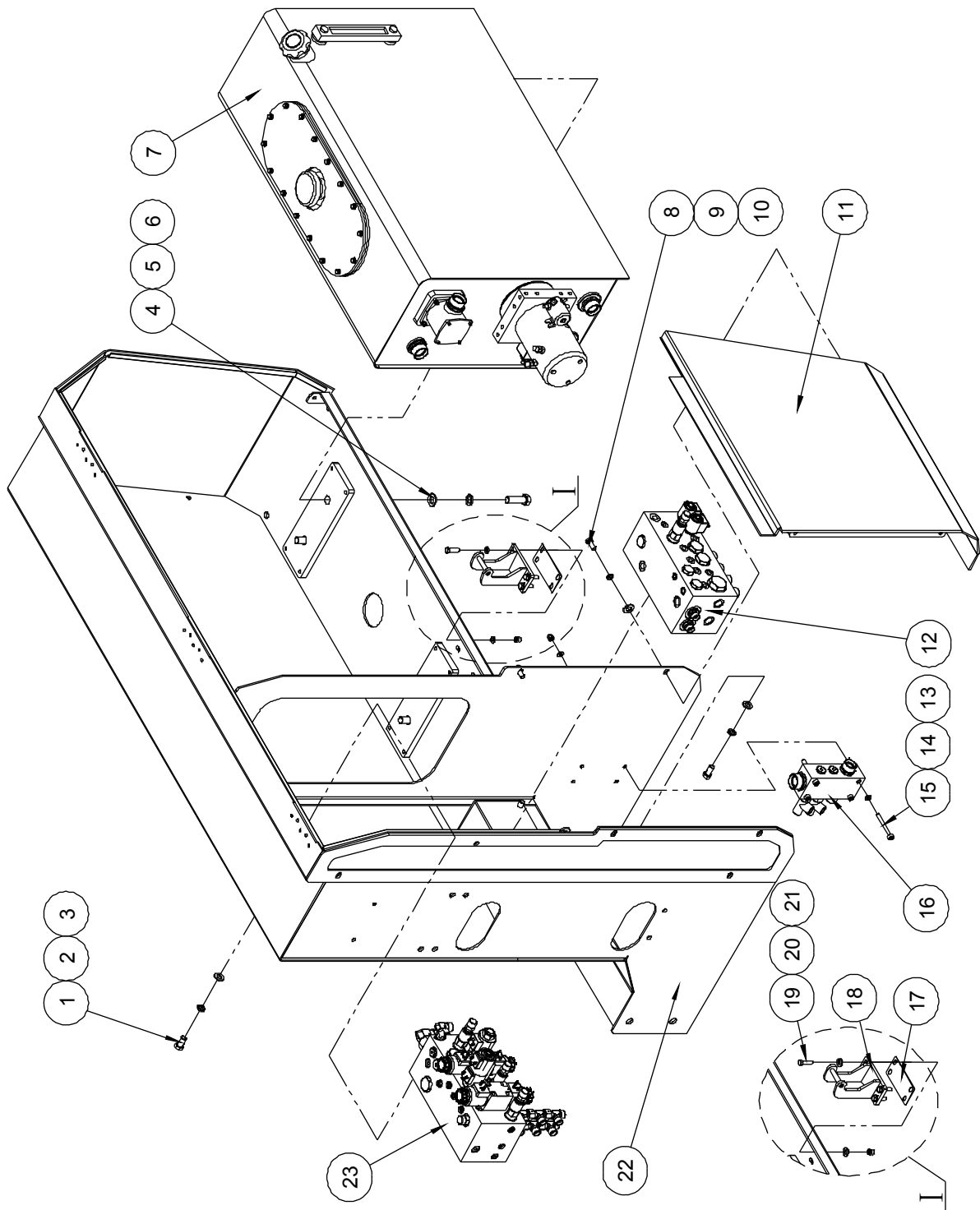
119.1 Hydraulic Tray Door Installation



119.1 Hydraulic Tray Door Installation

Item	Part No.	Description	Qty.
1	50000524	Handle	1
2	00000619	Bolt GB/T 5783 M6×25	4
3	00000621	Washer GB/T 93 6	7
4	00000620	Washer GB/T 97.1 6	22
5	10003744	Latch	1
6	10003735	Door	1
7	10003718	Hydraulic tray weldment	1
8	10004088	Gas shock	2
9	00001033	Nut GB/T 6182 M6	15
10	00001163	Nut GB/T 6182 M8	4
11	10004083	Hinge	3
12	00000831	Screw GB/T 70.3 M6×20	30
13	00000818	Bolt GB/T 5783 M6×16	3

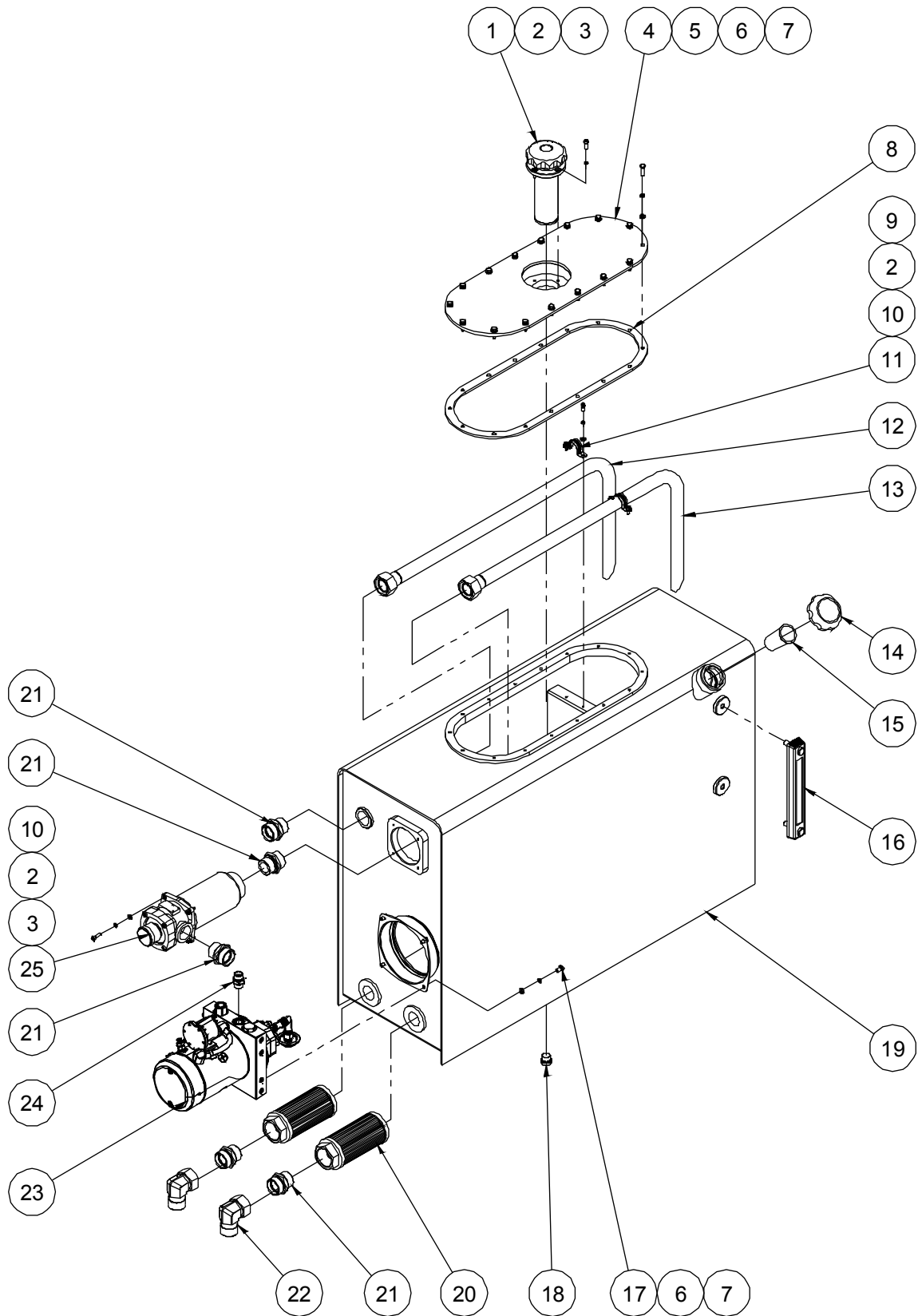
120.1 Hydraulic Tank and Manifolds Installation



120.1 Hydraulic Tank and Manifolds Installation

Item	Part No.	Description	Qty.
1	00000816	Bolt GB/T 5783 M12×25	6
2	00000815	Washer GB/T 93 12	6
3	00000814	Washer GB/T 97.1 12	6
4	00001057	Bolt GB/T 5783 M16×45	4
5	00001035	Washer GB/T 93 16	4
6	00000997	Washer GB/T 97.1 16	4
7		Hydraulic tank assembly (refer to 121.1)	1
8	00000683	Bolt GB/T 5783 M10×30	4
9	00000679	Washer GB/T 93 10	4
10	00001028	Washer GB/T 96.1 10	4
11	10003741	Cover	1
12		Drive manifold assembly (refer to 122.1)	1
13	00001860	Bolt GB/T 5782 M8×70	4
14	00000608	Washer GB/T 97.1 8	8
15	00000994	Nut GB/T 889.1 M8	4
16		Hydraulic hoses manifold assembly (refer to 123.1)	1
17	10003751	Adjusting plate	1
18	10003747	Lock clasp	1
19	00000995	Bolt GB/T 5783 M8×30	4
20	00002000	Washer GB/T 96.1 8	8
21	00001163	Nut GB/T 6182 M8	4
22	10003718	Hydraulic tray weldment	1
23		Function manifold assembly (refer to 124.1)	1

121.1 Hydraulic Tank Assembly



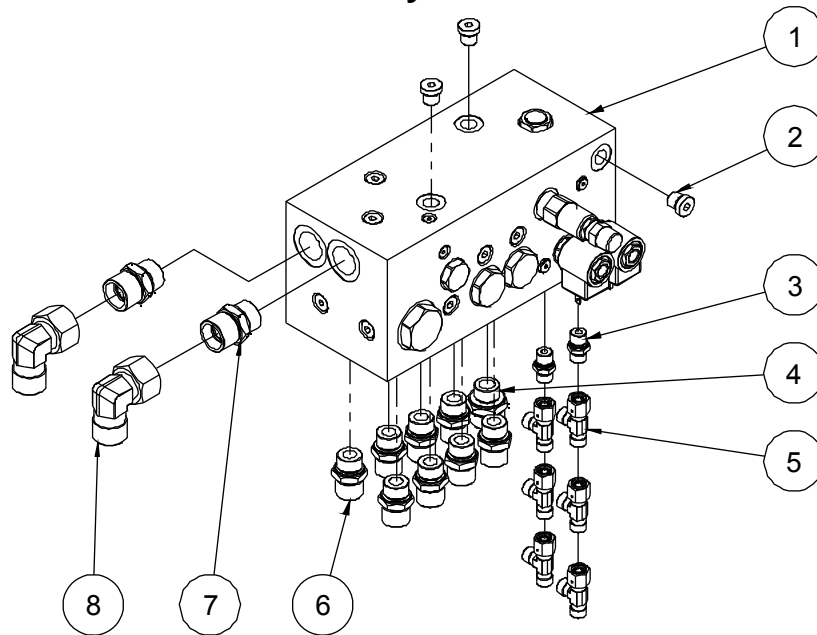
121.1 Hydraulic Tank Assembly

Item	Part No.	Description	Qty.
1	00000520	Air cleaner	1
2	00000606	Washer GB/T 93 5	12
3	00001246	Screw GB/T 70.1 M5×16	8
4	10003598	Cover weldment	1
5	00000743	Bolt GB/T 5783 M6×20	16
6	00000621	Washer GB/T 93 6	20
7	00000620	Washer GB/T 97.1 6	20
8	10003595	Rubber pad	1
9	00001252	Screw GB/T 70.1 M5×12	4
10	00000605	Washer GB/T 97.1 5	8
11	10003599	Clamp	2
12	10003973	Pipe	1
13	10003971	Pipe	1
14	00002153	Tank cover	1
15	00002154	Filter web	1
16	00001982	Level gauge	1
17	00000745	Bolt GB/T 5783 M6×12	4
18	00001074	Plug VSTI16×1.5ED	1
19	10003572	Hydraulic tank weldment	1
20	00000519	Suction filter	2
21	00002071	Straight fitting	6
22	00001837	Elbow	2
23	00003111	Hydraulic power unit	1
--	00004726	Pump	1
--	00004729	Motor	1
--	00004730	DC Contactor	1
--	00004724	Check valve	1
--	00004725	Relief valve	1
--	00004727	Filter web	1

121.1 Hydraulic Tank Assembly

Item	Part No.	Description	Qty.
24	00001501	Straight fitting	1
25	00003113	Return filter	1
--	00004416	Filter element	1

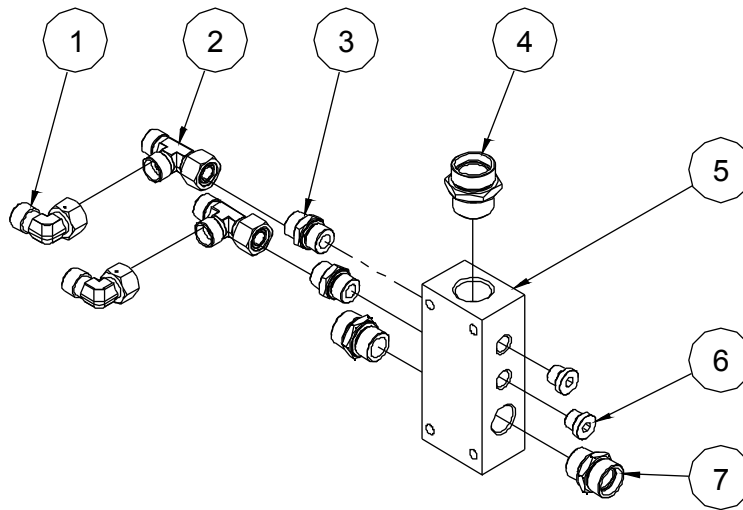
122.1 Drive Manifold Assembly



122.1 Drive Manifold Assembly

Item	Part No.	Description	Qty.
1	00003915	Drive manifold (refer to 407.1)	1
2	00001073	Plug VSTI14×1.5ED	3
3	00001282	Straight fitting	2
4	00001270	Straight fitting	1
5	00001237	Tee fitting	6
6	00001283	Straight fitting	8
7	00001285	Straight fitting	2
8	00001842	Elbow	2

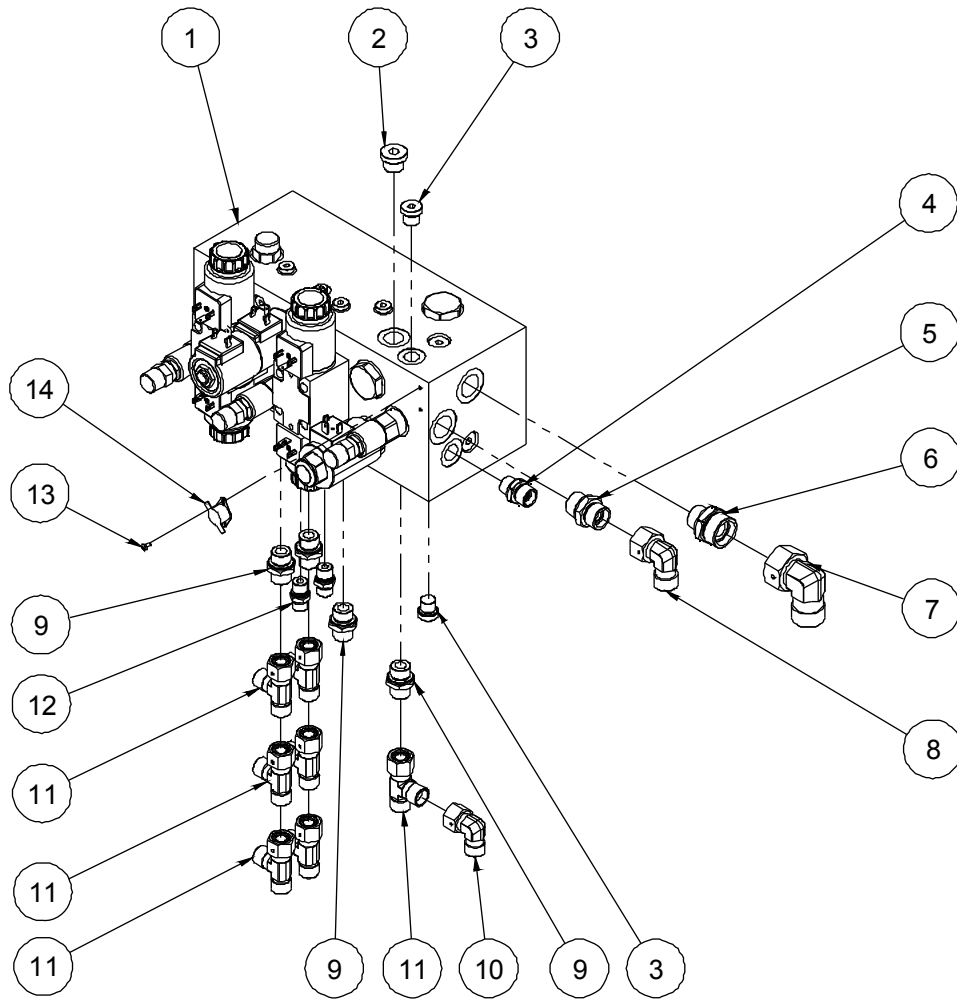
123.1 Hydraulic Hoses Manifold Assembly



123.1 Hydraulic Hoses Manifold Assembly

Item	Part No.	Description	Qty.
1	00001835	Elbow	2
2	00001240	Tee fitting	2
3	00001266	Straight fitting	2
4	00002071	Straight fitting	1
5	00002183	Manifold	1
6	00001074	Plug VST116×1.5ED	2
7	00001269	Straight fitting	2

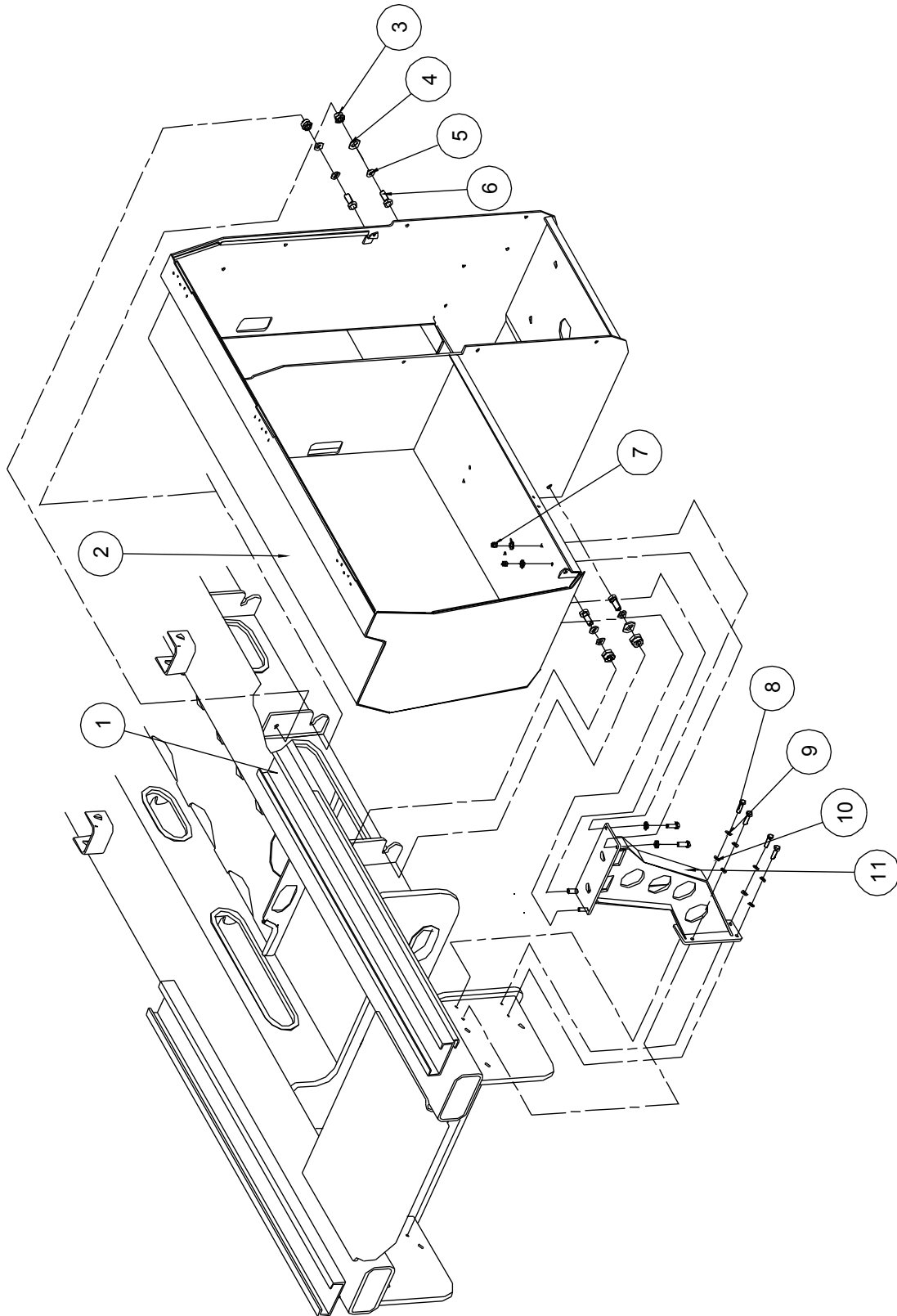
124.1 Function Manifold Assembly



124.1 Function Manifold Assembly

Item	Part No.	Description	Qty.
1	00003993	Function manifold (refer to 406.1)	1
2	00001075	Plug VSTI18×1.5ED	1
3	00001073	Plug VSTI14×1.5ED	2
4	00001294	Straight fitting	1
5	00001266	Straight fitting	1
6	00001270	Straight fitting	1
7	00001836	Elbow	1
8	00001835	Elbow	1
9	00001262	Straight fitting	4
10	00001834	Elbow	1
11	00001239	Tee fitting	7
12	00001282	Straight fitting	2
13	00003548	Screw GB/T 818 M3×6 - H	2
14	00003376	Temperature switch	1

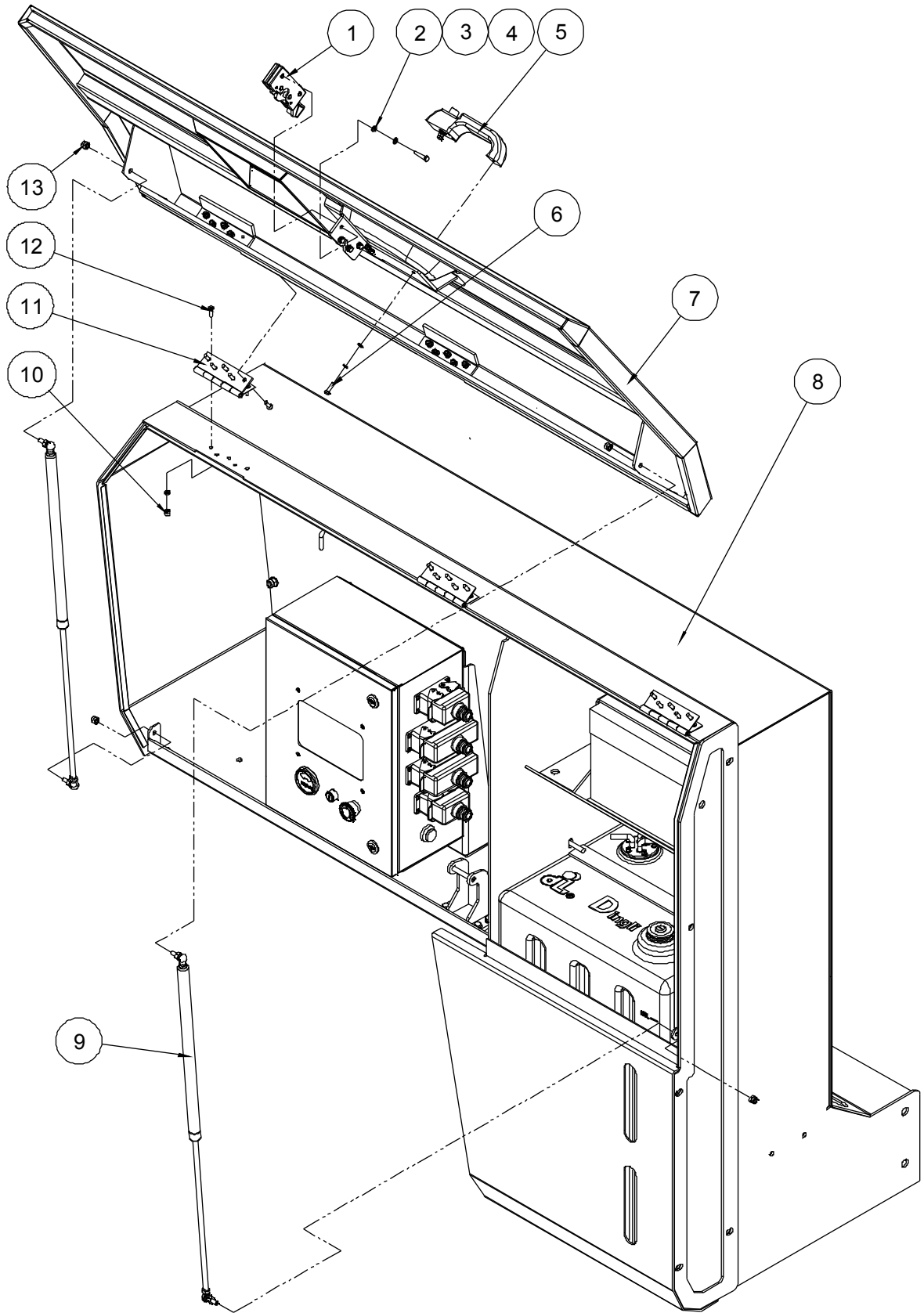
125.1 Ground Control Tray Installation



125.1 Ground Control Tray Installation

Item	Part No.	Description	Qty.
1	10003600	Frame weldment	1
2	10003777	Ground control tray weldment	1
3	00001257	Nut GB/T 6182 M16	4
4	00000997	Washer GB/T 97.1 16	6
5	00003071	Washer GB/T 96.1 16	2
6	00001161	Bolt GB/T 5783 M16×40	4
7	00000623	Nut GB/T 6182 M10	4
8	00000684	Bolt GB/T 5783 M10×35	8
9	00000679	Washer GB/T 93 10	4
10	00000615	Washer GB/T 97.1 10	12
11	10003764	Bracket weldment	1

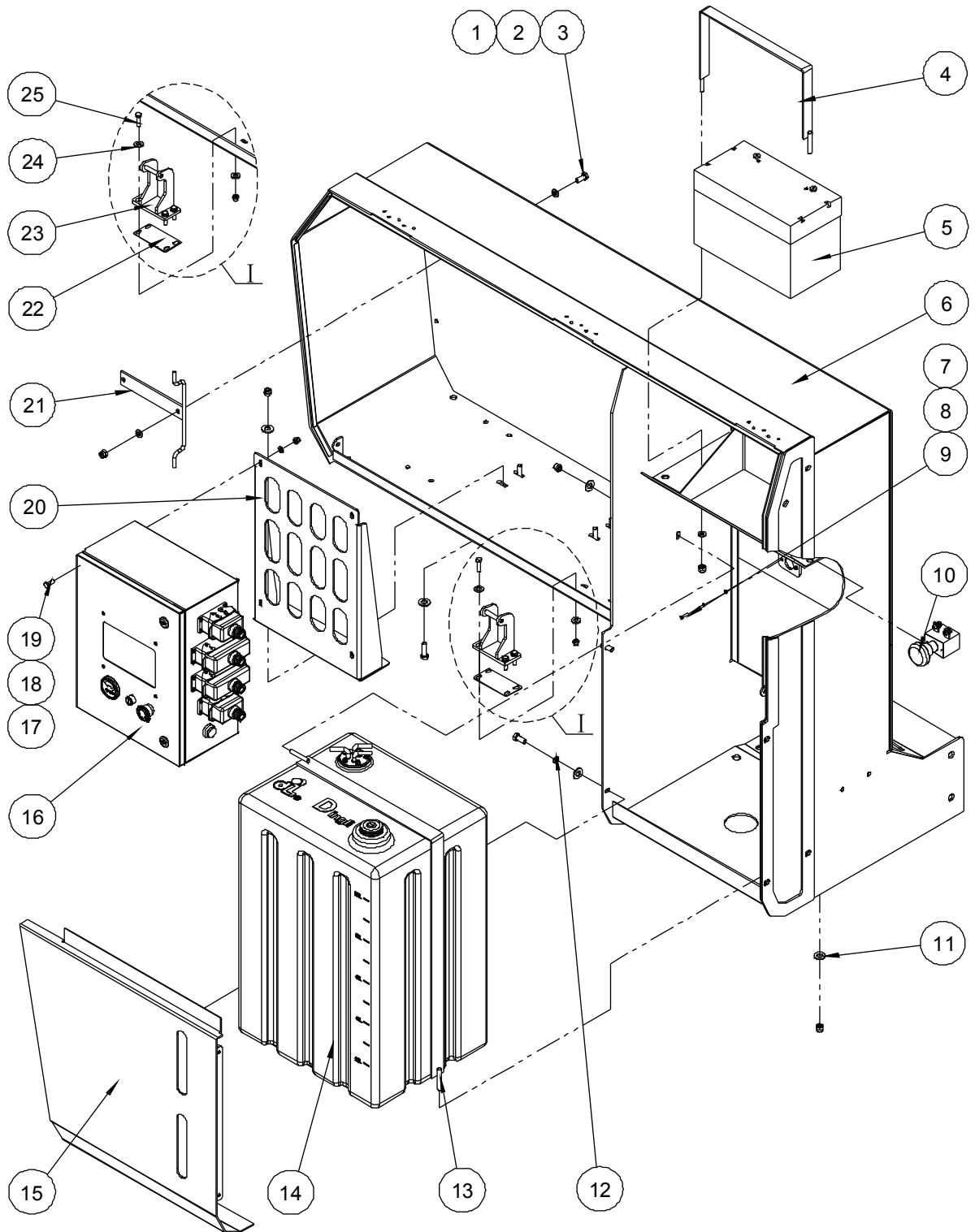
126.1 Ground Control Tray Door Installation



126.1 Ground Control Tray Door Installation

Item	Part No.	Description	Qty.
1	10003802	Latch	1
2	00000619	Bolt GB/T 5783 M6×25	4
3	00000621	Washer GB/T 93 6	7
4	00000620	Washer GB/T 97.1 6	22
5	50000524	Handle	1
6	00000818	Bolt GB/T 5783 M6×16	3
7	10003792	Door	1
8	10003777	Ground control tray weldment	1
9	10004088	Gas shock	2
10	00001033	Nut GB/T 6182 M6	15
11	10004083	Hinge	3
12	00000831	Screw GB/T 70.3 M6×20	30
13	00001163	Nut GB/T 6182 M8	4

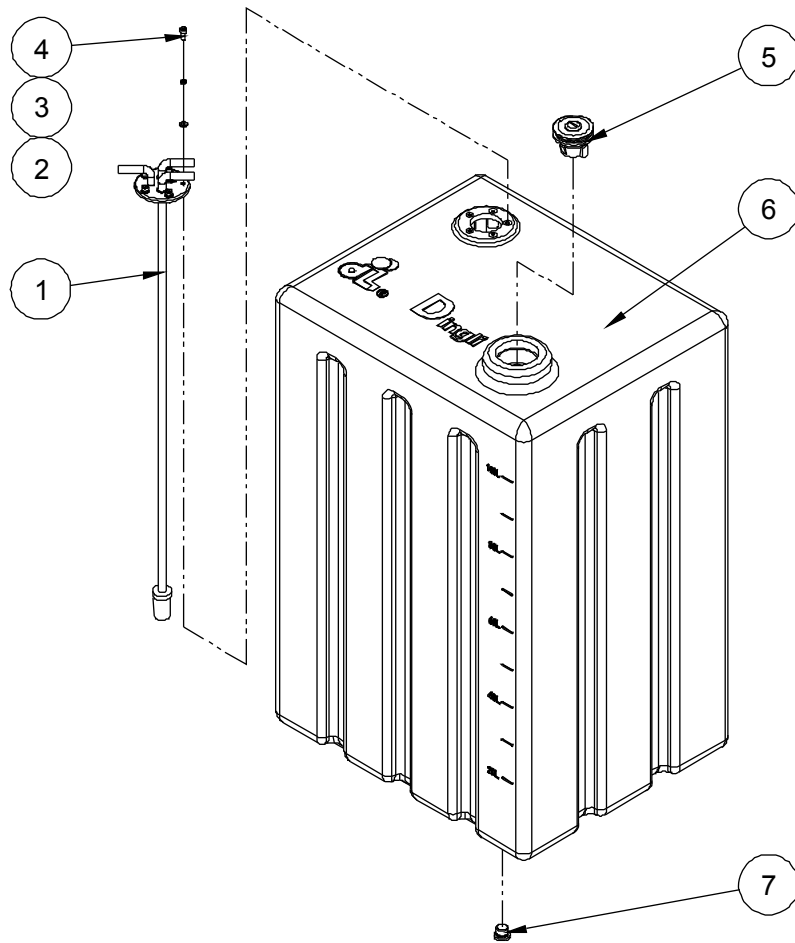
127.1 Fuel Tank and Ground Control Installation



127.1 Fuel Tank and Ground Control Installation

Item	Part No.	Description	Qty.
1	00000683	Bolt GB/T 5783 M10×30	9
2	00000615	Washer GB/T 97.1 10	2
3	00000623	Nut GB/T 6182 M10	7
4	10003806	Battery keeper bar	1
5	00004485	Battery	1
6	10003777	Ground control tray weldment	1
7	00000607	Screw GB/T 818 M5×12 - H	2
8	00000606	Washer GB/T 93 5	2
9	00000605	Washer GB/T 97.1 5	2
10	00000655	Power switch	1
11	00001028	Washer GB/T 96.1 10	10
12	00000679	Washer GB/T 93 10	4
13	10003803	Tank strap	1
14		Fuel tank assembly (refer to 128.1)	1
15	10003818	Cover	1
16		Ground control box assembly (refer to 129.1)	1
17	00000875	Bolt GB/T 5783 M8×20	4
18	00000608	Washer GB/T 97.1 8	4
19	00001163	Nut GB/T 6182 M8	4
20	10003801	Ground control box bracket	1
21	10003798	Wire winding seat	1
22	10003751	Adjusting plate	1
23	10003747	Lock clasp	1
24	00002000	Washer GB/T 96.1 8	8
25	00000995	Bolt GB/T 5783 M8×30	4

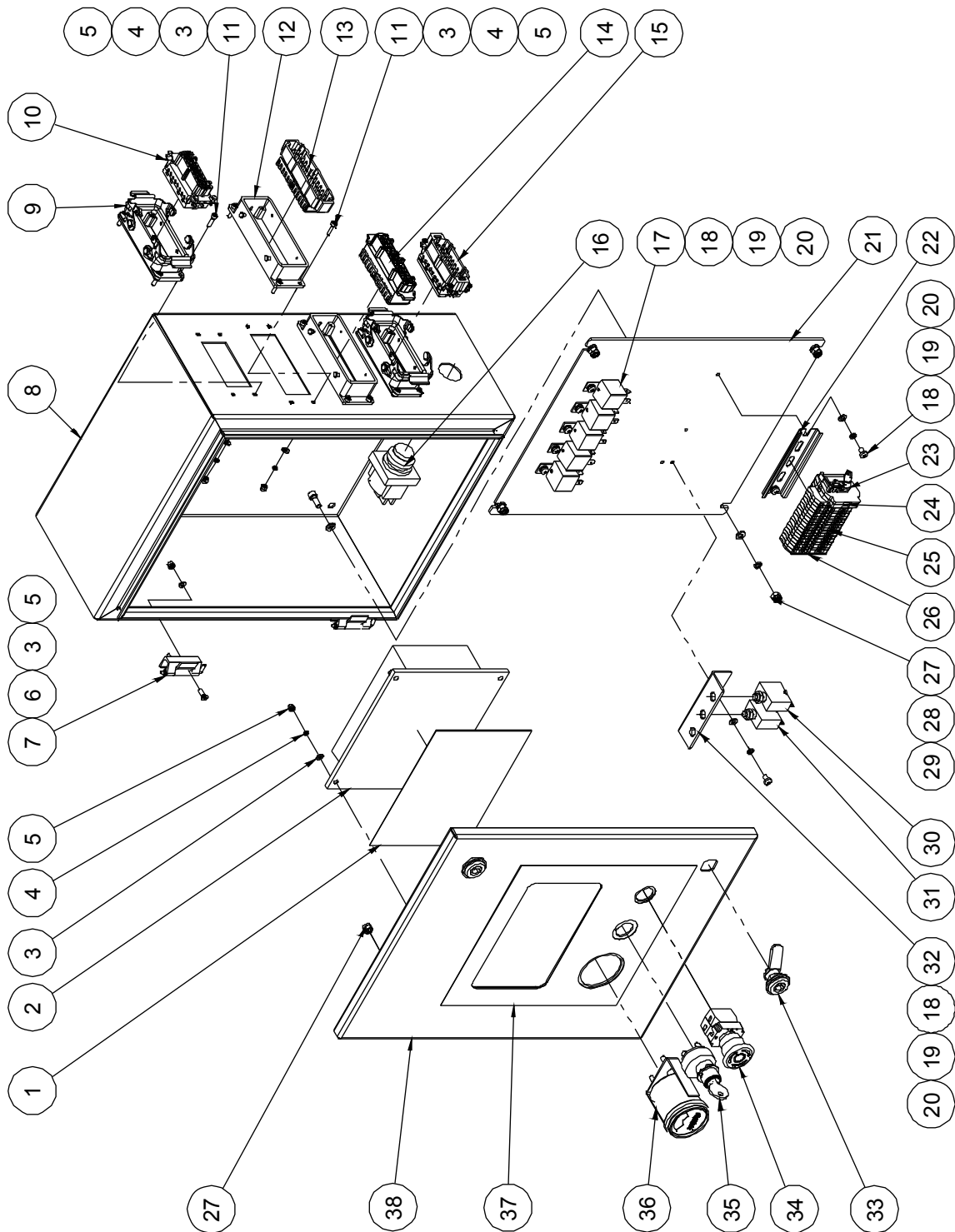
128.1 Fuel Tank Assembly



128.1 Fuel Tank Assembly

Item	Part No.	Description	Qty.
1	10004087	Pipe	1
2	00001030	Screw GB/T 70.1 M5×10	5
3	00000606	Washer GB/T 93 5	5
4	00000605	Washer GB/T 97.1 5	5
5	10004086	Tank cover	1
6	10004085	Fuel tank	1
7	00001074	Plug VSTI16×1.5ED	1

129.1 Ground Control Box Assembly



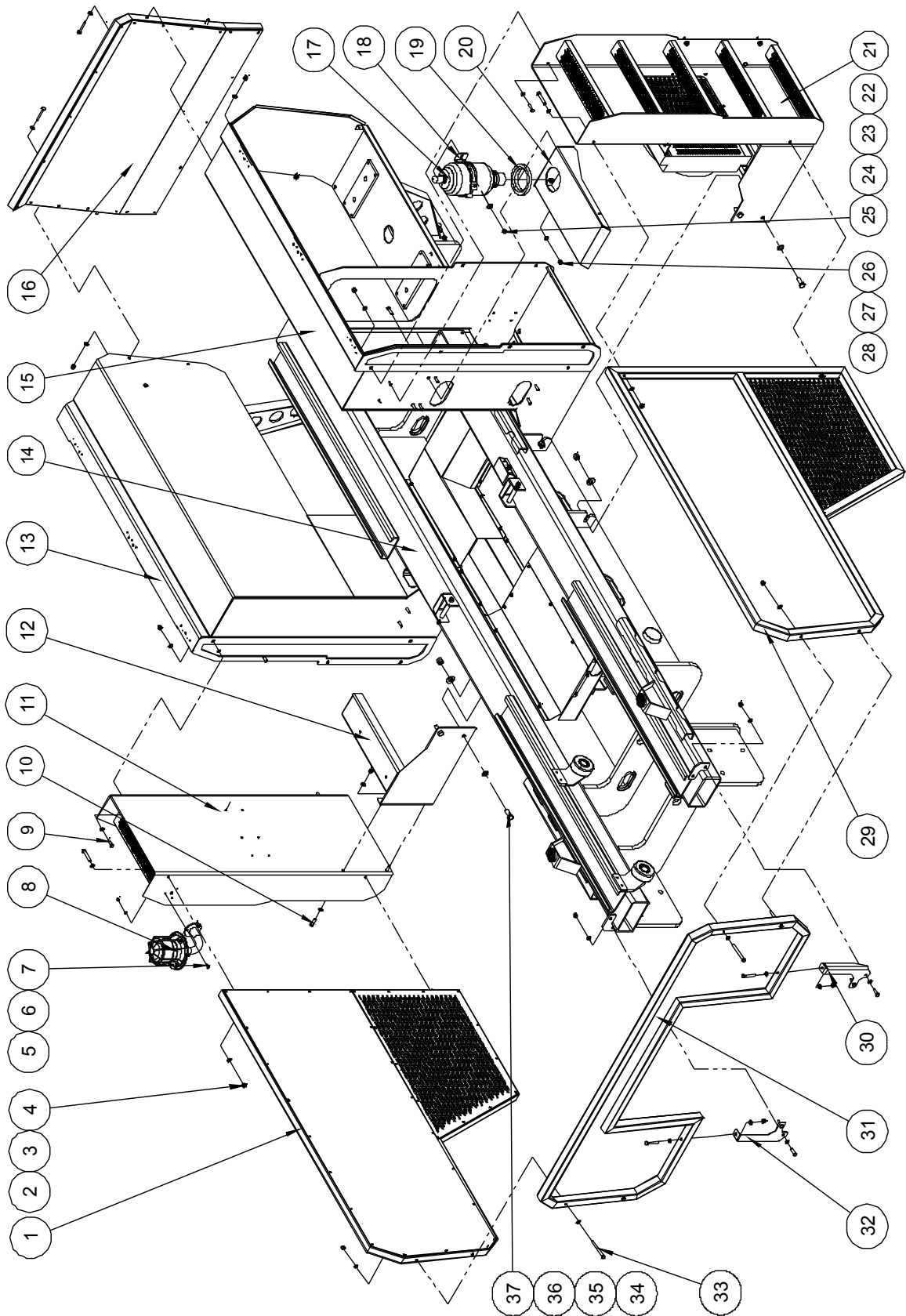
129.1 Ground Control Box Assembly

Item	Part No.	Description	Qty.
1	09110017	Decal, Ground control panel	1
2	00003711	Controller	1
3	00000778	Washer GB/T 97.1 4	24
4	00000779	Washer GB/T 93 4	20
5	00001236	Nut GB/T 889.1 M4	24
6	00001255	Screw GB/T 819 M4×14 - Z	4
7	50000217	Hinge	2
8	10004952	Ground control box weldment	1
9	00002719	Housing	2
10	00002717	Female insert	1
11	00000604	Screw GB/T 70.1 M4×16	16
12	00000732	Housing	2
13	00000730	Male insert	1
14	00000728	Female insert	1
15	00002718	Male insert	1
16	00002245	Alarm	1
17	00002206	Relay	5
18	00002391	Screw GB/T 818 M5×8 - H	9
19	00000606	Washer GB/T 93 5	9
20	00000605	Washer GB/T 97.1 5	9
21	10004972	Mounting plate	1
22	10004977	Terminal rail	1
23	00000660	End, Fixation	2
24	00002235	Diode	2
25	00000659	End, Straight	18
26	00002593	End, Plate	1
27	00000742	Nut GB/T 889.1 M6	6
28	00000621	Washer GB/T 93 6	4
29	00000620	Washer GB/T 97.1 6	8

129.1 Ground Control Box Assembly

Item	Part No.	Description	Qty.
30	00002597	Circuit breaker	1
31	00002208	Circuit breaker	1
32	10004973	Circuit breaker bracket	1
33	00001296	Latch, Column	2
34	00000923	Emergency stop switch	1
--	00001245	NC contact	1
--	00000752	Base with 1 NC contact	1
--	00000754	Red mushroom head	1
35	00001243	Key switch	1
--	00003050	Key	1
36	00004428	Hour meter	1
37	09110021	Decal, Ground control panel	1
38	10004954	Ground control box cover	1

130.1 Link Guard and Ladder



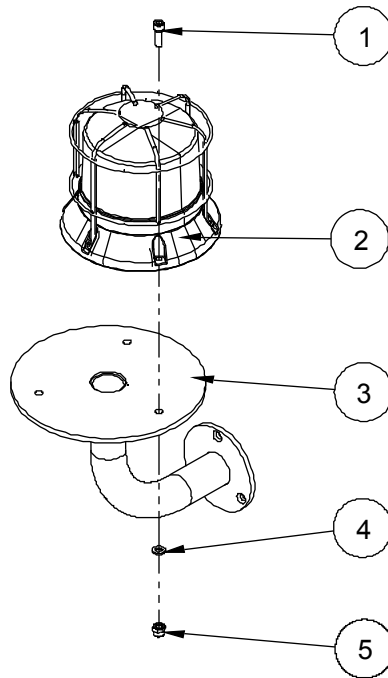
130.1 Link Guard and Ladder

Item	Part No.	Description	Qty.
1	10003904	Side link guard assembly	1
2	00001984	Bolt GB/T 5782 M10×60	10
3	00000615	Washer GB/T 97.1 10	60
4	00000623	Nut GB/T 6182 M10	30
5	00000832	Screw GB/T 70.3 M6×25	3
6	00000620	Washer GB/T 97.1 6	3
7	00001033	Nut GB/T 6182 M6	3
8		Beacon assembly (refer to 131.1)	1
9	00000683	Bolt GB/T 5783 M10×30	6
10	00000684	Bolt GB/T 5783 M10×35	10
11	10003810	Ladder	1
12	10003808	Ladder bracket	1
13	10003777	Ground control tray weldment	1
14	10003600	Frame weldment	1
15	10003718	Hydraulic tray weldment	1
16	10003915	Rear link guard assembly	1
17	00003942	Accumulator	1
18	00003944	Accumulator clip	1
19	10000197	Gasket	1
20	10003816	Oil cooler cover	1
21		Ladder and oil cooler assembly (refer to 132.1)	1
22	00000993	Bolt GB/T 5783 M8×25	2
23	00000608	Washer GB/T 97.1 8	2
24	00002000	Washer GB/T 96.1 8	2
25	00001163	Nut GB/T 6182 M8	2
26	00002059	Bolt GB/T 5783 M12×30	4
27	00000814	Washer GB/T 97.1 12	8
28	00001249	Nut GB/T 6182 M12	4
29	10003914	Side link guard assembly	1

130.1 Link Guard and Ladder

Item	Part No.	Description	Qty.
30	10003927	Front link guard bracket	1
31	10003894	Front link guard assembly	1
32	10003926	Front link guard bracket	1
33	00001040	Bolt GB/T 5782 M10×100	4
34	00001161	Bolt GB/T 5783 M16×40	4
35	00000997	Washer GB/T 97.1 16	6
36	00003071	Washer GB/T 96.1 16	2
37	00001257	Nut GB/T 6182 M16	4

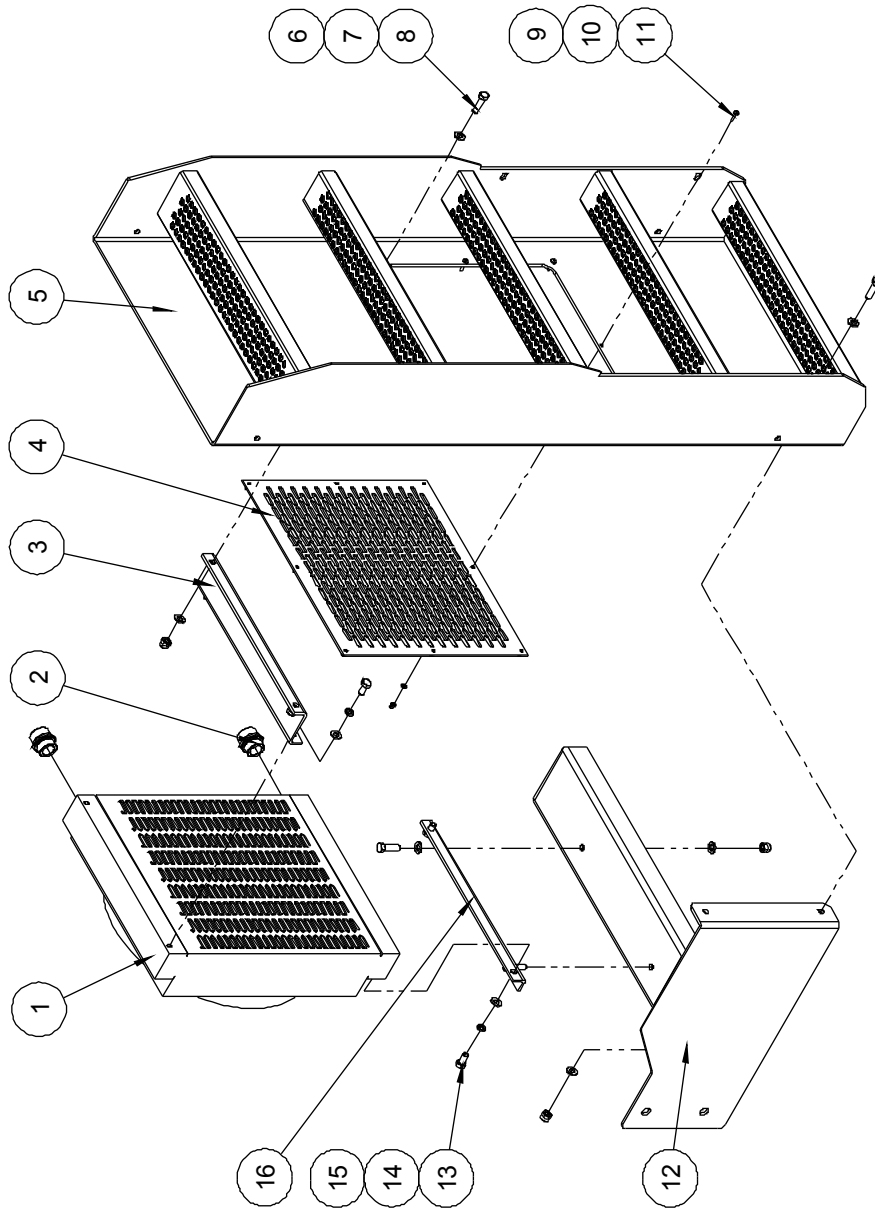
131.1 Beacon Assembly



131.1 Beacon Assembly

Item	Part No.	Description	Qty.
1	00000774	Screw GB/T 70.1 M6×20	3
2	00004757	Beacon	1
3	10005463	Beacon bracket weldment	1
4	00000620	Washer GB/T 97.1 6	3
5	00001033	Nut GB/T 6182 M6	3

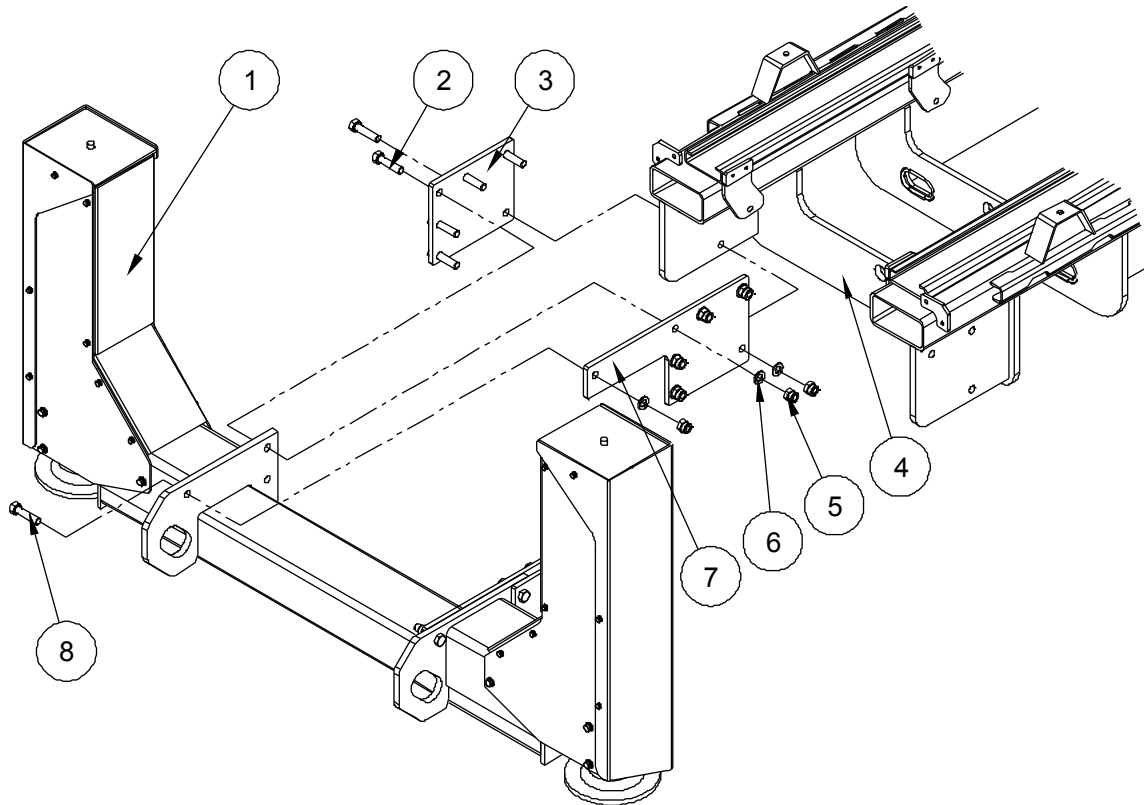
132.1 Ladder and Oil Cooler Assembly



132.1 Ladder and Oil Cooler Assembly

Item	Part No.	Description	Qty.
1	00003941	Oil cooler	1
2	00002071	Straight fitting	2
3	10003775	Oil cooler mount plate	1
4	10003758	Oil cooler cover	1
5	10003753	Ladder	1
6	00000683	Bolt GB/T 5783 M10×30	6
7	00000615	Washer GB/T 97.1 10	12
8	00000623	Nut GB/T 6182 M10	6
9	00001013	Screw GB/T 973 M5×20	8
10	00000605	Washer GB/T 97.1 5	8
11	00000613	Nut GB/T 6182 M5	8
12	10003771	Oil cooler bracket weldment	1
13	00000875	Bolt GB/T 5783 M8×20	4
14	00000609	Washer GB/T 93 8	4
15	00000608	Washer GB/T 97.1 8	4
16	10003774	Oil cooler mount plate	1

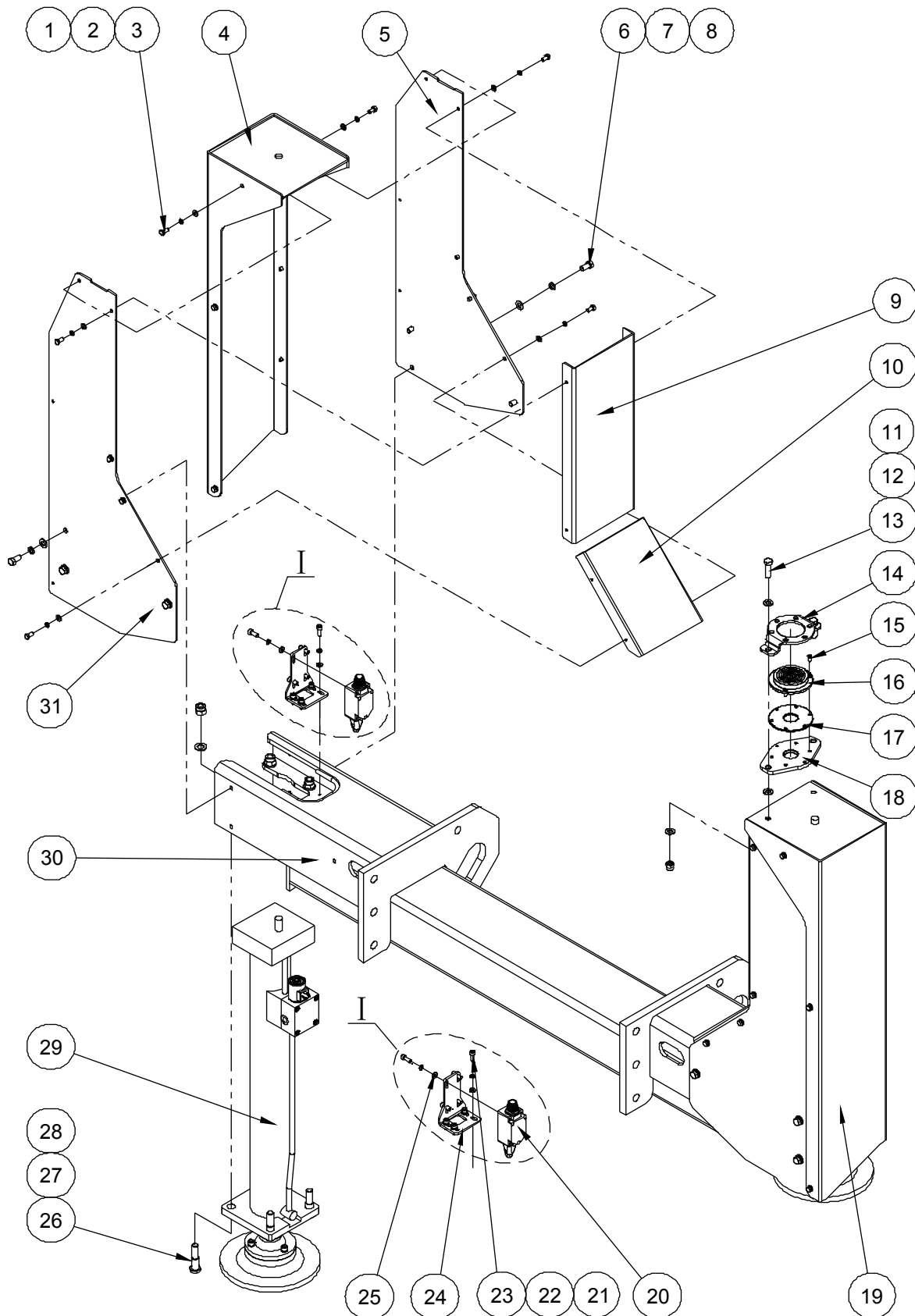
133.1 Outrigger Installation



133.1 Outrigger Installation

Item	Part No.	Description	Qty.
1		Outrigger assembly (refer to 134.1)	1
2	00004231	Bolt GB/T 5782 M20×80	12
3	10003831	Outrigger mount plate	2
4	10003600	Frame weldment	1
5	00001051	Nut GB/T 6182 M20	14
6	00001050	Washer GB/T 97.1 20	28
7	10003830	Outrigger mount plate	2
8	00003606	Bolt GB/T 5782 M20×70	12

134.1 Outrigger Assembly



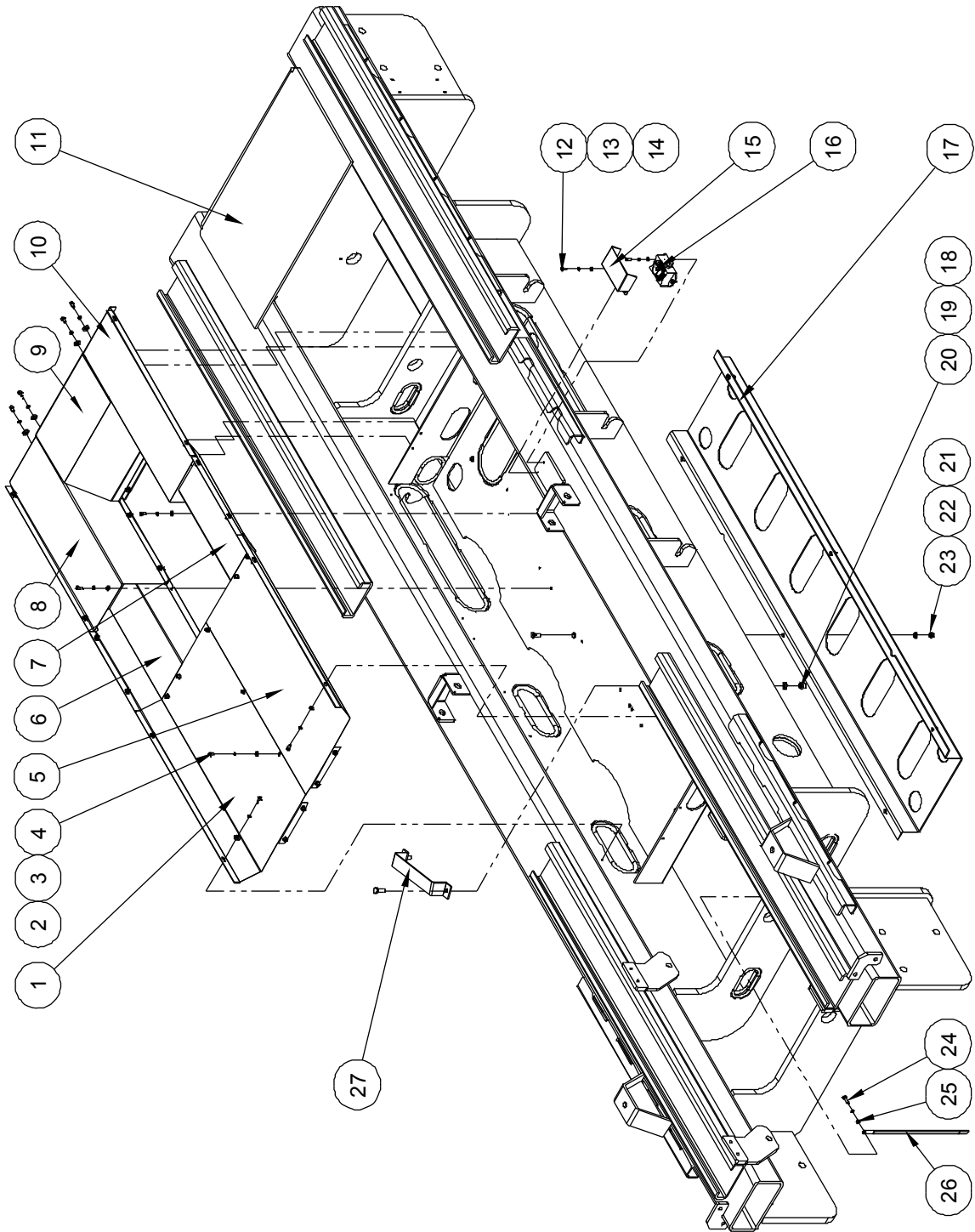
134.1 Outrigger Assembly

Item	Part No.	Description	Qty.
1	00000875	Bolt GB/T 5783 M8×20	28
2	00000609	Washer GB/T 93 8	28
3	00000608	Washer GB/T 97.1 8	28
4	10003843	Right outrigger housing	1
5	10003838	Cover	2
6	00000816	Bolt GB/T 5783 M12×25	12
7	00000815	Washer GB/T 93 12	12
8	00000814	Washer GB/T 97.1 12	12
9	10003832	Cover	2
10	10003835	Cover	2
11	00000684	Bolt GB/T 5783 M10×35 (Option)	2
12	00000615	Washer GB/T 97.1 10 (Option)	2
13	00000623	Nut GB/T 6182 M10 (Option)	2
14	10004260	Bubble level cover	1
15	00002336	Screw GB/T 819 M5×14 - H (Option)	3
16	10004259	Bubble level (Option)	1
17	10004271	Rubber pad (Option)	1
18	10003797	Bubble level mount plate (Option)	1
19	10003840	Left outrigger housing	1
20	00000750	Limit switch	1
21	00000876	Screw GB/T 70.1 M6×16	16
22	00000621	Washer GB/T 93 6	16
23	00002583	Washer GB/T 96.1 6	12
24	10003845	Switch bracket	2
25	00000620	Washer GB/T 97.1 6	4
26	10003839	Screw	8
27	00000997	Washer GB/T 97.1 16	8
28	00001257	Nut GB/T 6182 M16	8

134.1 Outrigger Assembly

Item	Part No.	Description	Qty.
29		Outrigger cylinder assembly (without seal kit) (refer to 405.1)	2
30	10003823	Outrigger yoke	1
31	10003837	Cover	2

135.1 Chassis Accessory Installation

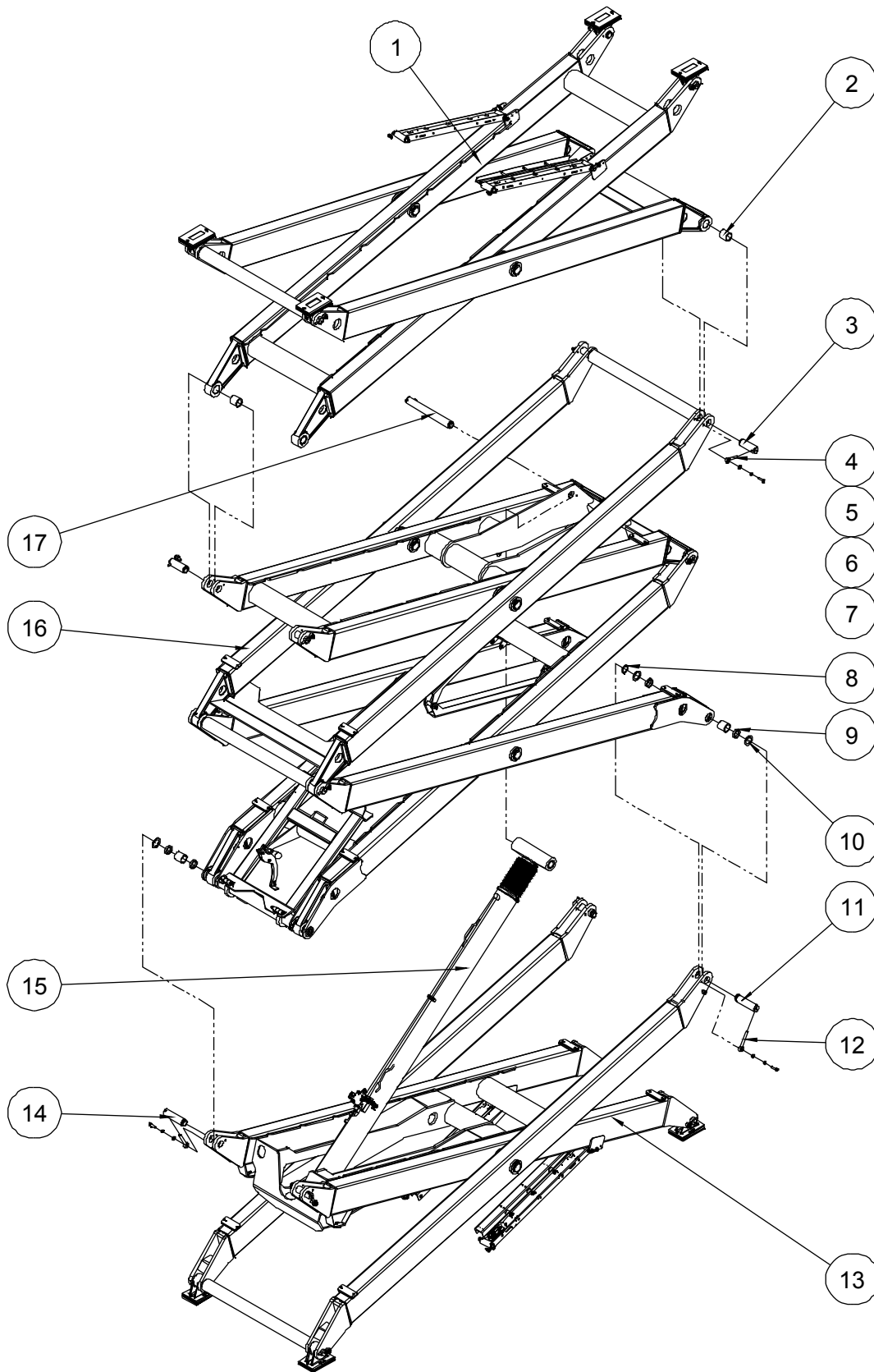


135.1 Chassis Accessory Installation

Item	Part No.	Description	Qty.
1	10003878	Cover	1
2	00000876	Screw GB/T 70.1 M6×16	37
3	00000621	Washer GB/T 93 6	38
4	00002583	Washer GB/T 96.1 6	37
5	10003891	Cover	1
6	10003879	Cover	1
7	10003888	Cover	1
8	10003882	Cover	1
9	10003885	Cover	1
10	10003886	Cover	1
11	10003600	Frame weldment	1
12	00001252	Screw GB/T 70.1 M5×12	4
13	00000606	Washer GB/T 93 5	4
14	00000605	Washer GB/T 97.1 5	4
15	10003942	Tilt sensor cover	1
16	00003962	Tilt sensor	1
17	10003929	Hose box	1
18	00000678	Bolt GB/T 5783 M10×25	2
19	00000615	Washer GB/T 97.1 10	4
20	00000623	Nut GB/T 6182 M10	2
21	00000838	Screw GB/T 70.3 M8×25	6
22	00000608	Washer GB/T 97.1 8	6
23	00001163	Nut GB/T 6182 M8	6
24	00000743	Bolt GB/T 5783 M6×20	2
25	0000620	Washer GB/T 97.1 6	1
26	10002979	Ground strap	1
27	10003928	Hose clamp	1

Section 2 Scissor

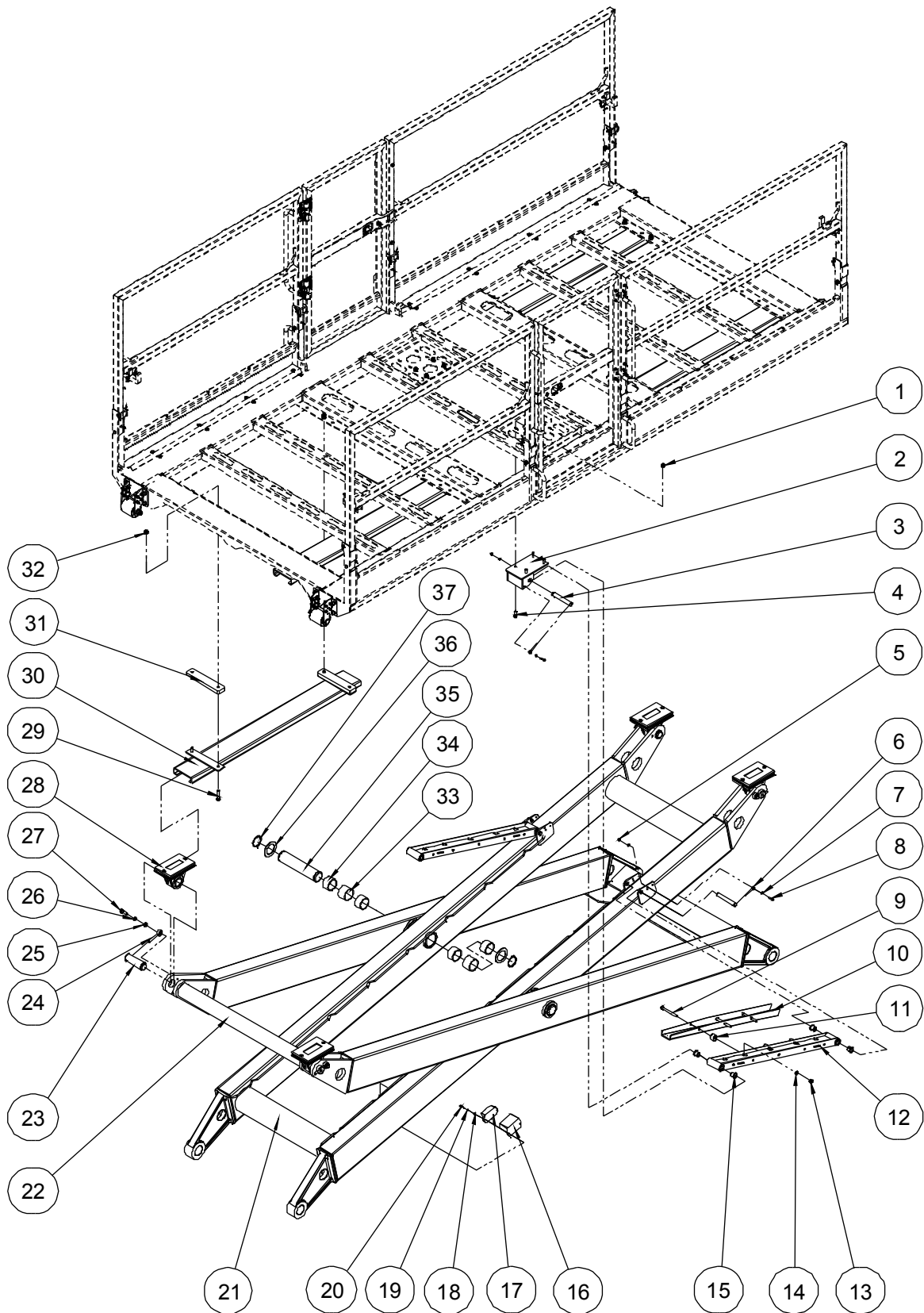
201.1 Scissor Assembly (SL1323-AWD)



201.1 Scissor Assembly (SL1323-AWD)

Item	Part No.	Description	Qty.
1		Scissor arm assembly 4 (SL1323-AWD) (refer to 202.1)	1
2	00000423	8813-455555 Bearing	8
3	00003841	896B-45×120.5 Pin	4
4	00002464	8902-12085 Pin	6
5	00000814	Washer GB/T 97.1 12	10
6	00000815	Washer GB/T 93 12	10
7	00001055	Bolt GB/T 5783 M12×40	10
8	00000790	Circlips JB/ZQ 4342-45	2
9	00000420	8813-455512 Bearing	8
10	10003251	Washer	6
11	10003478	Pin	2
12	00002465	8902-12120 Pin	4
13		Scissor arm assembly 1 (refer to 207.1)	1
14	00003842	896B-45×163.5 Pin	2
15		Lower lift cylinder assembly (without seal kit) (refer to 401.1)	1
16		Scissor arm assembly 2-3 (SL1323-AWD) (refer to 204.1)	1
17	00000578	896-45×373.5 Pin	2

202.1 Scissor Arm Assembly 4 (SL1323-AWD)



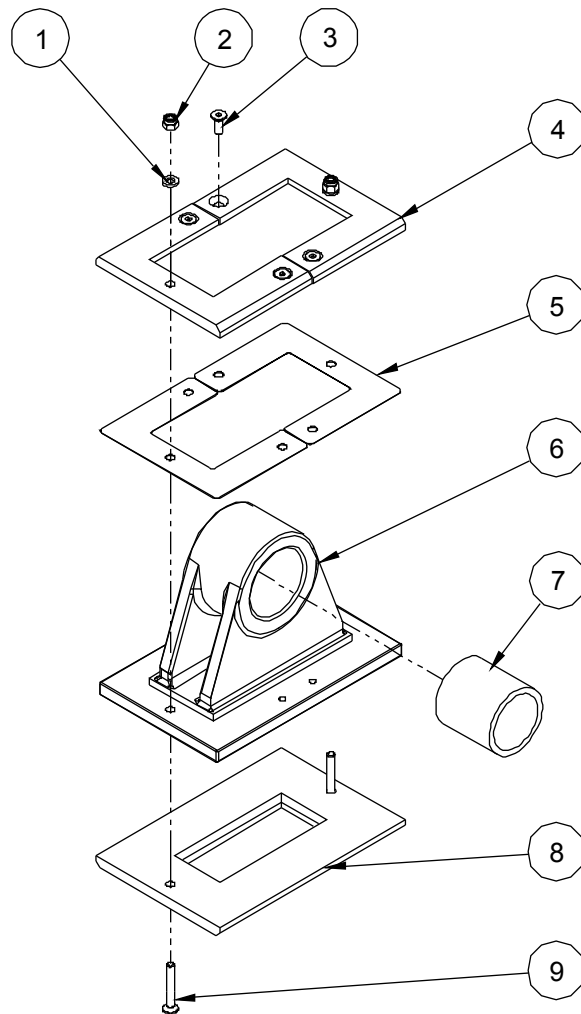
202.1 Scissor Arm Assembly 4 (SL1323-AWD)

Item	Part No.	Description	Qty.
1	00002572	Nut GB/T 6183.1 M10	8
2	10004313	Link anchor platform weldment	2
3	00000572	896-20128 Pin	4
4	00000683	Bolt GB/T 5783 M10×30	8
5	00001033	Nut GB/T 6182 M6	4
6	00000218	8902-06065 Pin	4
7	00000620	Washer GB/T 97.1 6	4
8	00000775	Bolt GB/T 5783 M6×30	4
9	00001037	Bolt GB/T 5782 M10×110	3
10	10003253	Cable bridge	1
11	10003255	Spacer	3
12	10003482	Centering link weldment	2
13	00000623	Nut GB/T 6182 M10	3
14	00000615	Washer GB/T 97.1 10	3
15	00000251	8822-20215 Bearing	8
16	10000251	Sensor cover	1
17	00000695	Angle sensor	1
18	00000778	Washer GB/T 97.1 4	2
19	00000779	Washer GB/T 93 4	2
20	00001054	Screw GB/T 70.1 M4×12	2
21	10003111	Inner arm V	1
22	10003108	Outer arm V	1
23	00003841	896B-45×120.5 Pin	4
24	00002464	8902-12085 Pin	4
25	00000814	Washer GB/T 97.1 12	4
26	00000815	Washer GB/T 93 12	4
27	00001055	Bolt GB/T 5783 M12×40	4
28	10003102	Slider assembly (refer to 203.1)	4
29	00004433	Bolt GB/T 5783 M12×50	16

202.1 Scissor Arm Assembly 4 (SL1323-AWD)

Item	Part No.	Description	Qty.
30	10004310	Slider channel	4
31	10005037	Shim plate	8
32	00002576	Nut GB/T 6183.1 M12	16
33	10003252	Spacer sleeve	4
34	00000430	8813-607040 Bearing	8
35	00000087	899-60268 Pin	2
36	10003250	Washer	4
37	00000953	Circlips GB/T 894.1-60	4

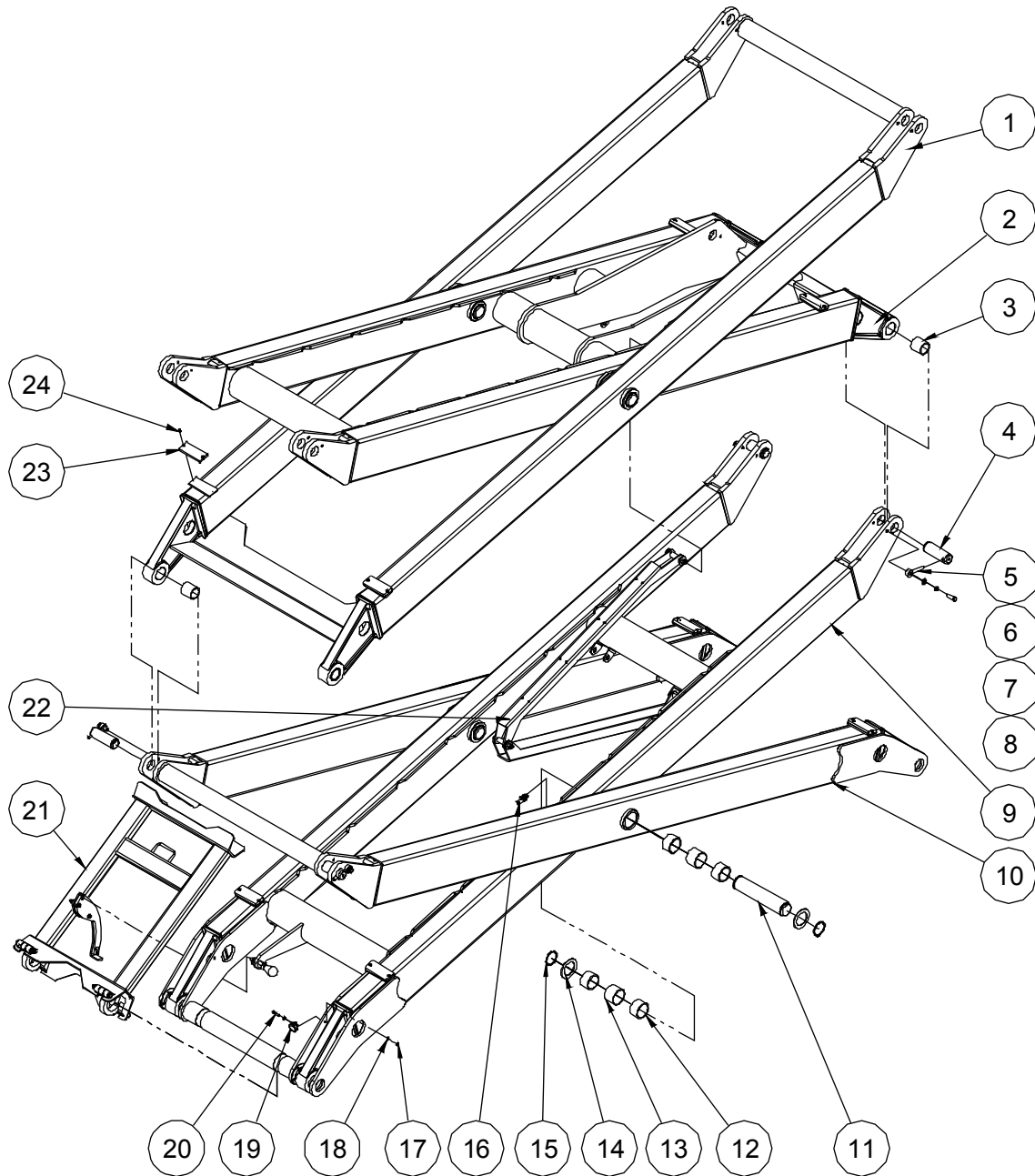
203.1 Slider Assembly



203.1 Slider Assembly

Item	Part No.	Description	Qty.
1	00000620	Washer GB/T 97.1 6	2
2	00001033	Nut GB/T 6182 M6	2
3	00000830	Screw GB/T 70.3 M6×16	4
4	10003118	Upper slider	2
5	10003120	Adjusting plate	2
6	10003117	Slider foot weldment	1
7	00000423	8813-455555 Bearing	1
8	10003119	Lower slider	1
9	00000834	Screw GB/T 70.3 M6×40	2

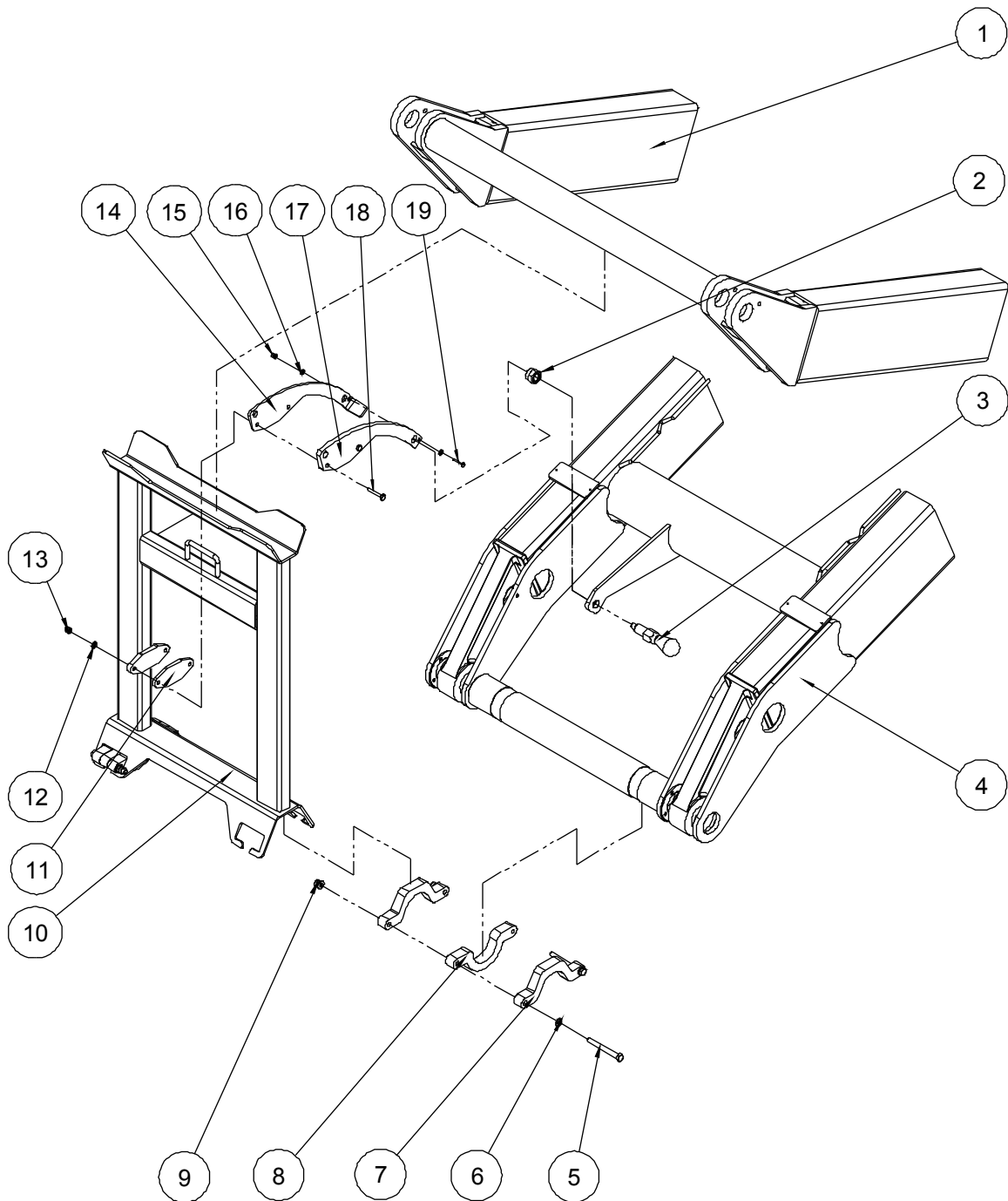
204.1 Scissor Arm Assembly 2-3 (SL1323-AWD)



204.1 Scissor Arm Assembly 2-3 (SL1323-AWD)

Item	Part No.	Description	Qty.
1	10004002	Outer arm III	1
2	10004005	Inner arm III	1
3	00000423	8813-455555 Bearing	4
4	00003841	896B-45×120.5 Pin	4
5	00002464	8902-12085 Pin	4
6	00000814	Washer GB/T 97.1 12	4
7	00000815	Washer GB/T 93 12	4
8	00001055	Bolt GB/T 5783 M12×40	4
9	10003107	Inner arm II	1
10	10003104	Outer arm II	1
11	00000087	899-60268 Pin	4
12	00000430	8813-607040 Bearing	16
13	10003252	Spacer sleeve	8
14	10003250	Washer	8
15	00000953	Circlips GB/T 894.1-60	8
16	00002137	Straight fitting	2
17	00001033	Nut GB/T 6182 M6	1
18	00000620	Washer GB/T 97.1 6	2
19	10005613	Clamp	1
20	00001042	Screw GB/T 70.1 M6×30	1
21		Safety arm assembly (refer to 205.1)	1
22		Cable routing device assembly (refer to 206.1)	1
23	10003249	Block	8
24	00000807	Screw GB/T 70.3 M4×16	16

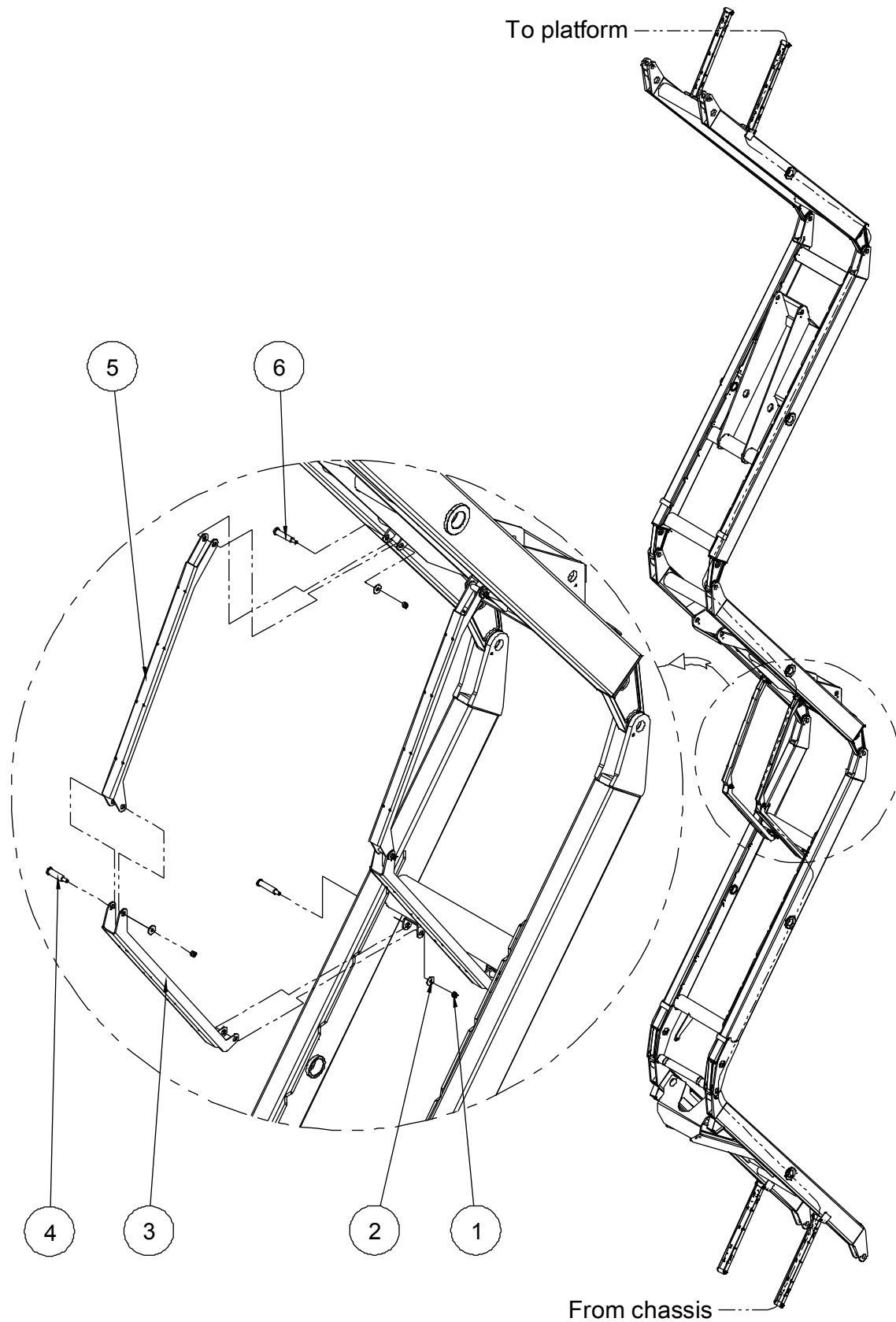
205.1 Safety Arm Assembly



205.1 Safety Arm Assembly

Item	Part No.	Description	Qty.
1	10003104	Outer arm II	1
2	00003604	Nut GB/T 889.2 M20×1.5	1
3	10003256	Lock pin assembly	1
-	10003257	Housing	1
-	10003258	Spring	1
-	10003259	Lock pin	1
-	10003260	knob	1
4	10003107	Inner arm II	1
5	00001040	Bolt GB/T 5782 M10×100	4
6	00000615	Washer GB/T 97.1 10	8
7	10003244	Wear pad	4
8	10003243	Wear pad	2
9	00000623	Nut GB/T 6182 M10	4
10	10003236	Safety arm weldment	1
11	10003490	Adjusting plate	1
12	00000608	Washer GB/T 97.1 8	4
13	00001163	Nut GB/T 6182 M8	2
14	10003246	Safety arm lock plate	1
15	00001033	Nut GB/T 6182 M6	1
16	00000620	Washer GB/T 97.1 6	2
17	10003247	Slide surface	1
18	00003607	Bolt GB/T 5783 M8×50	2
19	00002895	Bolt GB/T 5783 M6×35	1

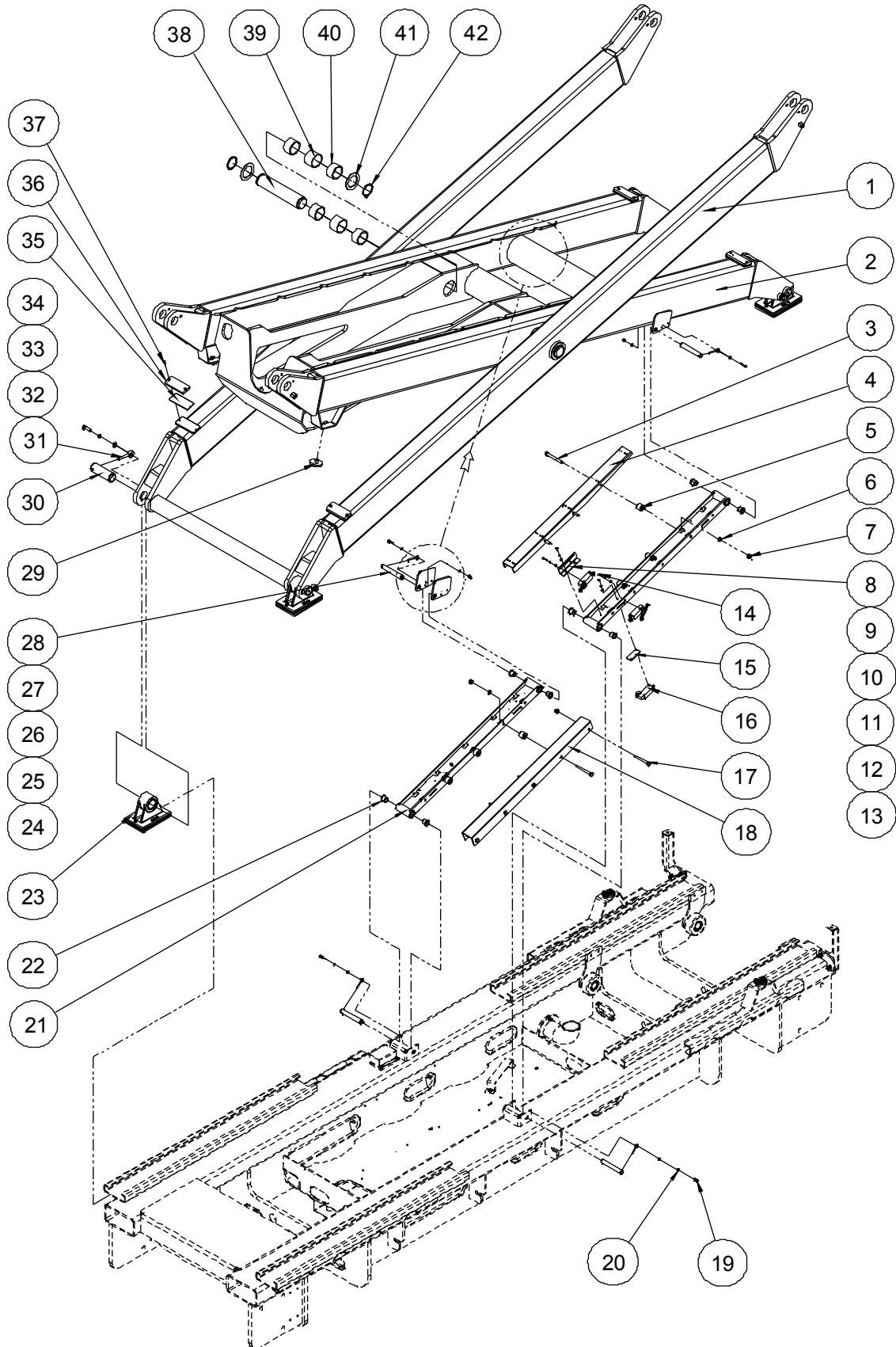
206.1 Cable Routing Device Assembly



206.1 Cable Routing Device Assembly

Item	Part No.	Description	Qty.
1	00001249	Nut GB/T 6182 M12	3
2	00002601	Washer GB/T 96.1 12	3
3	10003462	Cable bridge	1
4	10003464	Pin	1
5	10003461	Cable bridge	1
6	10003463	Pin	2

207.1 Scissor Arm Assembly 1



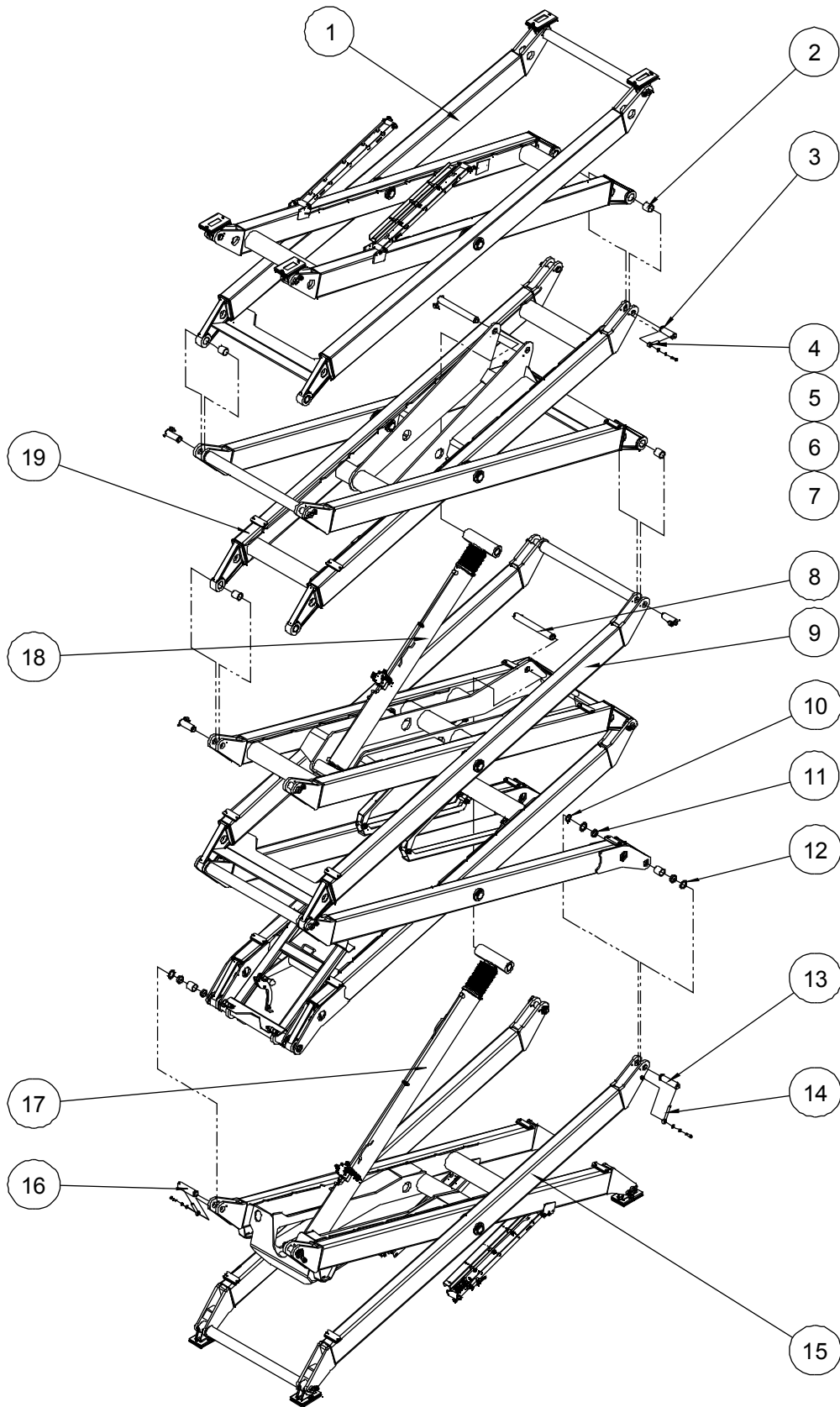
207.1 Scissor Arm Assembly 1

Item	Part No.	Description	Qty.
1	10003103	Outer arm I (SL1623-AWD)	1
	10004001	Outer arm I (SL1323-AWD)	1
2	10003106	Inner arm I (SL1623-AWD)	1
	10004003	Inner arm I (SL1323-AWD)	1
3	00001037	Bolt GB/T 5782 M10×110	6
4	10003253	Cable bridge	1
5	10003255	Spacer	6
6	00000615	Washer GB/T 97.1 10	6
7	00000623	Nut GB/T 6182 M10	8
8	10003261	Switch bracket	1
9	00000748	Limit switch	1
10	00001252	Screw GB/T 70.1 M5×12	3
11	00000817	Screw GB/T 70.1 M5×20	5
12	00000605	Washer GB/T 97.1 5 (SL1623-AWD)	10
	00000605	Washer GB/T 97.1 5 (SL1323-AWD)	8
13	00000606	Washer GB/T 93 5 (SL1623-AWD)	10
	00000606	Washer GB/T 93 5 (SL1323-AWD)	8
14	00001246	Screw GB/T 70.1 M5×16 (SL1623-AWD)	2
15	10003262	Switch bracket	2
16	00002354	Limit switch (SL1623-AWD)	3
	00002354	Limit switch (SL1323-AWD)	2
17	00001027	Bolt GB/T 5782 M10×80	2
18	10003254	Cable bridge	1
19	00000818	Bolt GB/T 5783 M6×16	2
20	00000621	Washer GB/T 93 6	2
21	10003113	Centering link weldment	2
22	00000251	8822-20215 Bearing	8
23	10003102	Slider assembly (refer to 203.1)	4
24	00000572	896-20128 Pin	4

207.1 Scissor Arm Assembly 1

Item	Part No.	Description	Qty.
25	00000218	8902-06065 Pin	4
26	00000775	Bolt GB/T 5783 M6×30	2
27	00000620	Washer GB/T 97.1 6	6
28	00001033	Nut GB/T 6182 M6	2
29	10003263	Block	2
30	00003841	896B-45×120.5 Pin	4
31	00002464	8902-12085 Pin	4
32	00001055	Bolt GB/T 5783 M12×40	4
33	00000814	Washer GB/T 97.1 12	4
34	00000815	Washer GB/T 93 12	4
35	10003491	Adjusting plate	/
36	10003249	Block	4
37	00000807	Screw GB/T 70.3 M4×16	8
38	00000087	899-60268 Pin	2
39	10003252	Spacer sleeve	4
40	00000430	8813-607040 Bearing	8
41	10003250	Washer	4
42	00000953	Circlips GB/T 894.1-60	4

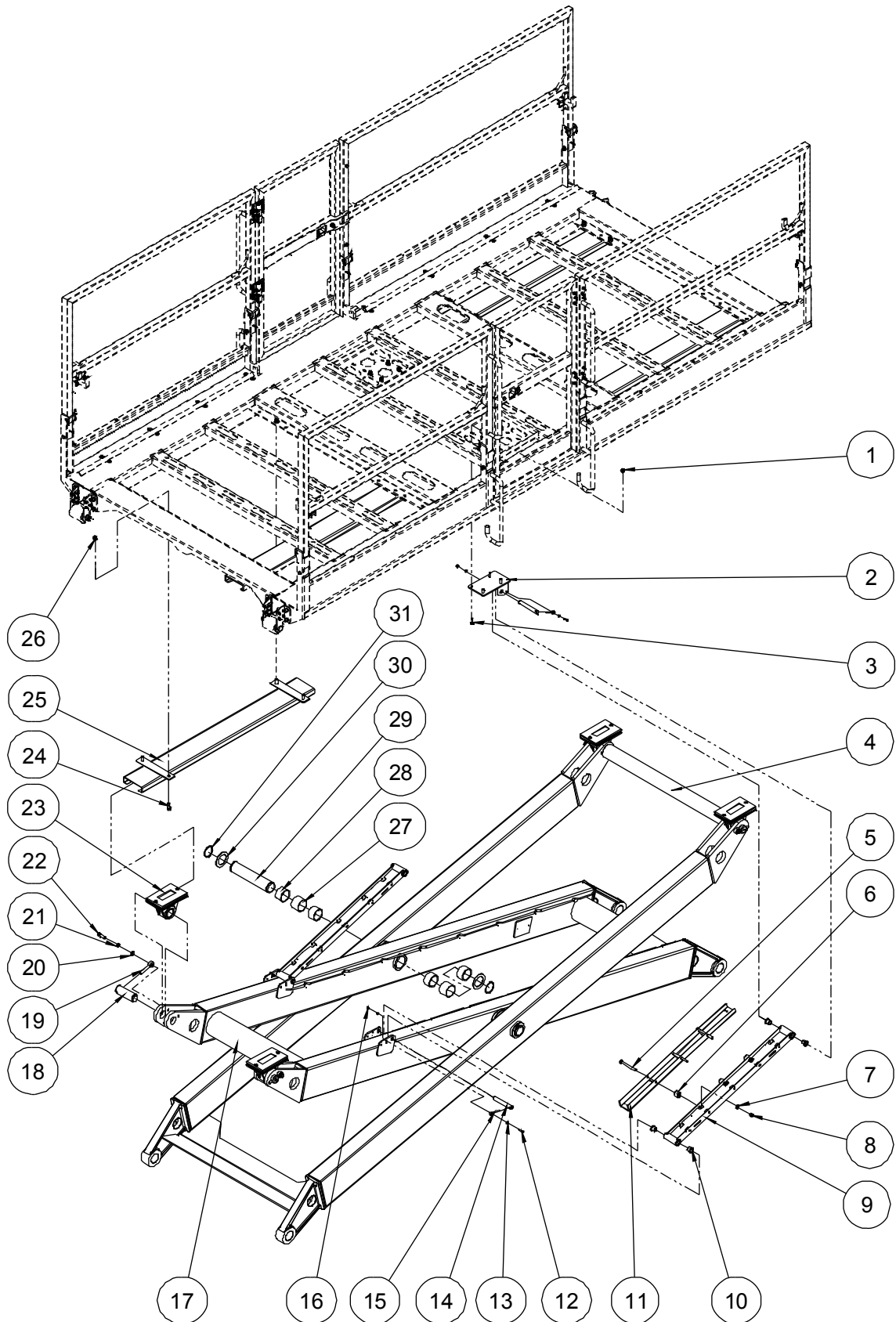
208.1 Scissor Assembly (SL1623-AWD)



208.1 Scissor Assembly (SL1623-AWD)

Item	Part No.	Description	Qty.
1		Scissor arm assembly 5 (SL1623-AWD) (refer to 209.1)	1
2	00000423	8813-455555 Bearing	12
3	00003841	896B-45×120.5 Pin	8
4	00002464	8902-12085 Pin	12
5	00000814	Washer GB/T 97.1 12	16
6	00000815	Washer GB/T 93 12	16
7	00001055	Bolt GB/T 5783 M12×40	16
8	00000578	896-45×373.5 Pin	4
9		Scissor arm assembly 2-3 (SL1623-AWD) (refer to 211.1)	1
10	00000790	Circlips JB/ZQ 4342-45	2
11	00000420	8813-455512 Bearing	8
12	10003251	Washer	6
13	10003478	Pin	2
14	00002465	8902-12120 Pin	4
15		Scissor arm assembly 1 (refer to 207.1)	1
16	00003842	896B-45×163.5 Pin	2
17		Lower lift cylinder assembly (without seal kit) (refer to 401.1)	1
18		Upper lift cylinder assembly (without seal kit) (refer to 402.1)	1
19		Scissor arm assembly 4 (SL1623-AWD) (refer to 210.1)	1

209.1 Scissor Arm Assembly 5 (SL1623-AWD)

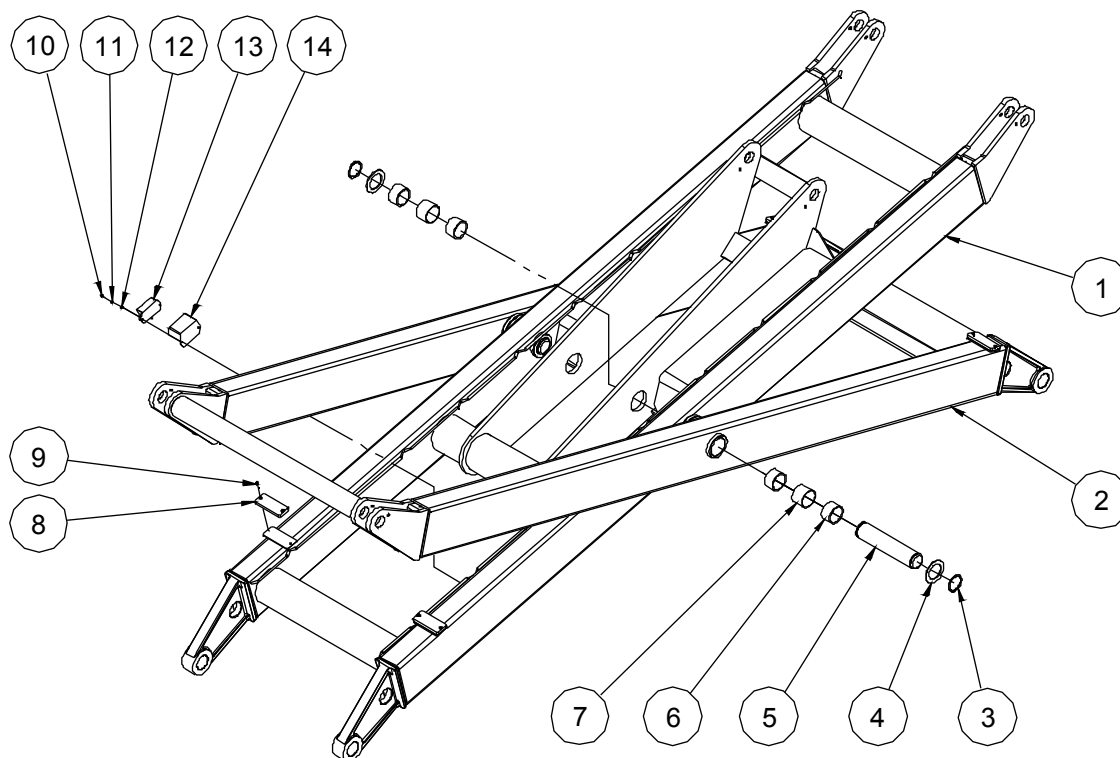


209.1 Scissor Arm Assembly 5 (SL1623-AWD)

Item	Part No.	Description	Qty.
1	00002572	Nut GB/T 6183.1 M10	8
2	10004313	Link anchor platform weldment	2
3	00000683	Bolt GB/T 5783 M10×30	8
4	10003108	Outer arm V	1
5	00001037	Bolt GB/T 5782 M10×110	3
6	10003255	Spacer	3
7	00000615	Washer GB/T 97.1 10	3
8	00000623	Nut GB/T 6182 M10	3
9	10003482	Centering link weldment	2
10	00000251	8822-20215 Bearing	8
11	10003253	Cable bridge	1
12	00000775	Bolt GB/T 5783 M6×30	4
13	00000620	Washer GB/T 97.1 6	4
14	00000572	896-20128 Pin	4
15	00000218	8902-06065 Pin	4
16	00001033	Nut GB/T 6182 M6	4
17	10003111	Inner arm V	1
18	00003841	896B-45×120.5 Pin	4
19	00002464	8902-12085 Pin	4
20	00000814	Washer GB/T 97.1 12	4
21	00000815	Washer GB/T 93 12	4
22	00001055	Bolt GB/T 5783 M12×40	4
23	10003102	Slider assembly (refer to 203.1)	4
24	00002059	Bolt GB/T 5783 M12×30	16
25	10004310	Slider channel	4
26	00002576	Nut GB/T 6183.1 M12	16
27	10003252	Spacer sleeve	4
28	00000430	8813-607040 Bearing	8
29	00000087	899-60268 Pin	2

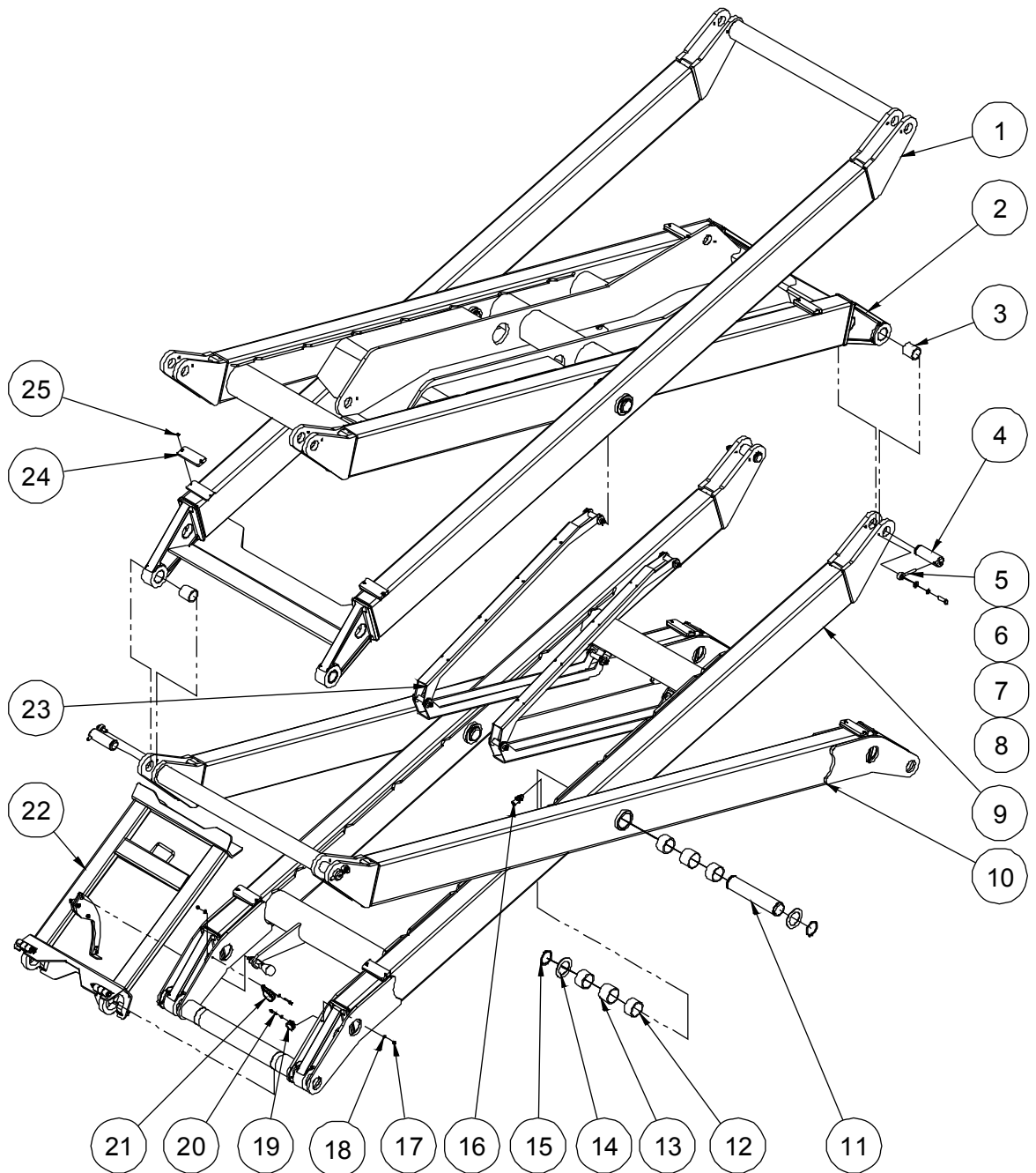
209.1 Scissor Arm Assembly 5 (SL1623-AWD)

Item	Part No.	Description	Qty.
30	10003250	Washer	4
31	00000953	Circlips GB/T 894.1-60	4

210.1 Scissor Arm Assembly 4 (SL1623-AWD)**210.1 Scissor Arm Assembly 4 (SL1623-AWD)**

Item	Part No.	Description	Qty.
1	10003110	Inner arm IV	1
2	10003112	Outer arm IV	1
3	00000953	Circlips GB/T 894.1-60	4
4	10003250	Washer	4
5	00000087	899-60268 Pin	2
6	00000430	8813-607040 Bearing	8
7	10003252	Spacer sleeve	4
8	10003249	Block	4
9	00000807	Screw GB/T 70.3 M4×16	8
10	00001054	Screw GB/T 70.1 M4×12	2
11	00000779	Washer GB/T 93 4	2
12	00000778	Washer GB/T 97.1 4	2
13	00000695	Angle sensor	1
14	10000251	Sensor cover	1

211.1 Scissor Arm Assembly 2-3 (SL1623-AWD)

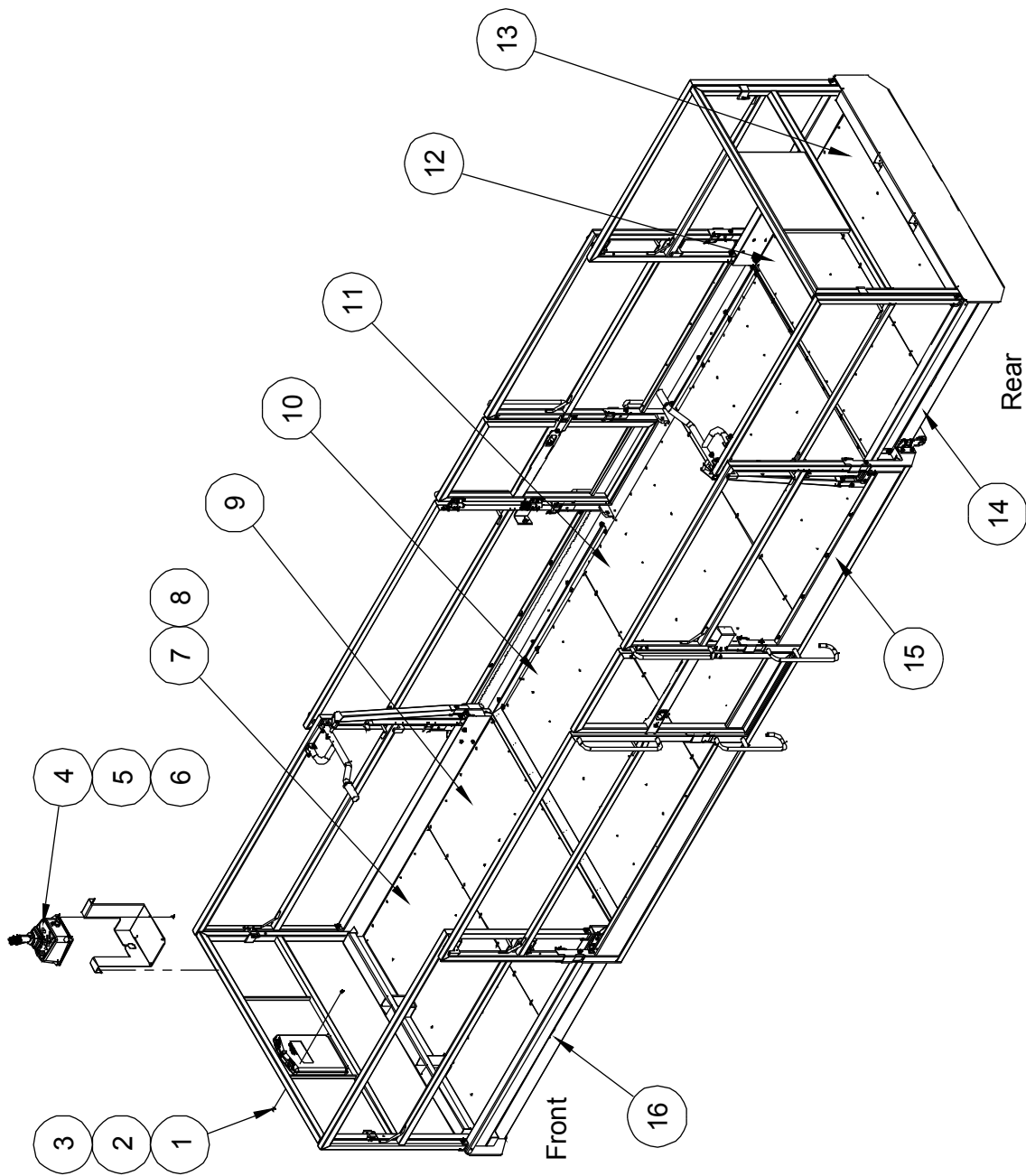


211.1 Scissor Arm Assembly 2-3 (SL1623-AWD)

Item	Part No.	Description	Qty.
1	10003105	Outer arm III	1
2	10003109	Inner arm III	1
3	00000423	8813-455555 Bearing	4
4	00003841	896B-45×120.5 Pin	4
5	00002464	8902-12085 Pin	4
6	00000814	Washer GB/T 97.1 12	4
7	00000815	Washer GB/T 93 12	4
8	00001055	Bolt GB/T 5783 M12×40	4
9	10003107	Inner arm II	1
10	10003104	Outer arm II	1
11	00000087	899-60268 Pin	4
12	00000430	8813-607040 Bearing	16
13	10003252	Spacer sleeve	8
14	10003250	Washer	8
15	00000953	Circlips GB/T 894.1-60	8
16	00002137	Straight fitting	2
17	00001033	Nut GB/T 6182 M6	2
18	00000620	Washer GB/T 97.1 6	4
19	10005613	Clamp	1
20	00001042	Screw GB/T 70.1 M6×30	2
21	10005186	Clamp	1
22		Safety arm assembly (refer to 205.1)	1
23		Cable routing device assembly (refer to 206.1)	2
24	10003249	Block	8
25	00000807	Screw GB/T 70.3 M4×16	16

Section 3 Platform

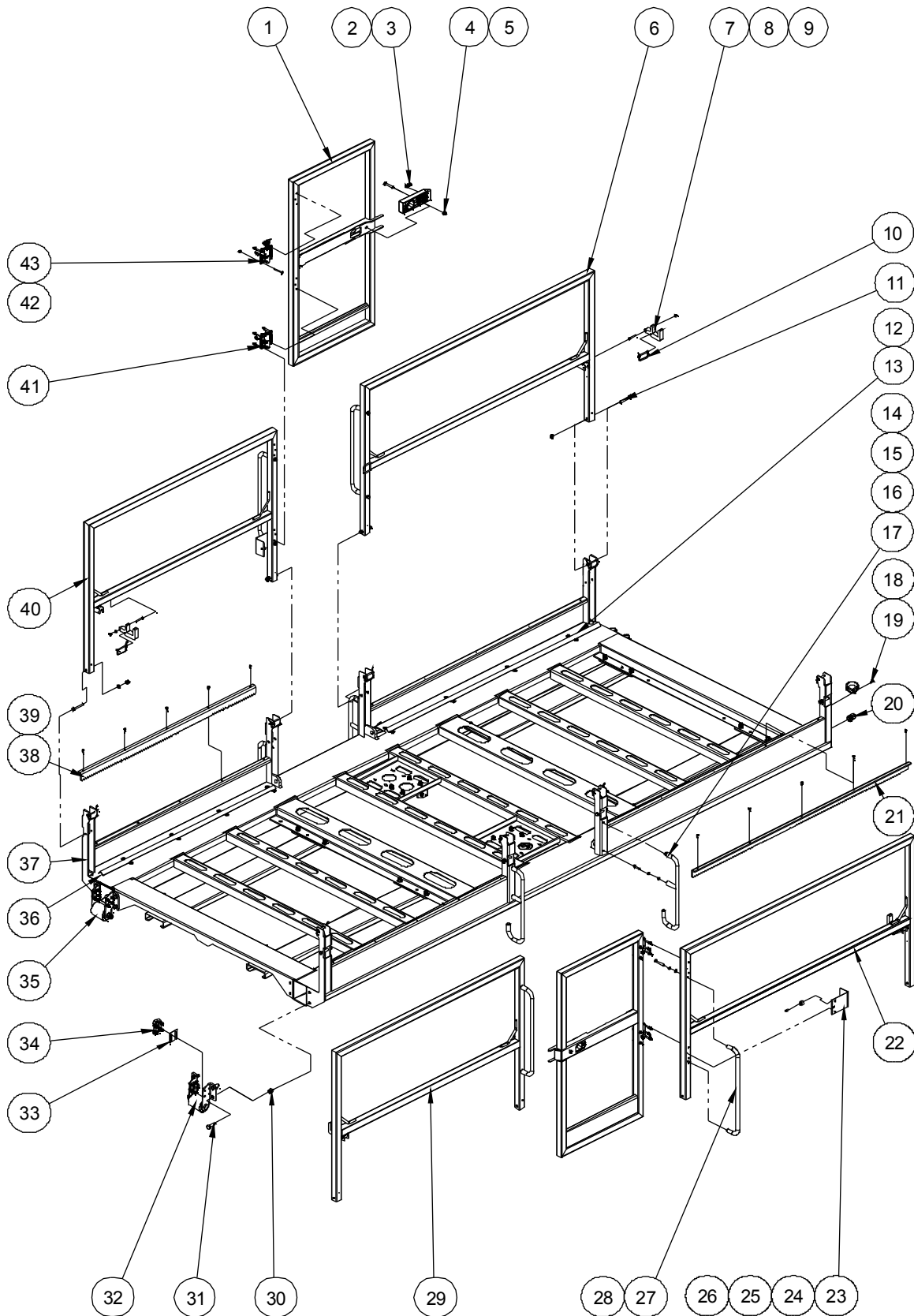
301.1 Platform Assembly



301.1 Platform Assembly

Item	Part No.	Description	Qty.
1	00002523	Screw GB/T 973 M5×16	4
2	50000555	Manual box	1
3	00002573	Nut GB/T 6183.1 M5	4
4	00004354	Platform control box assembly (refer to 308.1)	1
5	10004318	Platform control box mount bracket	1
6	00001986	Screw GB/T 818 M6×16 - H	4
7	10004189	Platform extension deck plate 2 (Front)	1
8	00001991	Rivet GB/T 12618.4 4.8×16	214
9	10004188	Platform extension deck plate 1 (Front)	1
10	10004132	Main platform deck plate 2	2
11	10004124	Main platform deck plate 1	1
12	10004199	Platform extension deck plate 1 (Rear)	1
13	10004104	Platform extension deck plate 2 (Rear)	1
14		Rear platform extension assembly (refer to 306.1)	1
15		Main platform assembly (refer to 302.1)	1
16		Front platform extension assembly (refer to 305.1)	1

302.1 Main Platform Assembly



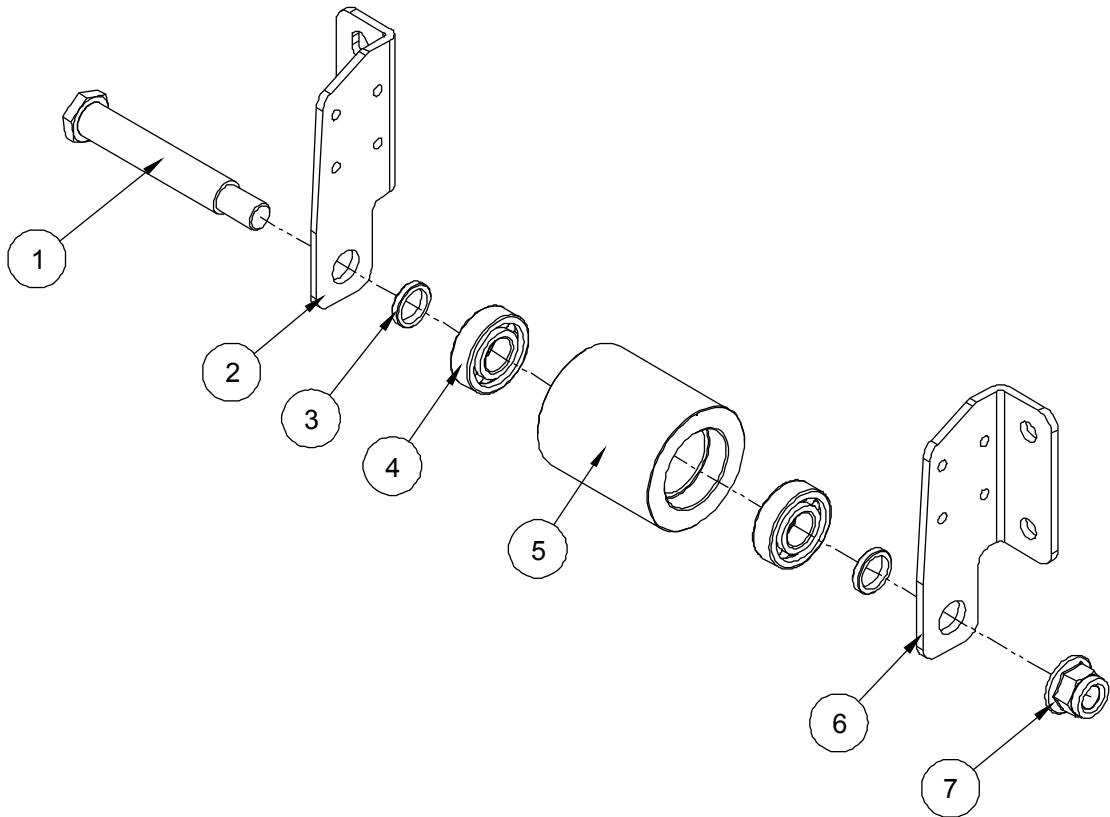
302.1 Main Platform Assembly

Item	Part No.	Description	Qty.
1	10004290	Entry gate	2
2	00002547	Bolt GB/T 16674 M10×55	2
3	10000367	Spring	2
4	10000331	Latch handle	2
5	00002572	Nut GB/T 6183.1 M10	10
6	10004221	Left main rail	1
7	50001717	Rail spacer	4
8	00002574	Nut GB/T 6183.1 M6	28
9	00002312	Bolt GB/T 5782 M6×45	4
10	10004174	Inserted pin	4
11	00003956	Bolt GB/T 16674 M10×70	8
12	00000828	Screw GB/T 70.3 M6×10	32
13	10004130	Roller track	2
14	10005035	Hand rail (SL1323-AWD)	4
	10004126	Hand rail (SL1623-AWD)	4
15	00002560	Screw GB/T 70.1 M8×30	8
16	00000608	Washer GB/T 97.1 8	16
17	00000609	Washer GB/T 93 8	16
18	00001231	Screw GB/T 818 M6×14 - H	1
19	10005186	Clamp	1
20	00001828	Water-proof joint M20	1
21	10004150	Extension deck lock tooth	1
22	10004227	Right main rail	1
23	10004316	Lock plate	2
24	10000376	Bumper	2
25	00002319	Screw GB/T 818 M5×10 - H	2
26	00002886	Bolt GB/T 16674 M6×60	6
27	10004190	Hand rail	4
28	00001985	Bolt GB/T 5782 M8×55	8

302.1 Main Platform Assembly

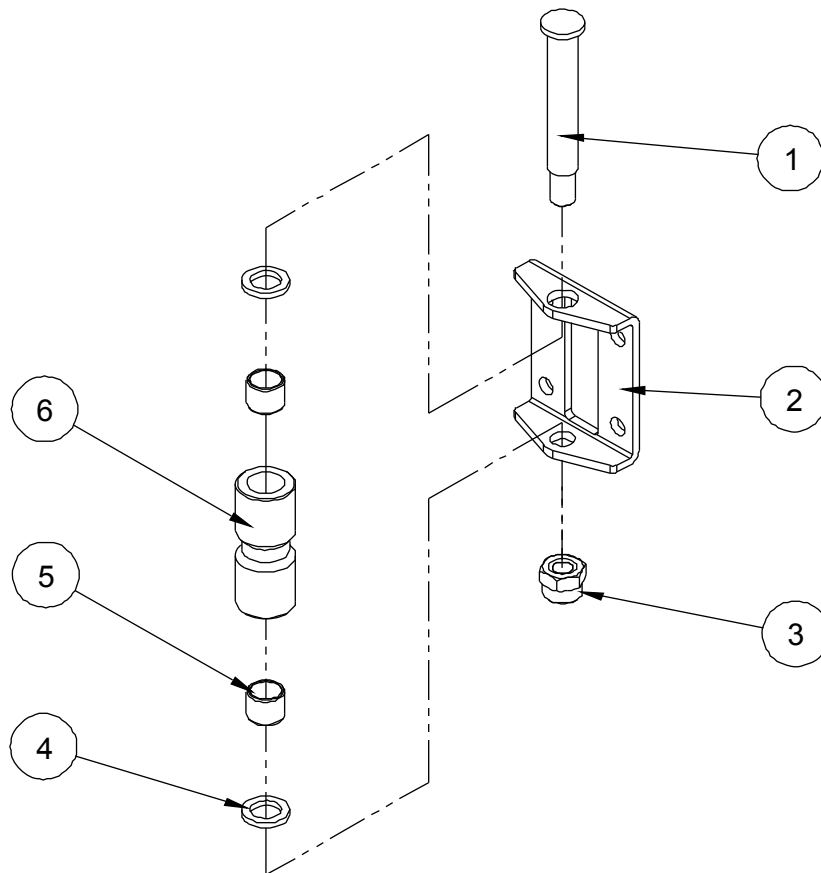
Item	Part No.	Description	Qty.
29	10004214	Right main rail	1
30	00002576	Nut GB/T 6183.1 M12	16
31	00002046	Bolt GB/T 5783 M12×35	16
32		Support roller assembly (refer to 303.1)	2
33	10004111	Adjusting plate	4
34		Side roller assembly (refer to 304.1)	8
35		Support roller assembly (refer to 303.1)	2
36	10004133	Roller track	2
37	10005503	Main deck weldment	1
38	10004125	Extension deck lock tooth	1
39	00002865	Bolt QC/T 340 M6×14	10
40	10004208	Left main rail	1
41	10000302	Hinge B	2
42	10000299	Hinge A	2
43	00002569	Bolt GB/T 16674 M6×55	18

303.1 Support Roller Assembly



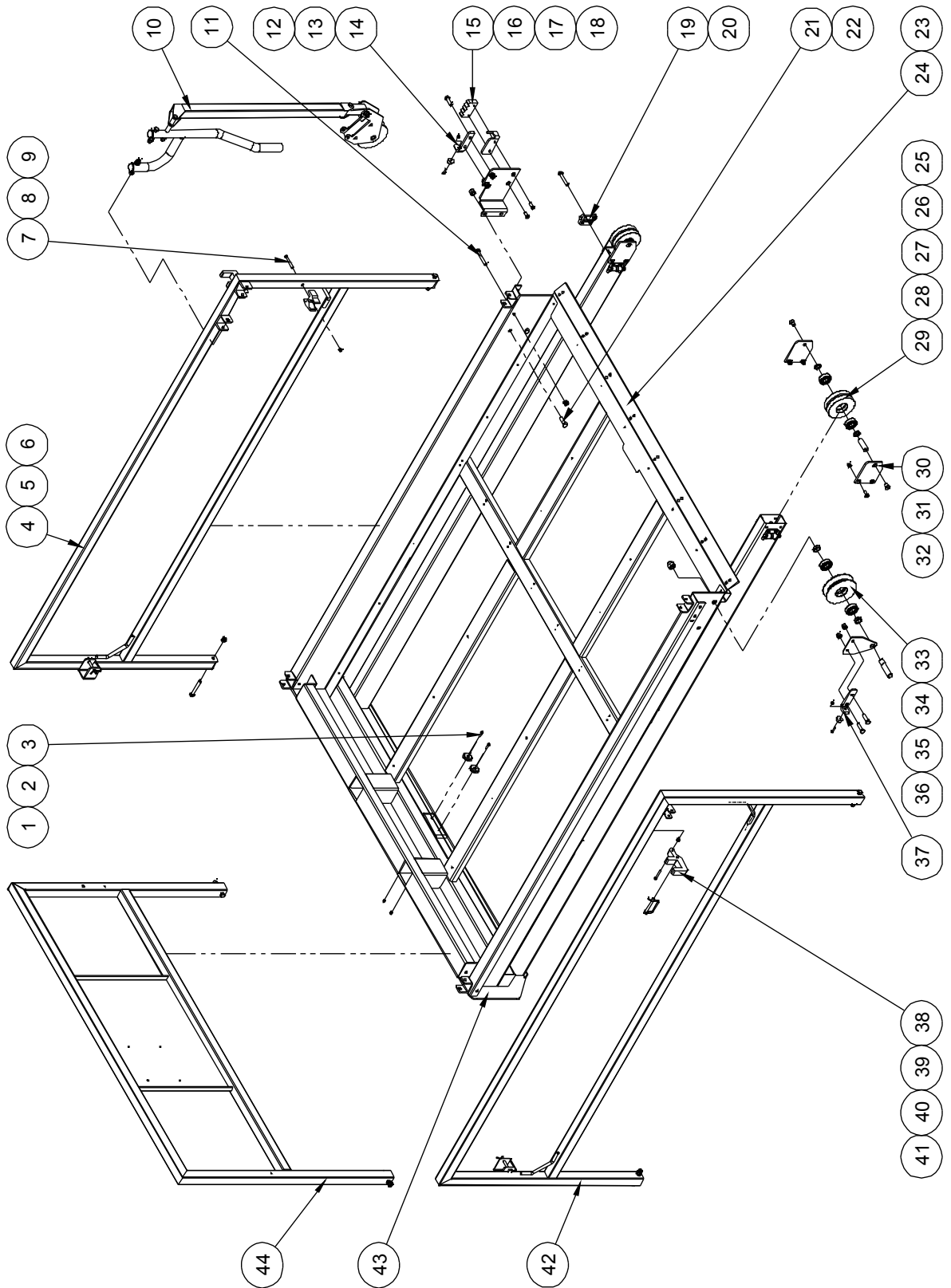
303.1 Support Roller Assembly

Item	Part No.	Description	Qty.
1	10004140	Pin	1
2	10004149	Roller bracket 2	1
3	10004141	Shim	2
4	00001295	Bearing GB/T 276-1994 - 6204	2
5	10004142	Roller	1
6	10004148	Roller bracket	1
7	00002578	Nut GB/T 6183.1 M16	1

304.1 Side Roller Assembly**304.1 Side Roller Assembly**

Item	Part No.	Description	Qty.
1	10004145	Pin	1
2	10004144	Roller bracket	1
3	00002575	Nut GB/T 6183.1 M8	1
4	10004147	Washer 10	2
5	00000340	8812-101210 Bearing	2
6	10004146	Roller	1

305.1 Front Platform Extension Assembly



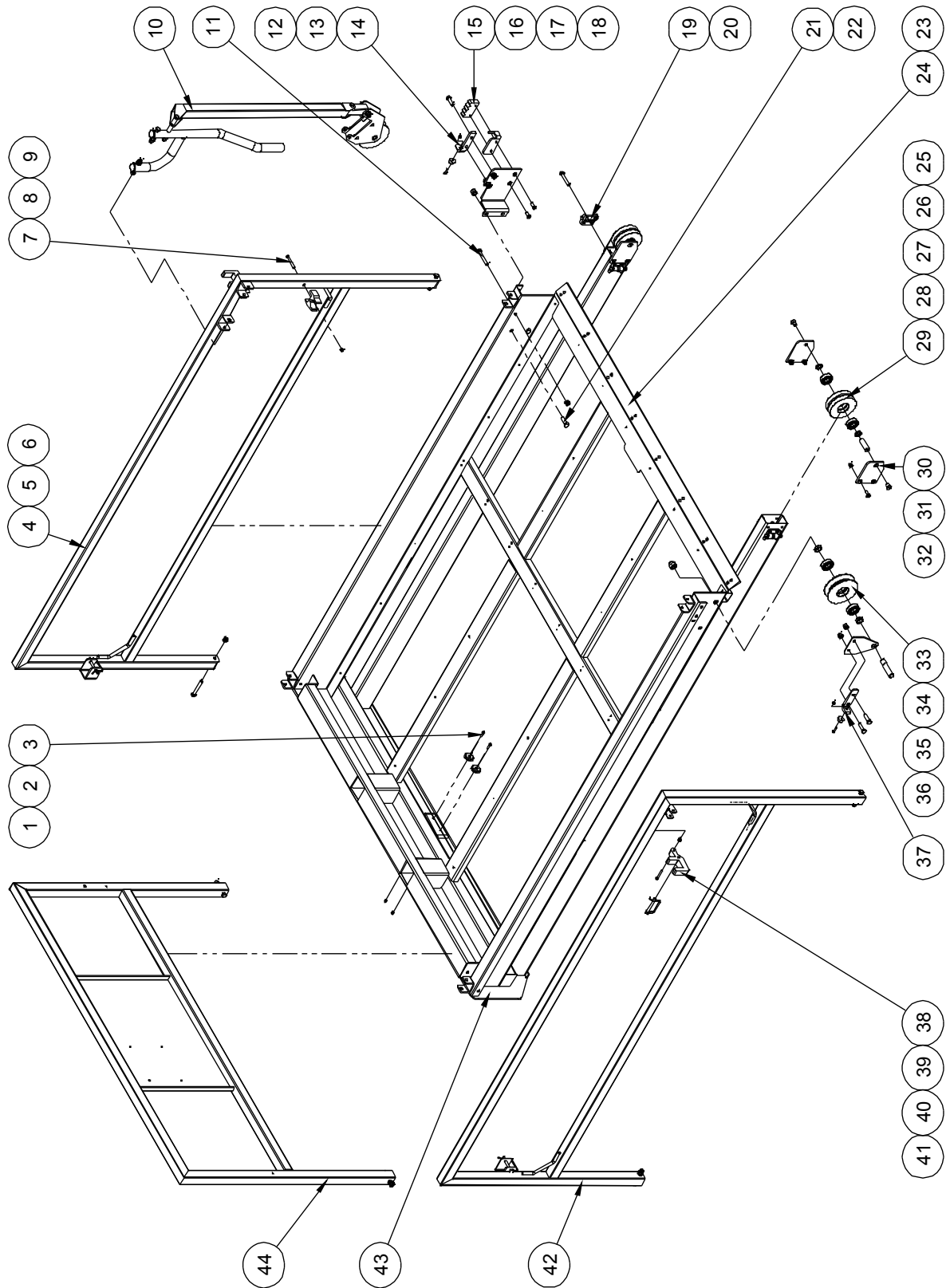
305.1 Front Platform Extension Assembly

Item	Part No.	Description	Qty.
1	00002573	Nut GB/T 6183.1 M5	4
2	10004200	Bumper	2
3	00001173	Screw GB/T 70.2 M5×20	4
4	10004233	Right extension rail	1
5	00003956	Bolt GB/T 16674 M10×70	6
6	00002572	Nut GB/T 6183.1 M10	13
7	00001066	Bolt GB/T 5782 M6×55	1
8	10004170	Catch clip	1
9	00001033	Nut GB/T 6182 M6	1
10	10004298	Platform locking device assembly (refer to 307.1)	1
11	00002512	Bolt GB/T 5782 M10×70	1
12	10000376	Bumper	2
13	00000684	Bolt GB/T 5783 M10×35	4
14	10004108	Locating plate 1	1
15	10004206	Lock tooth	1
16	10004205	Lock tooth seat	1
17	10004201	Lock seat	1
18	00000838	Screw GB/T 70.3 M8×25	2
19		Side roller assembly (refer to 304.1)	4
20	00002599	Bolt GB/T 5782 M6×65	8
21	00002059	Bolt GB/T 5783 M12×30	2
22	00002576	Nut GB/T 6183.1 M12	2
23	00001991	Rivet GB/T 12618.4 4.8×16	16
24	10000136	Rubber plate	1
25	00000846	Screw GB/T 70.3 M10×25	4
26	10004178	Washer	4
27	00001295	Bearing GB/T 276-1994 - 6204	6
28	10004177	Roller	2
29	10004176	Roller bracket 1	2

305.1 Front Platform Extension Assembly

Item	Part No.	Description	Qty.
30	10004175	Roller bracket 2	2
31	10004179	Pin	2
32	00002575	Nut GB/T 6183.1 M8	8
33	10004202	Roller	1
34	10004207	Washer	2
35	10004203	Roller bracket	1
36	10004204	Pin	1
37	10004180	Locating plate 2	1
38	50001717	Rail spacer	2
39	10004174	Inserted pin	2
40	00002312	Bolt GB/T 5782 M6×45	2
41	00002574	Nut GB/T 6183.1 M6	10
42	10004243	Left extension rail	1
43	10004182	Extension deck weldment	1
44	10004282	Front rail	1

306.1 Rear Platform Extension Assembly



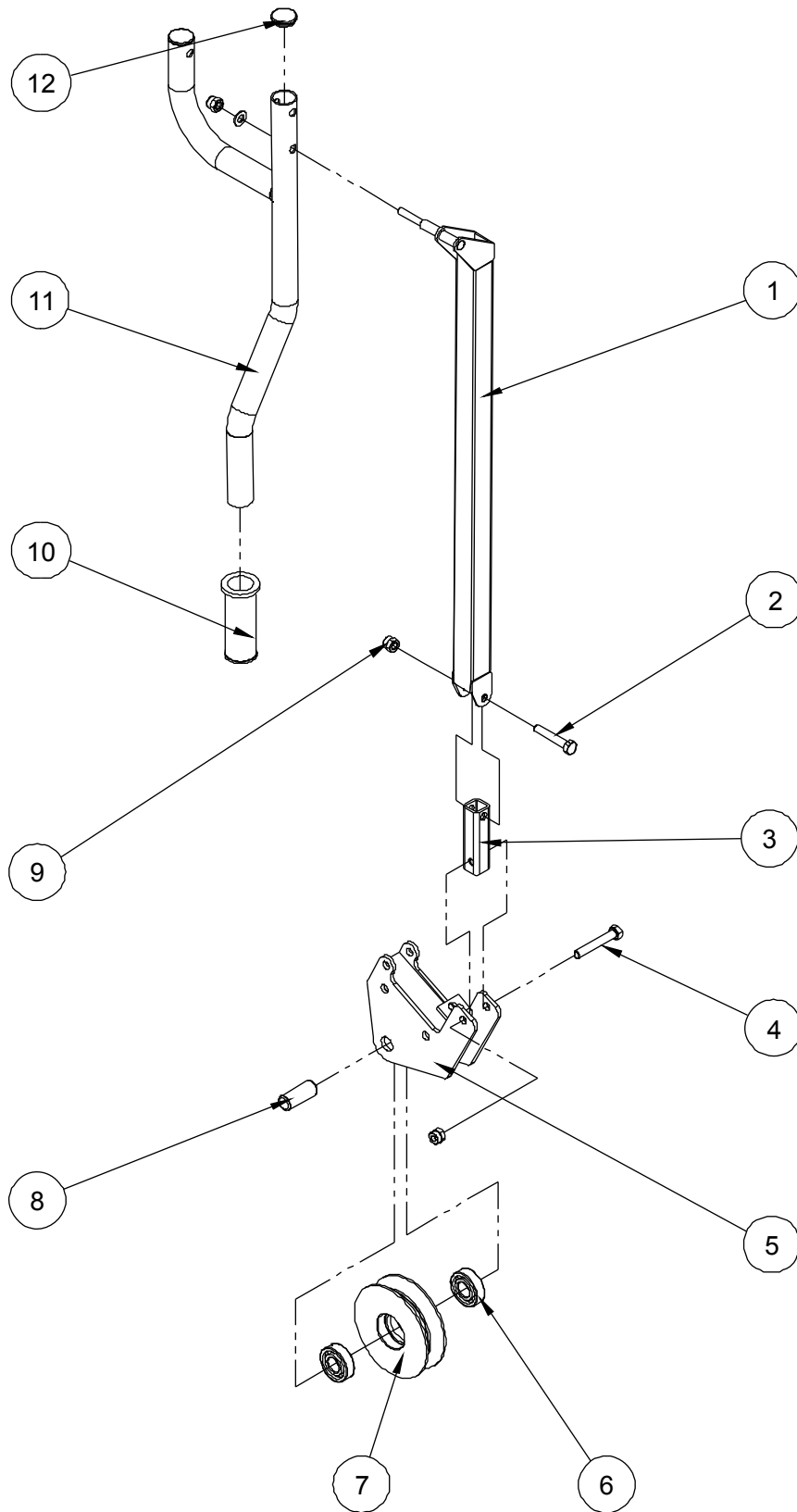
306.1 Rear Platform Extension Assembly

Item	Part No.	Description	Qty.
1	00002573	Nut GB/T 6183.1 M5	4
2	10004200	Bumper	2
3	00001173	Screw GB/T 70.2 M5×20	4
4	10004269	Right extension rail	1
5	00003956	Bolt GB/T 16674 M10×70	6
6	00002572	Nut GB/T 6183.1 M10	13
7	00001066	Bolt GB/T 5782 M6×55	1
8	10004170	Catch clip	1
9	00001033	Nut GB/T 6182 M6	1
10	10004298	Platform locking device assembly (refer to 307.1)	1
11	00002512	Bolt GB/T 5782 M10×70	1
12	10000376	Bumper	2
13	00000684	Bolt GB/T 5783 M10×35	4
14	10004108	Locating plate 1	1
15	10004206	Lock tooth	1
16	10004205	Lock tooth seat	1
17	10004201	Lock seat	1
18	00000838	Screw GB/T 70.3 M8×25	2
19		Side roller assembly (refer to 304.1)	4
20	00002599	Bolt GB/T 5782 M6×65	8
21	00002059	Bolt GB/T 5783 M12×30	2
22	00002576	Nut GB/T 6183.1 M12	2
23	00001991	Rivet GB/T 12618.4 4.8×16	16
24	10000136	Rubber plate	1
25	00000846	Screw GB/T 70.3 M10×25	4
26	10004178	Washer	4
27	00001295	Bearing GB/T 276-1994 - 6204	6
28	10004177	Roller	2
29	10004176	Roller bracket 1	2

306.1 Rear Platform Extension Assembly

Item	Part No.	Description	Qty.
30	10004175	Roller bracket 2	2
31	10004179	Pin	2
32	00002575	Nut GB/T 6183.1 M8	8
33	10004202	Roller	1
34	10004207	Washer	2
35	10004203	Roller bracket	1
36	10004204	Pin	1
37	10004180	Locating plate 2	1
38	50001717	Rail spacer	2
39	10004174	Inserted pin	2
40	00002312	Bolt GB/T 5782 M6×45	2
41	00002574	Nut GB/T 6183.1 M6	10
42	10004262	Left extension rail	1
43	10004192	Extension deck weldment	1
44	10004282	Front rail	1

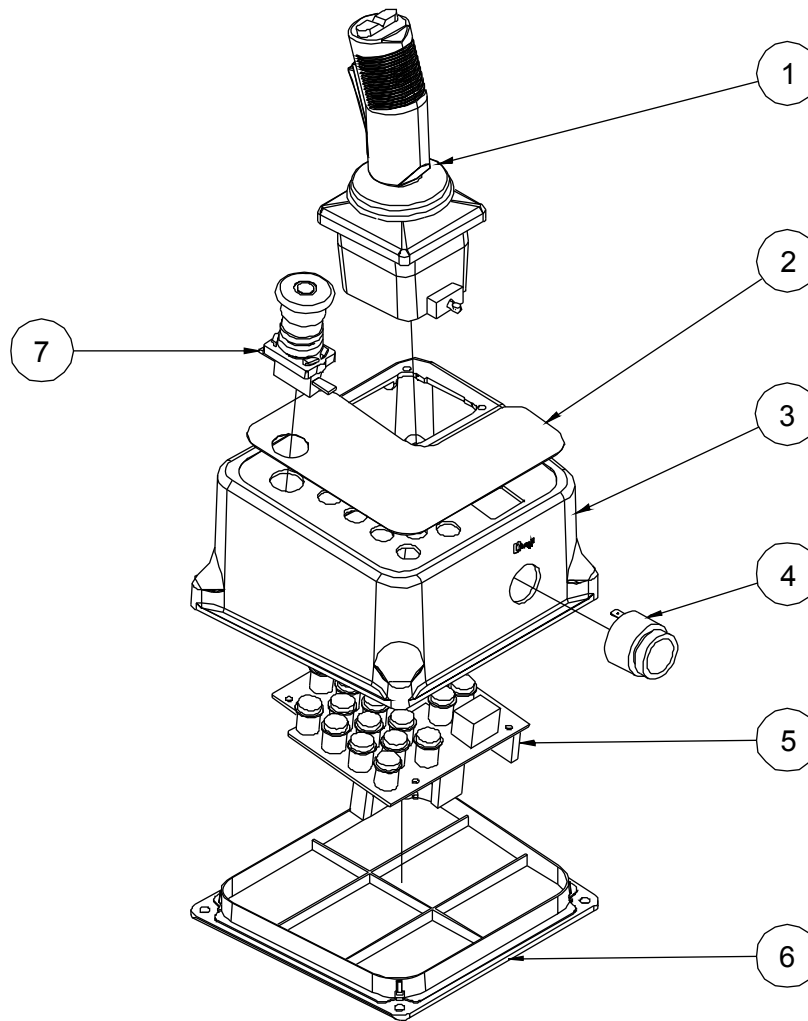
307.1 Platform Locking Device Assembly



307.1 Platform Locking Device Assembly

Item	Part No.	Description	Qty.
1	10004299	Tie rod weldment	1
2	00001984	Bolt GB/T 5782 M10×60	1
3	10004308	Connection rod	1
4	00002512	Bolt GB/T 5782 M10×70	4
5	10004137	Roller bracket	1
6	00001295	Bearing GB/T 276-1994 - 6204	2
7	10004202	Roller	1
8	00000413	893-20050 Pin	1
9	00002572	Nut GB/T 6183.1 M10	2
10	10004306	Handle bushing	1
11	10004304	Handle	1
12	10004309	Cover	2

308.1 Platform Control Box Assembly

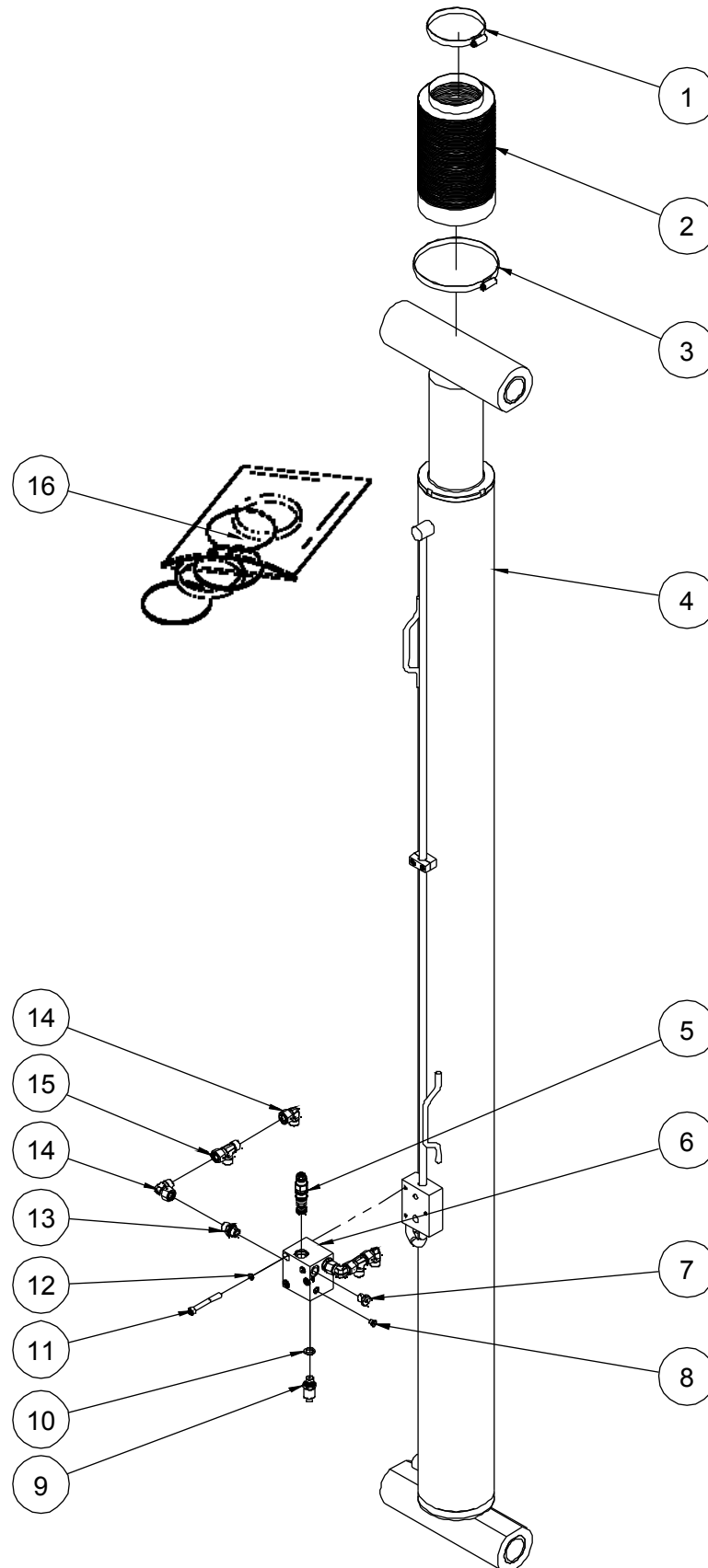


308.1 Platform Control Box Assembly

Item	Part No.	Description	Qty.
1	00004358	Joystick	1
2	09140017	Decal, Platform control panel	1
3	00004356	Enclosure	1
4	00000712	Alarm	1
5	00004357	Main board	1
6	00004355	Cover bottom	1
7	00000713	Emergency stop switch	1

Section 4 Hydraulic System

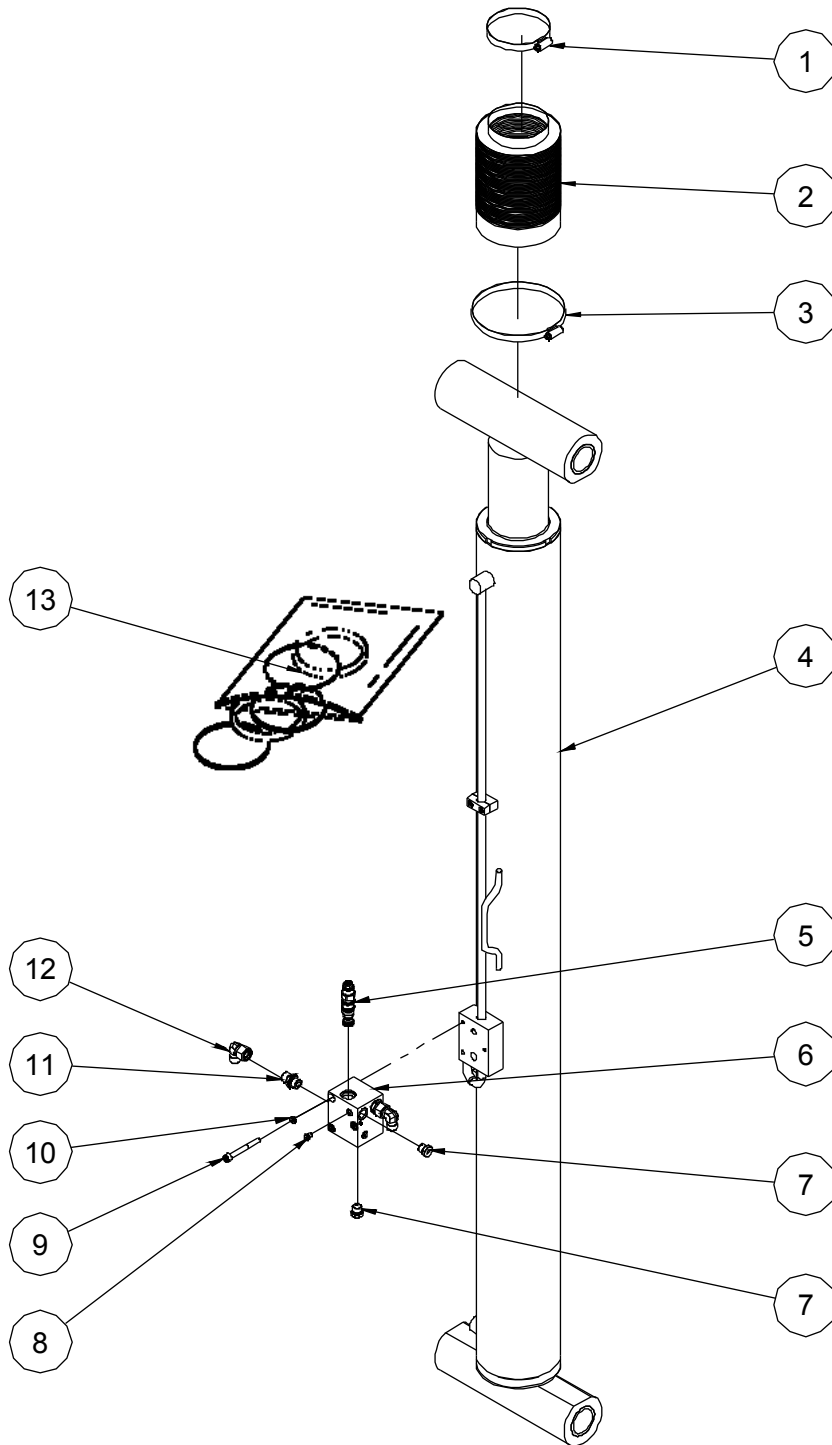
401.1 Lower Lift Cylinder Assembly



401.1 Lower Lift Cylinder Assembly

Item	Part No.	Description	Qty.
1	00003487	Clamp	1
2	10003560	Dustproof sleeve	1
3	00003498	Clamp	1
4	10003365	Lower lift cylinder	1
5	00003357	Counterbalance valve spool	1
6	00003314	Valve body	1
7	00001073	Plug VST114×1.5ED	1
8	00002999	Plug SAE2	2
9	00002418	Pressure sensor	1
10	00002518	Washer JB/T 982 13	1
11	00003135	Screw GB/T 70.1 M8×70	3
12	00000609	Washer GB/T 93 8	3
13	00001294	Straight fitting	2
14	00001834	Elbow	4
15	00001239	Tee fitting	2
16	00000277	Seal kit	1

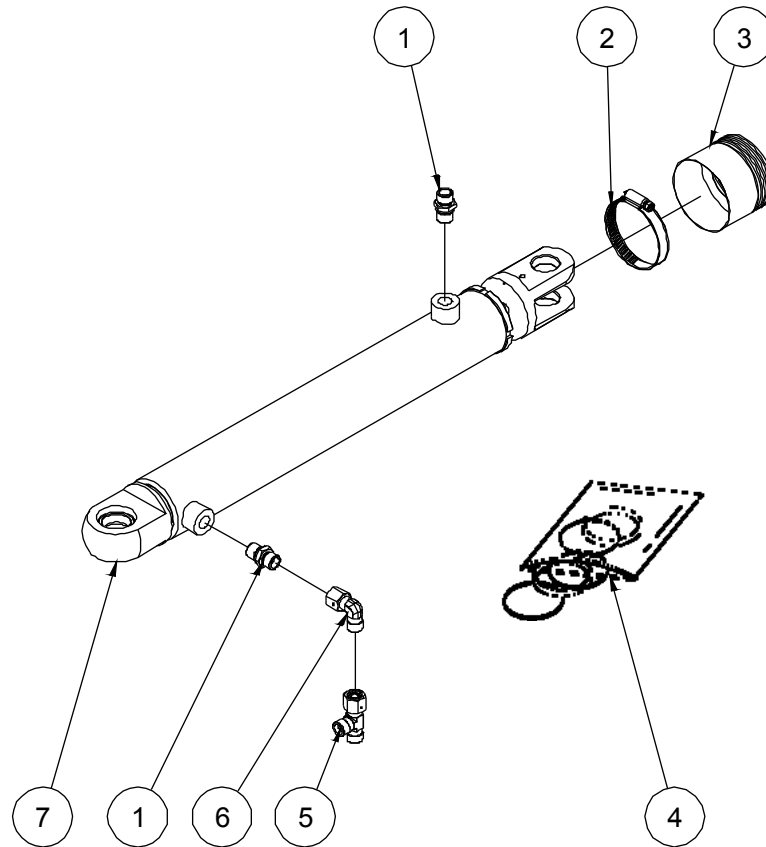
402.1 Upper Lift Cylinder Assembly (SL1623-AWD)



402.1 Upper Lift Cylinder Assembly (SL1623-AWD)

Item	Part No.	Description	Qty.
1	00003487	Clamp	1
2	10003573	Dustproof sleeve	1
3	00003498	Clamp	1
4	10003575	Upper lift cylinder	1
5	00003357	Counterbalance valve spool	1
6	00003314	Valve body	1
7	00001073	Plug VST114×1.5ED	2
8	00002999	Plug SAE2	2
9	00003135	Screw GB/T 70.1 M8×70	3
10	00000609	Washer GB/T 93 8	3
11	00001294	Straight fitting	2
12	00001834	Elbow	2
13	00000277	Seal kit	1

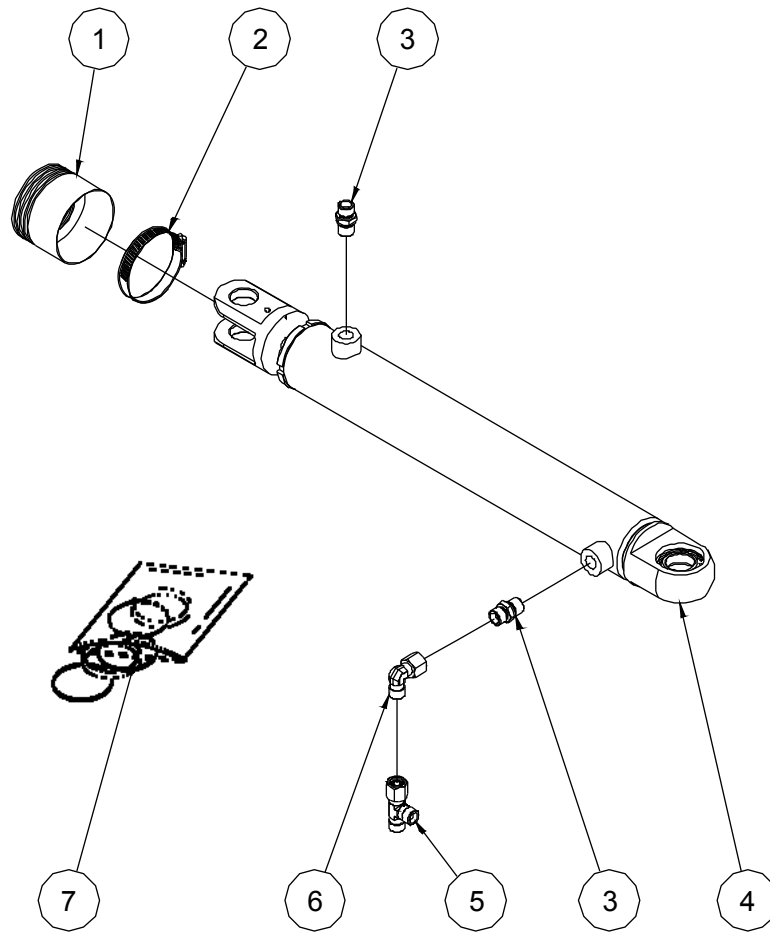
403.1 Left Steer Cylinder Assembly



403.1 Left Steer Cylinder Assembly

Item	Part No.	Description	Qty.
1	00001282	Straight fitting	2
2	00003623	Clamp	1
3	10005460	Dustproof sleeve	1
4	00000278	Seal kit	1
5	00001237	Tee fitting	1
6	00001832	Elbow	1
7	10003581	Left steer cylinder	1

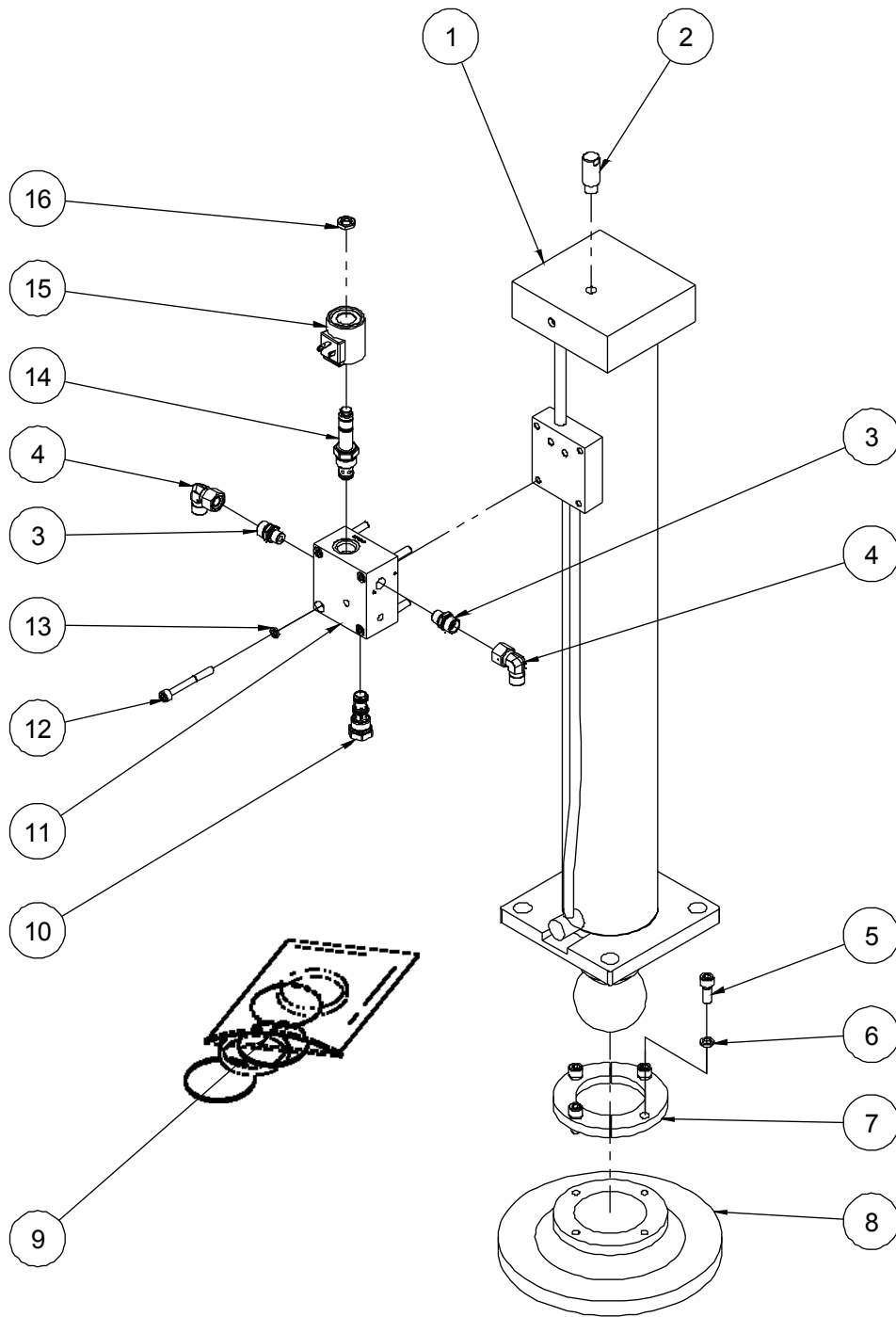
404.1 Right Steer Cylinder Assembly



404.1 Right Steer Cylinder Assembly

Item	Part No.	Description	Qty.
1	10005460	Dustproof sleeve	1
2	00003623	Clamp	1
3	00001282	Straight fitting	2
4	10003562	Right steer cylinder	1
5	00001237	Tee fitting	1
6	00001832	Elbow	1
7	00000278	Seal kit	1

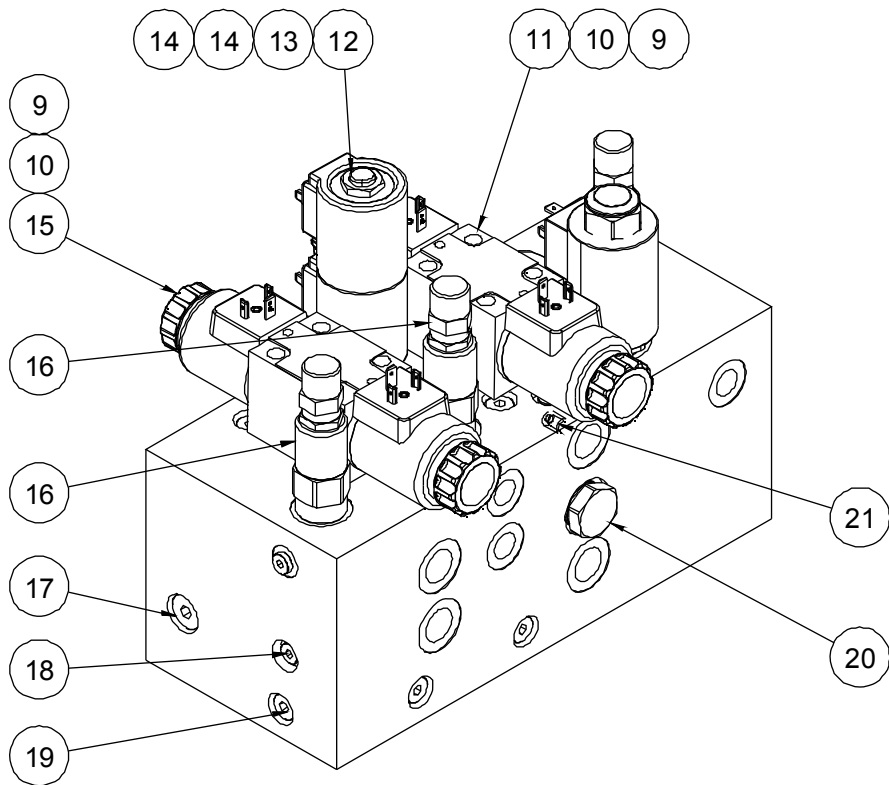
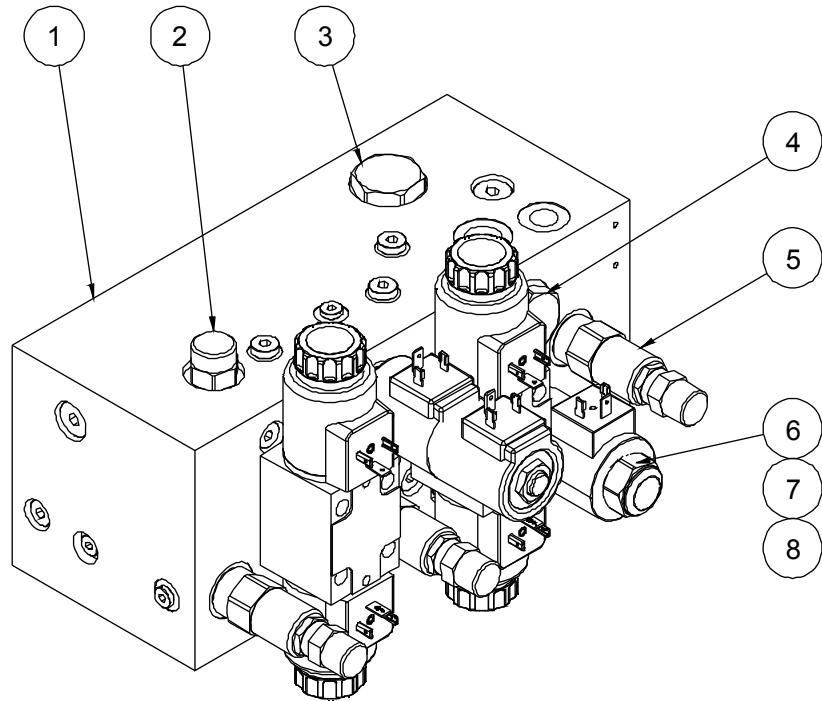
405.1 Outrigger Cylinder Assembly



405.1 Outrigger Cylinder Assembly

Item	Part No.	Description	Qty.
1	10005636	Outrigger cylinder	1
2	10000001	Pin	1
3	00001261	Straight fitting	2
4	00001834	Elbow	2
5	00002504	Screw GB/T 70.1 M10×25	4
6	00000679	Washer GB/T 93 10	4
7	10004004	Retainer	1
8	10003999	Outrigger footpad	1
9	00004067	Seal kit	1
10	00003281	Pilot-operated check valve	1
11	00003279	Valve body	1
12	00003135	Screw GB/T 70.1 M8×70	4
13	00000609	Washer GB/T 93 8	4
14	00003280	Solenoid valve spool	1
15	00003287	Coil	1
16	00003017	Nut	1

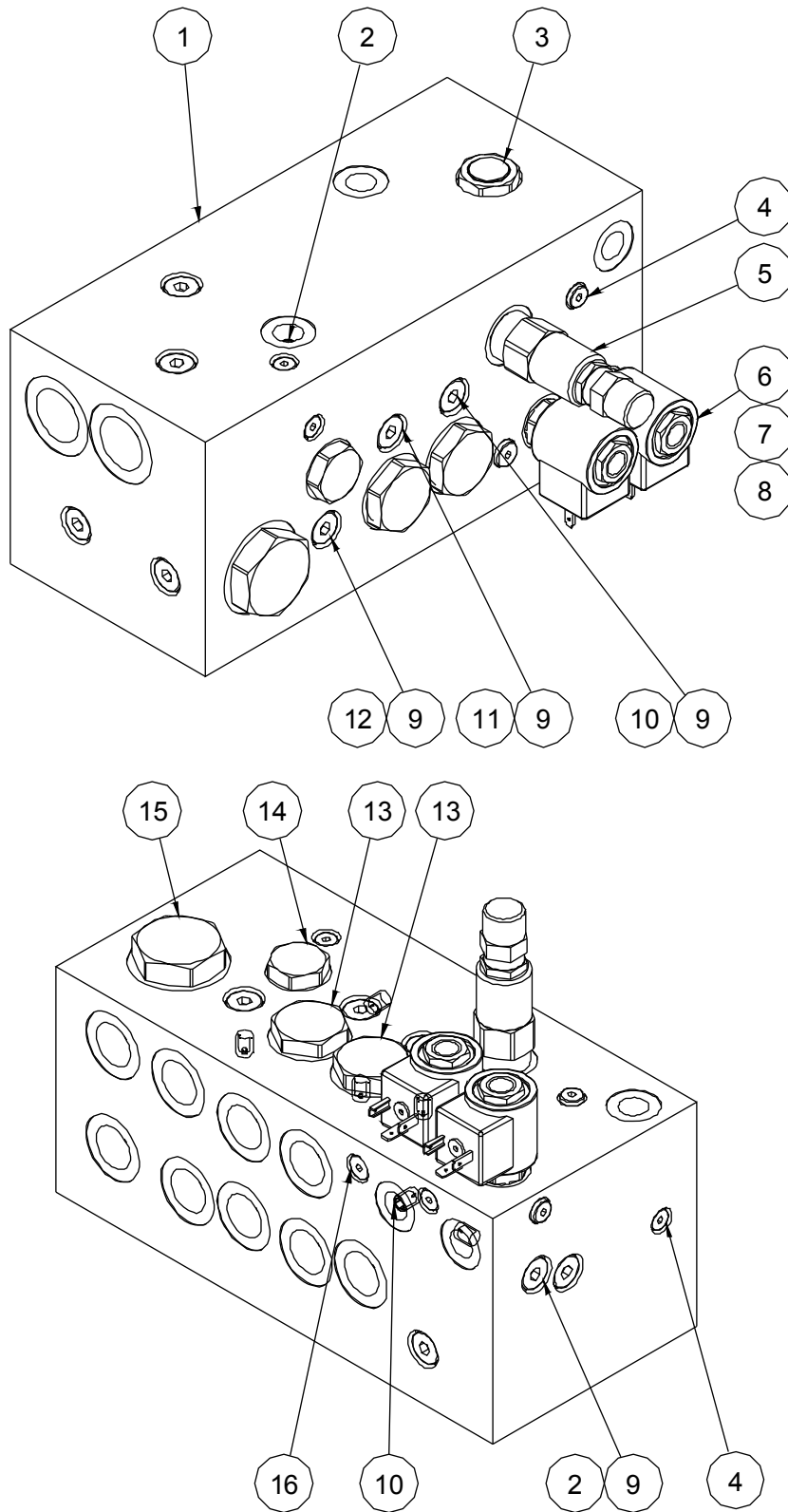
406.1 Function Manifold



406.1 Function Manifold

Item	Part No.	Description	Qty.
1	00003992	Valve body	1
2	00003999	Flow control valve (FR1)	1
3	00004017	Plug	1
4	00004016	Plug	1
5	00003994	Relief valve (RV1)	1
6	00003995	Proportional valve (PV1)	1
7	00004002	Coil	1
8	00004003	Nut	1
9	00000606	Washer GB/T 93 5	8
10	00002505	Screw GB/T 70.1 M5×50	8
11	00004000	Solenoid valve (SV1)	1
12	00003996	Solenoid valve spool (SV2)	1
13	00003017	Nut	1
14	00003287	Coil	2
15	00003364	Solenoid valve (SV3)	1
16	00003997	Relief valve (CR1, CR2)	2
17	00001073	Plug VST114×1.5ED	4
18	00004005	Plug VST18×1ED	5
19	00001071	Plug VST110×1ED	11
20	00003998	Check valve (CV1)	1
21	00004001	Orifice 3/8-16_Φ3.5	1

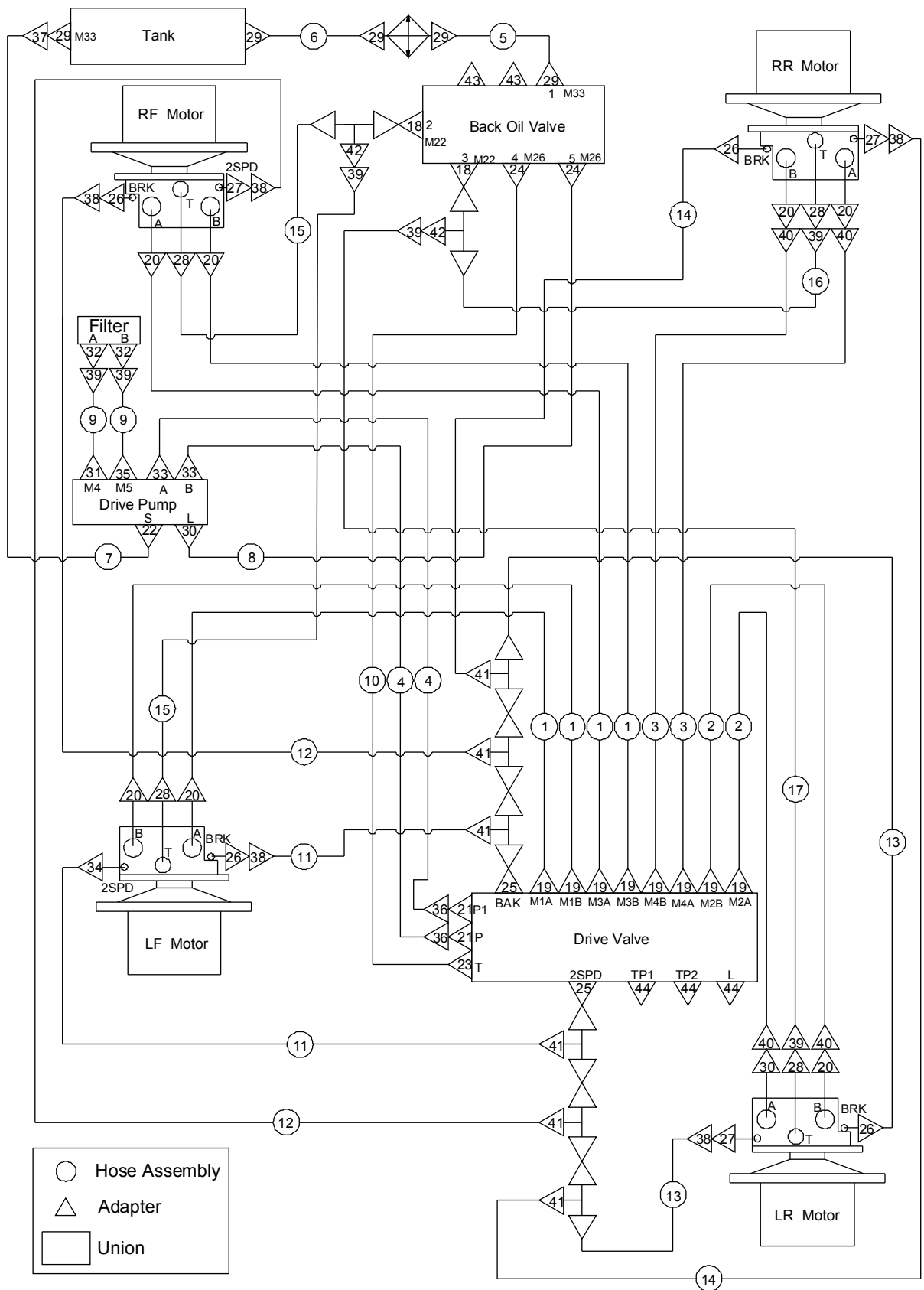
407.1 Drive Manifold



407.1 Drive Manifold

Item	Part No.	Description	Qty.
1	00003917	Valve body	1
2	00003578	Orifice $\Phi 0.8$	2
3	00003920	Shuttle valve (HS1)	1
4	00002999	Plug SAE2	6
5	00003922	Relief valve (RV1)	1
6	00002043	Coil	2
7	00003017	Nut	2
8	00003916	Solenoid valve spool (SV8, SV9)	2
9	00003361	Plug SAE6	11
10	00003000	Orifice $\Phi 1.0$	2
11	00004596	Orifice 3/8-16_ $\Phi 1.3$	1
12	00004600	Orifice 3/8-16_ $\Phi 2.3$	1
13	00003918	Flow divider/combiner valve (FD1, FD2)	2
14	00003921	Shuttle valve (LS1)	1
15	00003919	Flow divider/combiner valve (FD3)	1
16	00002997	Plug SAE3	3

408.1 Hydraulic Hoses and Fittings-Drive



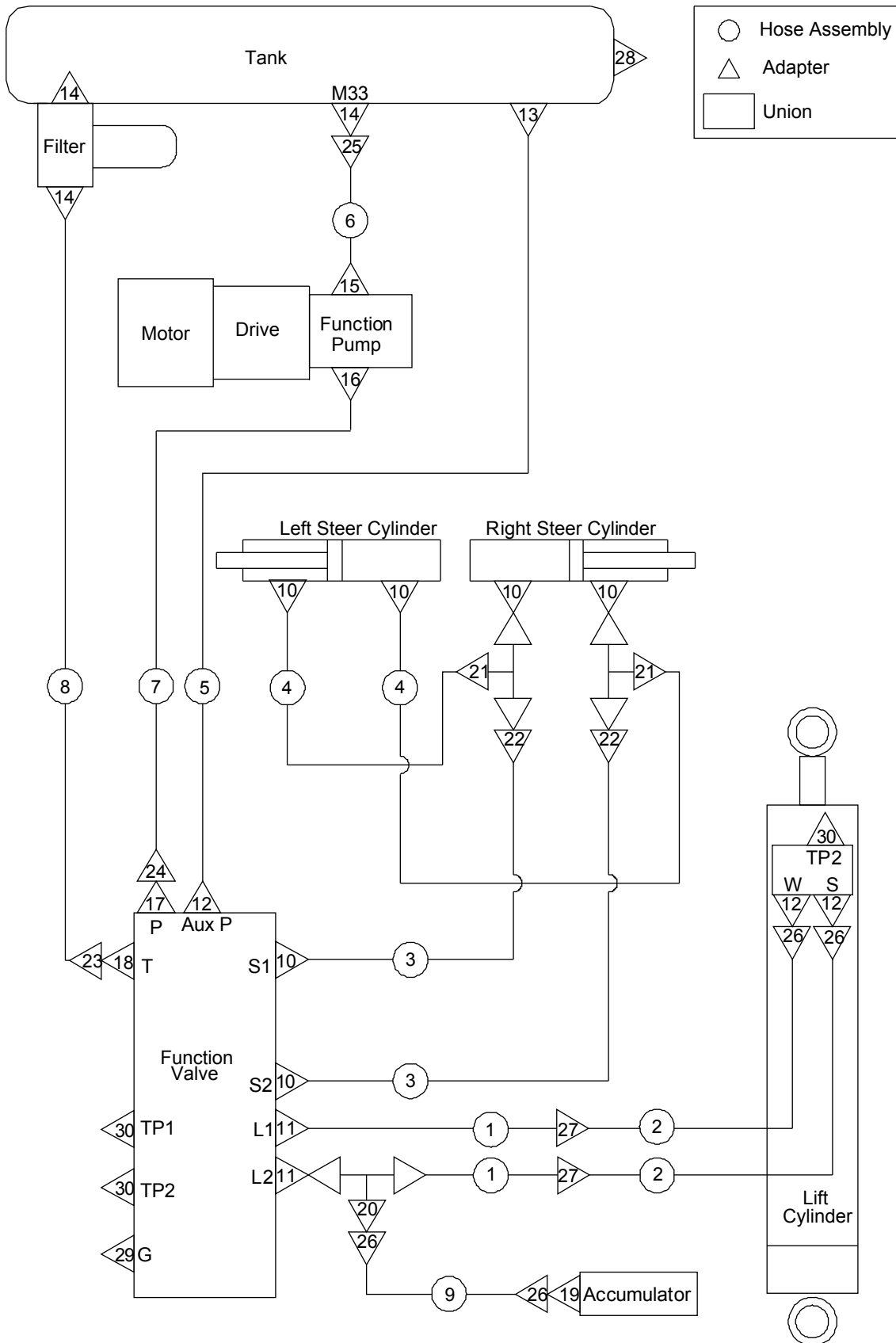
408.1 Hydraulic Hoses and Fittings-Drive

Item	Part No.	Description	Qty.
1	00004185	Hose assembly	4
2	00004186	Hose assembly	2
3	00004187	Hose assembly	2
4	00004188	Hose assembly	2
5	00004190	Hose assembly	1
6	00004189	Hose assembly	1
7	00004191	Hose assembly	1
8	00004192	Hose assembly	1
9	00004193	Hose assembly	2
10	00003704	Hose assembly	1
11	00004194	Hose assembly	2
12	00004195	Hose assembly	2
13	00004196	Hose assembly	2
14	00002197	Hose assembly	2
15	00004197	Hose assembly	2
16	00004198	Hose assembly	1
17	00004199	Hose assembly	1
18	00001266	Straight fitting	2
19	00001283	Straight fitting	8
20	00002073	Straight fitting	8
21	00001285	Straight fitting	2
22	00001783	Straight fitting	1
23	00001270	Straight fitting	1
24	00001269	Straight fitting	2
25	00001282	Straight fitting	2
26	00001769	Straight fitting	4
27	00002072	Straight fitting	3
28	00001775	Straight fitting	4
29	00002071	Straight fitting	6

408.1 Hydraulic Hoses and Fittings-Drive

Item	Part No.	Description	Qty.
30	00001780	Straight fitting	1
31	00001776	Straight fitting	1
32	00002069	Straight fitting	2
33	00001790	Straight fitting	2
34	00004023	Elbow	1
35	00003734	Straight fitting	1
36	00001842	Elbow	2
37	00001837	Elbow	1
38	00001832	Elbow	5
39	00001835	Elbow	6
40	00001841	Elbow	4
41	00001237	Tee fitting	6
42	00001240	Tee fitting	2
43	00001074	Plug VSTI16×1.5ED	2
44	00001073	Plug VSTI14×1.5ED	3

409.1 Hydraulic Hoses and Fittings-Function (SL1323-AWD)



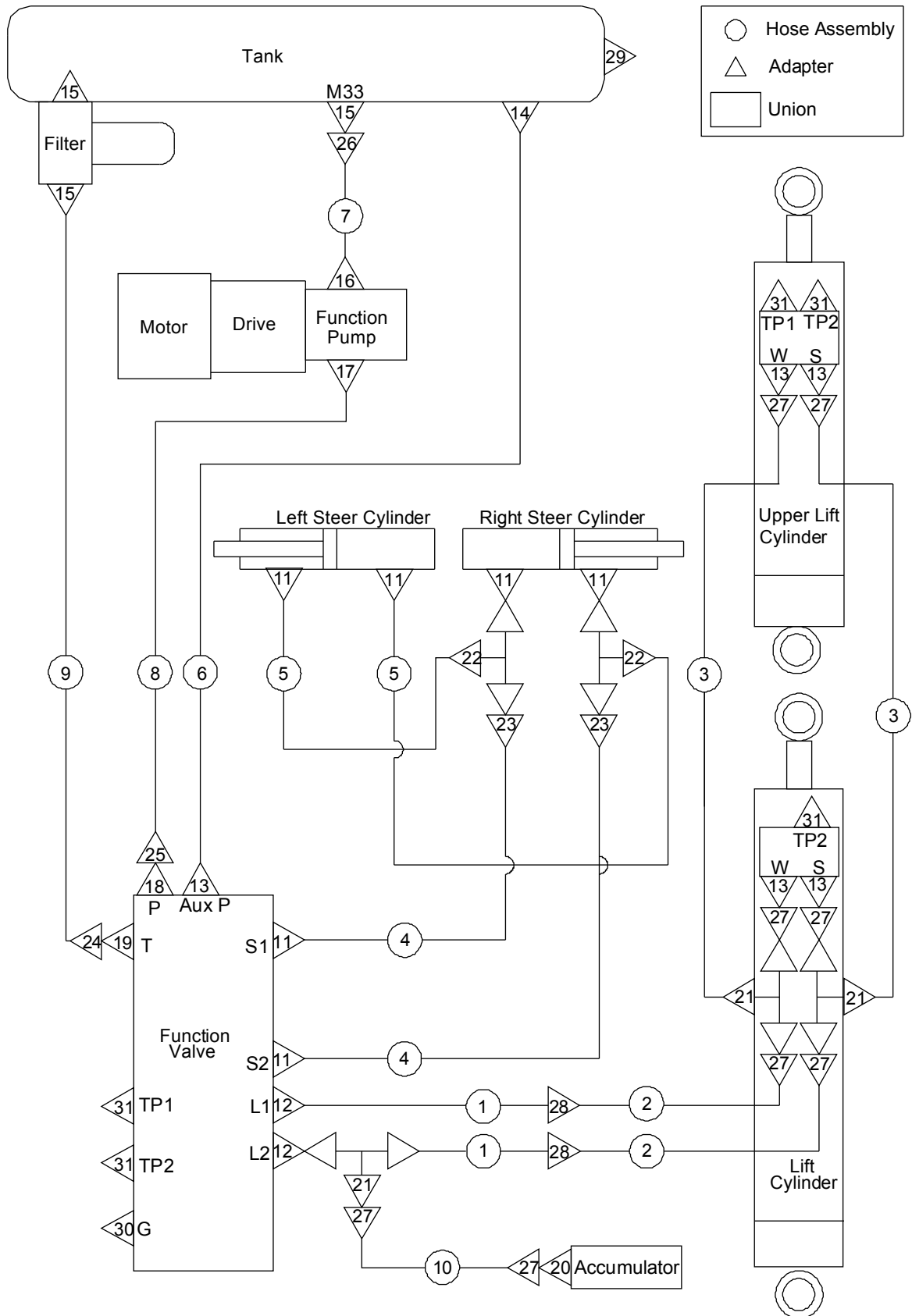
409.1 Hydraulic Hoses and Fittings-Function (SL1323-AWD)

Item	Part No.	Description	Qty.
1	00004176	Hose assembly	2
2	00004175	Hose assembly	2
3	00004178	Hose assembly	2
4	00004179	Hose assembly	2
5	00004180	Hose assembly	1
6	00004181	Hose assembly	1
7	00004182	Hose assembly	1
8	00004183	Hose assembly	1
9	00004184	Hose assembly	1
10	00001282	Straight fitting	6
11	00001262	Straight fitting	2
12	00001294	Straight fitting	3
13	00001501	Straight fitting	1
14	00002071	Straight fitting	3
15	00001782	Straight fitting	1
16	00001776	Straight fitting	1
17	00001266	Straight fitting	1
18	00001270	Straight fitting	1
19	00004018	Straight fitting	1
20	00001239	Tee fitting	1
21	00001237	Tee fitting	2
22	00001832	Elbow	2
23	00001836	Elbow	1
24	00001835	Elbow	1
25	00001837	Elbow	1
26	00001834	Elbow	4
27	00002137	Straight fitting	2
28	00001074	Plug VSTI16×1.5ED	1
29	00001075	Plug VSTI18×1.5ED	1

409.1 Hydraulic Hoses and Fittings-Function (SL1323-AWD)

Item	Part No.	Description	Qty.
30	00001073	Plug VST118×1.5ED	3

410.1 Hydraulic Hoses and Fittings-Function (SL1623-AWD)



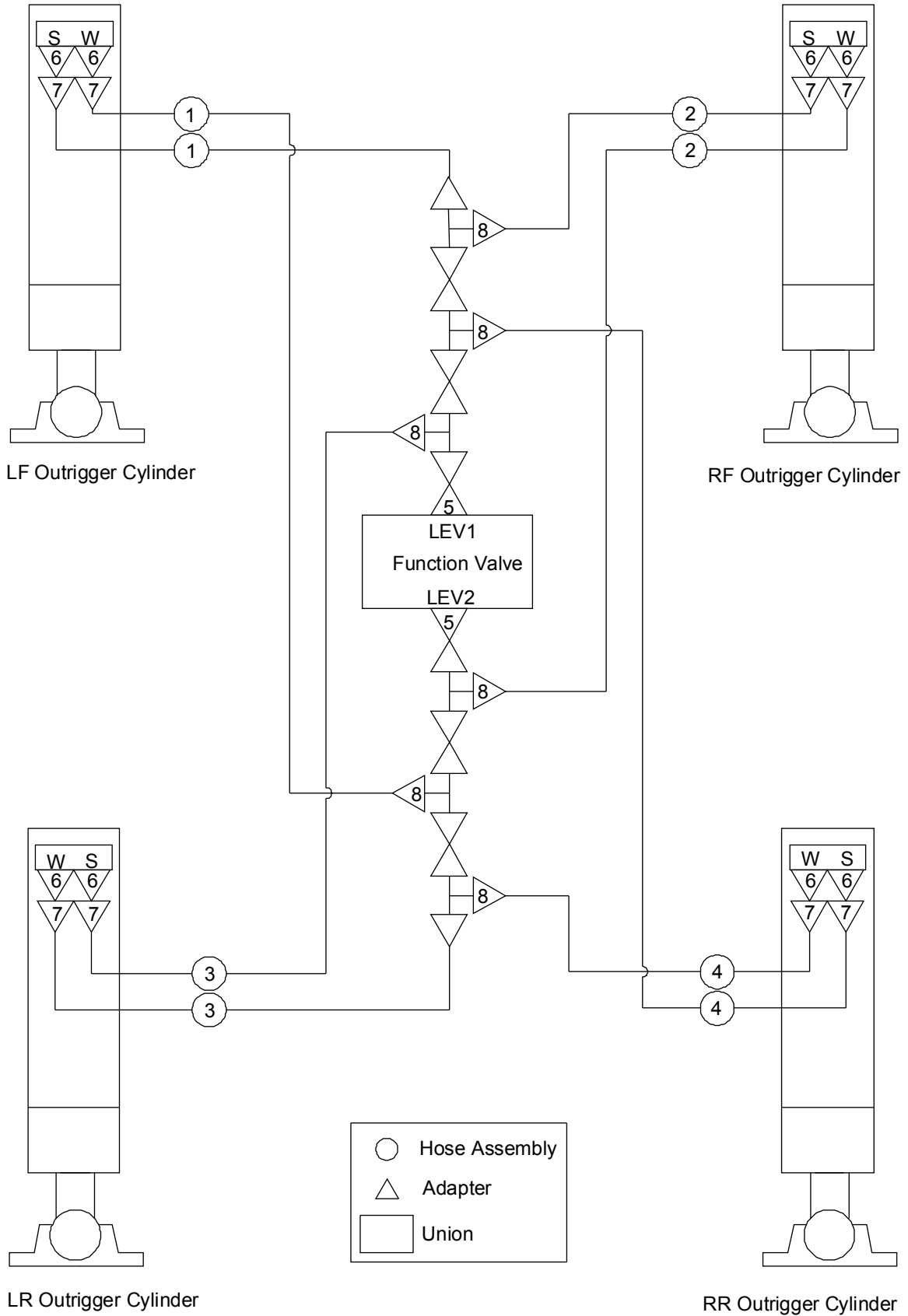
410.1 Hydraulic Hoses and Fittings-Function (SL1623-AWD)

Item	Part No.	Description	Qty.
1	00004176	Hose assembly	2
2	00004175	Hose assembly	2
3	00004177	Hose assembly	2
4	00004178	Hose assembly	2
5	00004179	Hose assembly	2
6	00004180	Hose assembly	1
7	00004181	Hose assembly	1
8	00004182	Hose assembly	1
9	00004183	Hose assembly	1
10	00004184	Hose assembly	1
11	00001282	Straight fitting	6
12	00001262	Straight fitting	2
13	00001294	Straight fitting	5
14	00001501	Straight fitting	1
15	00002071	Straight fitting	3
16	00001782	Straight fitting	1
17	00001776	Straight fitting	1
18	00001266	Straight fitting	1
19	00001270	Straight fitting	1
20	00004018	Straight fitting	1
21	00001239	Tee fitting	3
22	00001237	Tee fitting	2
23	00001832	Elbow	2
24	00001836	Elbow	1
25	00001835	Elbow	1
26	00001837	Elbow	1
27	00001834	Elbow	8
28	00002137	Straight fitting	2
29	00001074	Plug VSTI16×1.5ED	1

410.1 Hydraulic Hoses and Fittings-Function (SL1623-AWD)

Item	Part No.	Description	Qty.
30	00001075	Plug VSTI18×1.5ED	1
31	00001073	Plug VSTI14×1.5ED	5

411.1 Hydraulic Hoses and Fittings-Outrigger

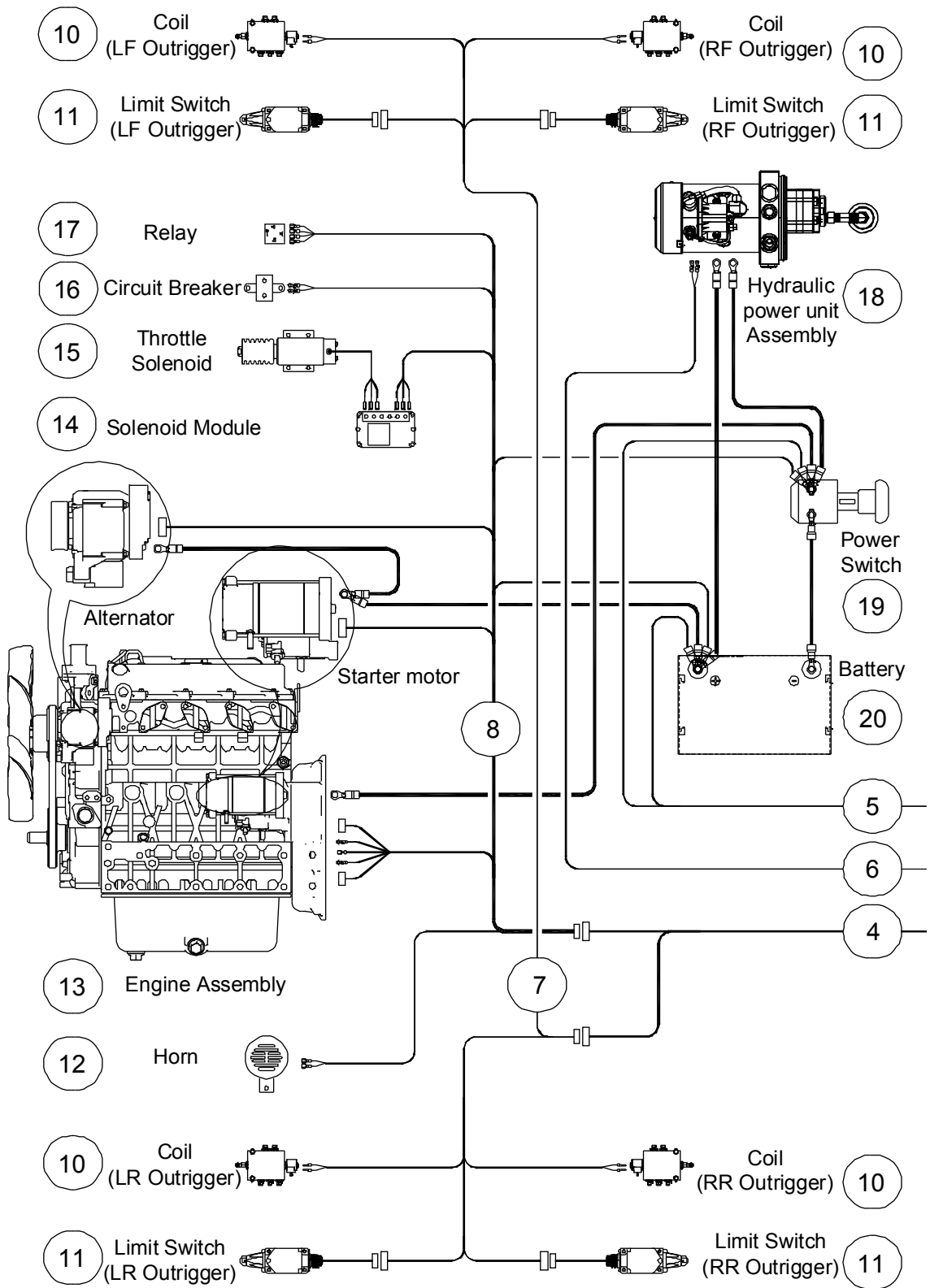


411.1 Hydraulic Hoses and Fittings-Outrigger

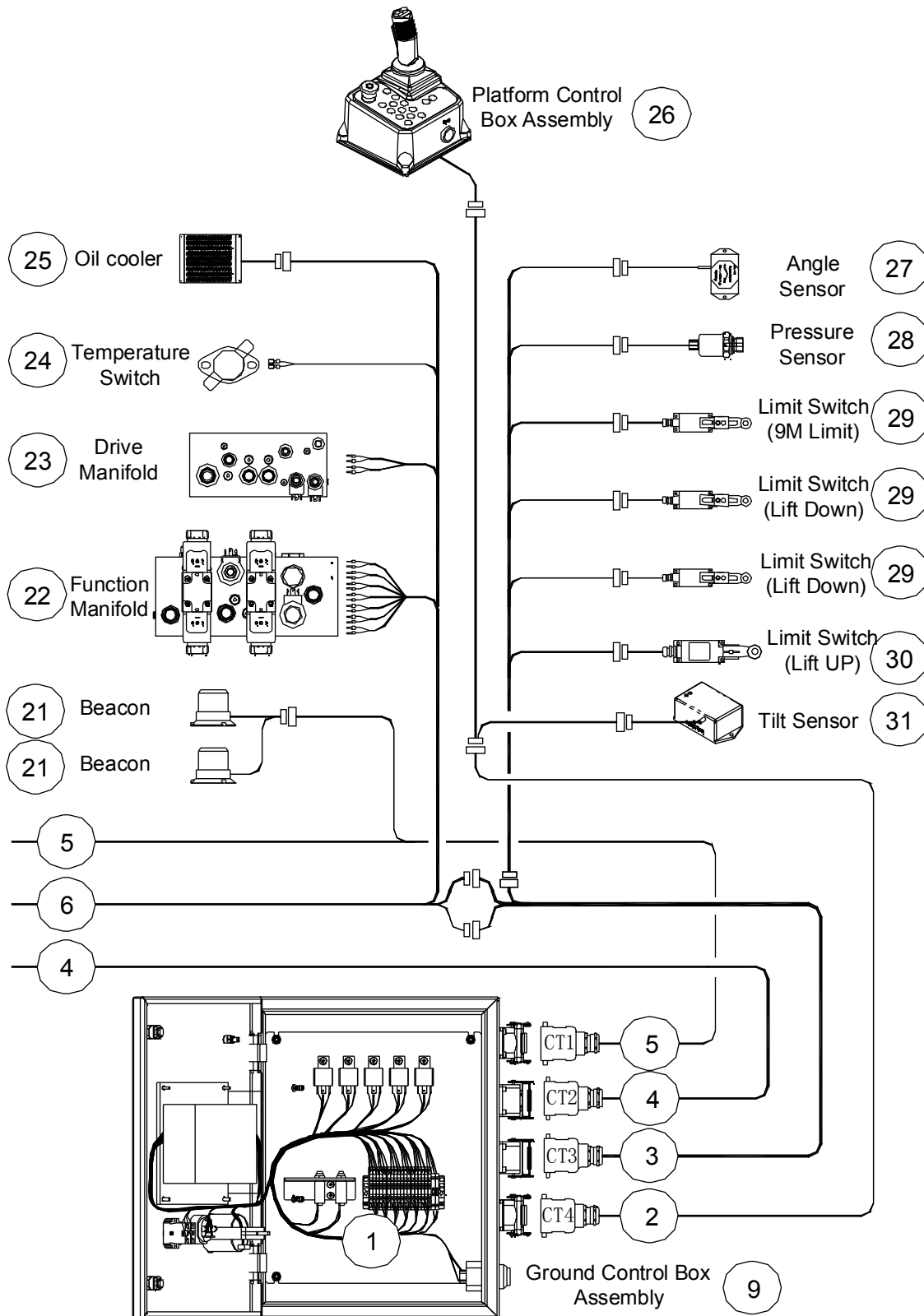
Item	Part No.	Description	Qty.
1	00004200	Hose assembly	2
2	00004201	Hose assembly	2
3	00004202	Hose assembly	2
4	00004203	Hose assembly	2
5	00001262	Straight fitting	2
6	00001261	Straight fitting	8
7	00001834	Elbow	8
8	00001239	Tee fitting	6

Section 5 Electrical System

501.1 Electrical Harness



501.1 Electrical Harness



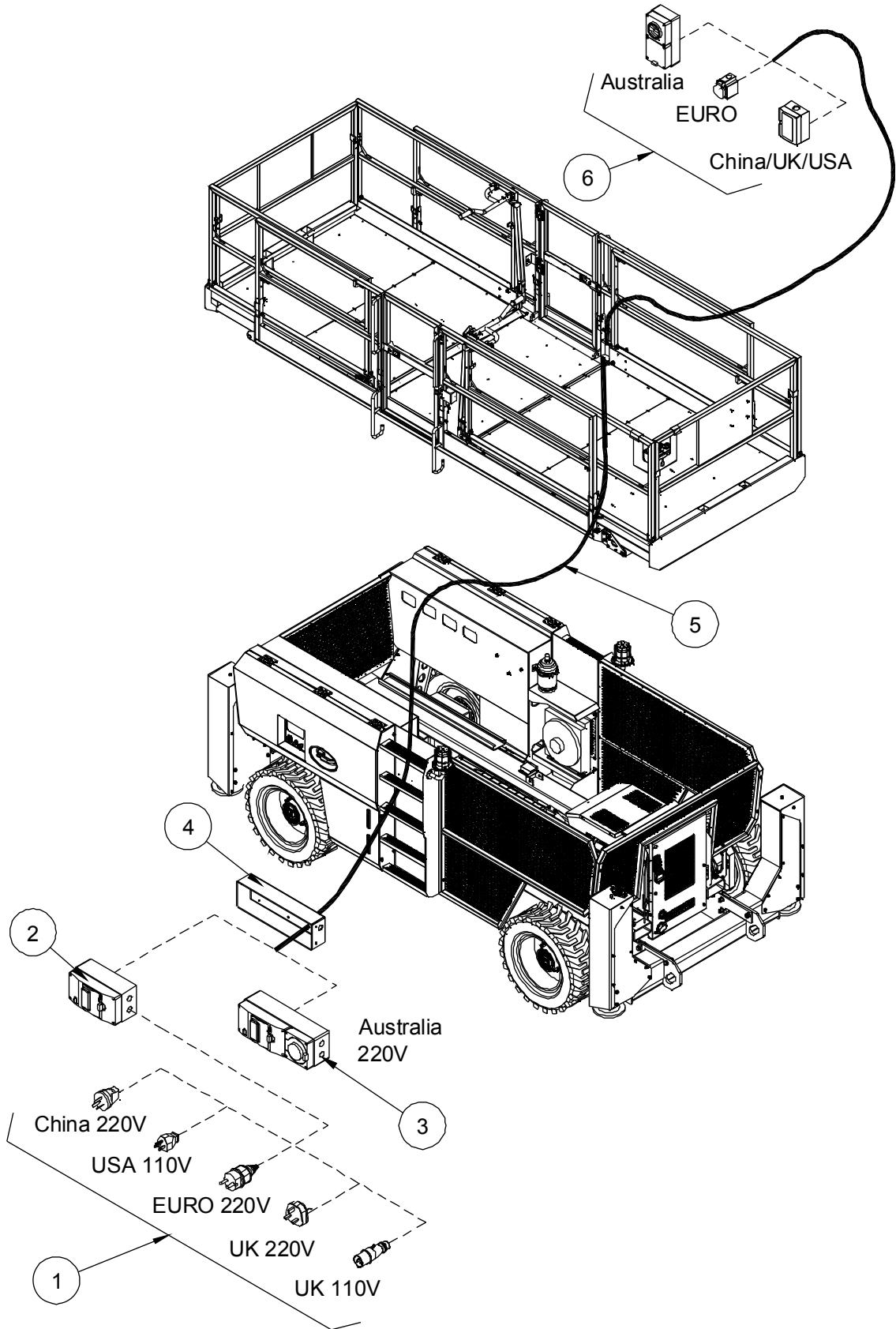
501.1 Electrical Harness

Item	Part No.	Description	Qty.
1	00002965	Ground control box harness	1
2	00002969	CT4 harness	1
3	00002968	CT3 harness	1
4	00002967	CT2 harness	1
5	00002966	CT1 harness	1
6	00002971	Manifold harness	1
7	00002972	Outrigger harness	1
8	00002970	Engine harness	1
9		Ground control box assembly (refer to 129.1)	1
10		Coil (refer to 405.1)	4
11		Limit switch (refer to 134.1)	4
12		Horn (refer to 109.1)	1
13		Engine (refer to 113.1)	1
14		Solenoid module (refer to 114.1)	1
15		Throttle solenoid (refer to 114.1)	1
16		Circuit breaker (refer to 109.1)	1
17		Relay (refer to 109.1)	1
18		Hydraulic power unit (refer to 121.1)	1
19		Power switch (refer to 127.1)	1
20		Battery (refer to 127.1)	1
21		Beacon (refer to 131.1)	2
22		Function manifold (refer to 406.1)	1
23		Drive manifold (refer to 407.1)	1
24		Temperature switch (refer to 124.1)	1
25		Oil cooler (refer to 132.1)	1
26		Platform control box assembly (refer to 308.1)	1
27		Angle sensor (refer to 202.1, 210.1)	1
28		Pressure sensor (refer to 401.1)	1
29		Limit switch (refer to 207.1)	3

501.1 Electrical Harness

Item	Part No.	Description	Qty.
30		Limit switch (refer to 207.1)	1
31		Tilt sensor (refer to 135.1)	1

503.1 Power to Platform

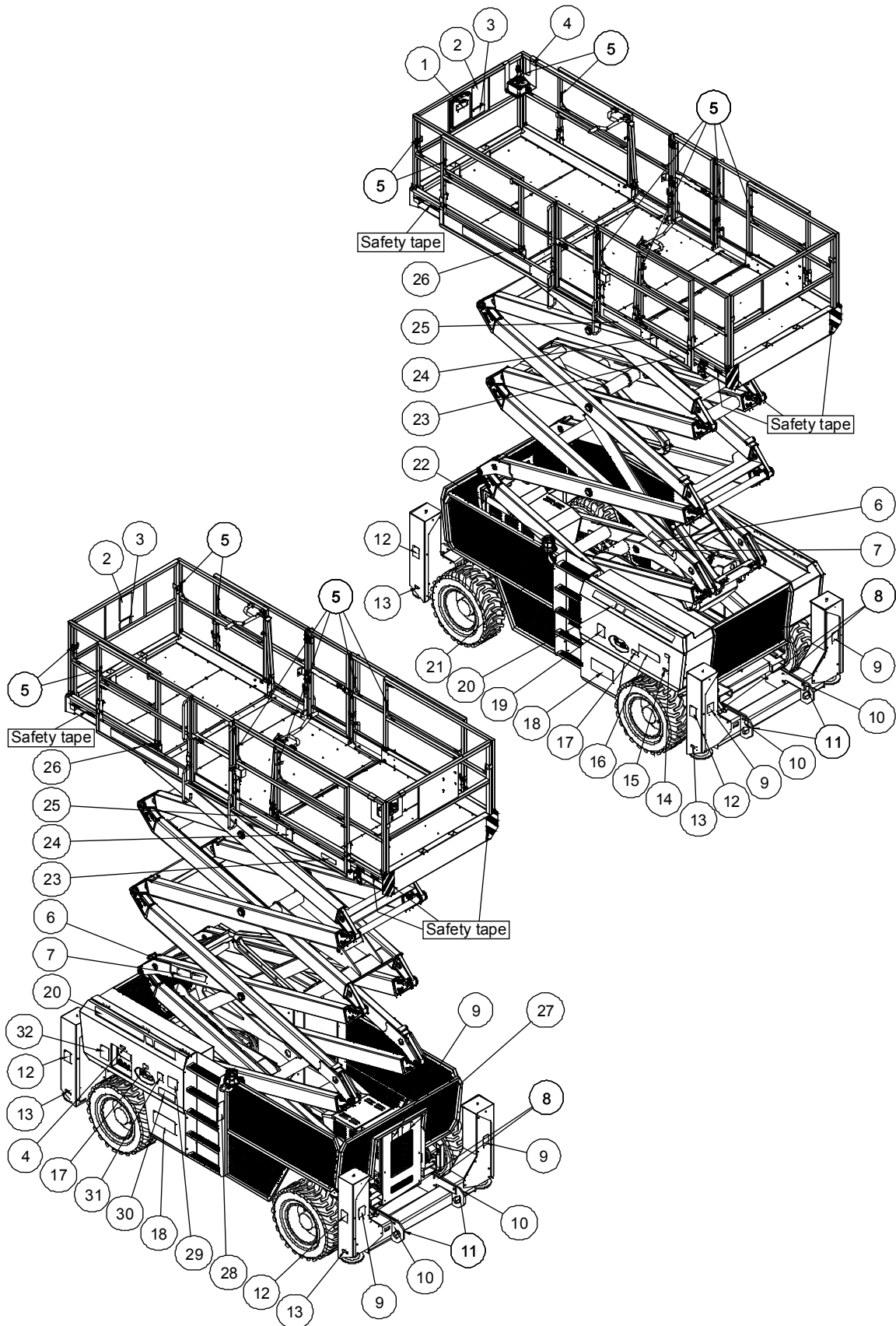


503.1 Power to Platform

Item	Part No.	Description	Qty.
1	00003148	AC plug (China 220V)	1
	00003149	AC plug (USA 110V)	1
	00003151	AC plug (European 220V)	1
	00003150	AC plug (UK 220V)	1
	00002615	AC plug (UK 110V)	1
2	00002634	Circuit breaker (Option)	1
3	10005291	Circuit breaker bracket (option)	1
4	00003147	AC plug (Australia 220V)	1
5	00004694	Wire cable, platform AC power (SL1323-AWD)	1
	00004695	Wire cable, platform AC power (SL1623-AWD)	1
6	00002617	AC socket (Australia)	1
	00002709	AC socket (European)	1
	00000668	AC socket (China/UK/USA)	1

Section 6 Decal

601.1 Decal



601.1 Decal

Item	Part No.	Description	Qty.
1	09340001	Decal, Notice-Keep the manual with the machine	1
2	09440119	Decal, Danger-Tip-over hazard, tilt-alarm	2
3	09440001	Decal, Danger-General safety rules	2
4	09340003	Decal, Instructions-Refer the operator to the instructions for use	2
5	09440059	Decal, Label-Lanyard anchorage point	16
6	09430003	Decal, Danger-Keep away from moving parts	2
7	09430001	Decal, Danger-Safety arm	2
8	09310130	Decal, Instructions-Maximum wheel load 2550kg (SL1323-AWD)	4
	09310132	Decal, Instructions-Maximum wheel load 2800kg (SL1623-AWD)	4
9	09420005	Decal, Warning-Collision hazard	5
10	09310050	Decal, Instructions-Tie down point	4
11	09310049	Decal, Instructions-Lift point	4
12	09410069	Decal, Warning-Crushing hazard, outrigger	4
13	09310134	Decal, Instructions-Maximum outrigger load 2550kg (SL1323-AWD)	4
	09310136	Decal, Instructions-Maximum outrigger load 2800kg (SL1623-AWD)	4
14	09310052	Decal, Instructions-Highest oil level	1
15	09310053	Decal, Instructions-Lowest oil level	1
16	09310146	Decal, Instructions-Hydraulic	1
17	09540001	Decal, Label-CE	2
18	09910007	Decal, Label-4×4	2
19	09410071	Decal, Warning-Injection hazard	1
20	09910012	Decal, Label-Cosmetic	2
21	09410005	Decal, Danger-Do not alter or disable limit switch	1
22	09410077	Decal, Caution-Pressurized vessel. Discharge prior to disassembly	1
23	09640069	Decal, Cosmetic-SL1323-AWD (SL1323-AWD)	2
	09640068	Decal, Cosmetic-SL1623-AWD (SL1623-AWD)	2

601.1 Decal

Item	Part No.	Description	Qty.
24	09440007	Decal, Caution-Max. manual force 400N	2
25	09440075	Decal, Label-Capacity 680kg (SL1323-AWD)	2
	09440076	Decal, Label-Capacity 680kg (SL1623-AWD)	2
26	09940004	Decal, Label-Summit	2
27	09410073	Decal, Caution-Restricting access compartment	1
28	09210015	Nameplate, Manufacturer serial number	1
29	09410001	Decal, Danger-Explosion/burn hazard	1
30	09310144	Decal, Instructions-Diesel	1
31	09310006	Decal, Notice-Main power switch operation	1
32	09410003	Decal, Warning-Inspected and operation properly	1

601.1 Decal

① 09340001

② 09440119

③ 09440001

⑥ 09430003

④ 09340003

⑤ 09440059

⑦ 09430001

⑧ 09310130

⑧ 09310132

⑩ 09310050

⑪ 09310049

⑨ 09420005

⑫ 09410069

⑬ 09310134

⑬ 09310136

⑭ 09310052

⑮ 09310053

⑰ 09540001

⑱ 09410071

⑯ 09310146

⑲ 09410077

⑳ 09910012

㉑ 09410005

㉒ 09410077

601.1 Decal

②③ 09640069

SL1323-AWD

②③ 09640068

SL1623-AWD

②⑤ 09440075

②⑤ 09440076

②④ 09440007

②⑥ 09940004

Summit

②⑦ 09410073

②⑧ 09210015

③① 09310006

③② 09410003

②⑨ 09410001

③⑩ 09310144

DIESEL