

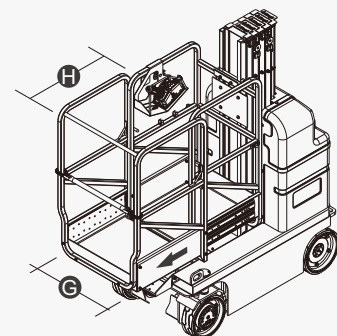
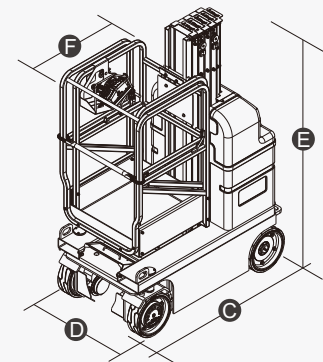
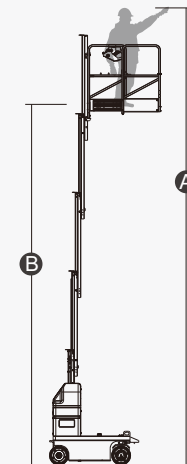
SPECIFICATIONS

Size	Metric	British
Max. Working Height A	9.50m	31ft 2in
Max. Platform Height B	7.50m	24ft 7in
Overall Length C	1.44m	4ft 9in
Overall Width D	0.80m	2ft 7in
Overall Height E	1.99m	6ft 6in
Platform Size(Length F /Width G)	0.73m×0.75m	2ft 5in×2ft 6in
Platform Extension Size H	0.53m	1ft 9in
Ground Clearance(Stowed)	0.06m	2in
Ground Clearance(Raised)	0.019m	1in
Wheelbase	1.12m	3ft 8in
Turning Radius(Inside/Outside)	0/1.60m	0/5ft 3in
Tyres	Φ323×100mm	Φ1ft 1in×4in

Performance		
S.W.L	136kg	299lb
Max. Occupants	1	1
Gradeability	25%	25%
Max. Working Slope	X-1.5°/Y-3°	X-1.5°/Y-3°
Travel Speed(Stowed)	4.0km/h	2.50mph
Travel Speed(Raised)	1.1km/h	0.70mph
UP/Down Speed	29/32sec	29/32sec

Weight		
Weight	1535kg	3384lb

Power		
Battery	2×12V/115Ah	2×12V/115Ah
Charger	24V/15A	24V/15A
Drive Motor	2×24VDC/1.0kW	2×24VDC/1.0kW
Lifting Motor	24VDC/2.0kW	24VDC/2.0kW



FEATURES

Standard Items

- Proportional Joystick Controls
- Self-Locking Gates
- One-Way Platform Extension Deck
- Drivable At Full Height
- Non-Marking Tires
- Two-Wheel Drive
- Two-Wheel Steering
- Automatic Braking System
- Emergency Descent System
- Tubing Explosion-Proof System
- Fault Diagnosis System
- Tilt Alarm
- Motion Alarm
- Horn
- Hour Meter
- Standard Transport Forklift Holes
- Charging Protection System
- Flashing Beacon
- Automatic Pothole Protection
- Drive Enable
- Charging Indicator
- Manual Brake Release
- Lanyard Attachment Point
- Tie-Down And Lifting Points
- Platform Load Sense System
- Emergency Stop Button



ZHEJIANG DINGLI MACHINERY CO., LTD.

Address: No.188 Qihang Road,Deqing,Zhejiang P.R.C 313219

Telephone: +86(572)8681688

E-Mail: export@cndingli.com

[Https://en.cndingli.com](https://en.cndingli.com)

Due to continuous technology updates, technical parameters are subject to change without notice. This picture book is for reference only, the actual product shall prevail. The copyright is owned by zhejiang dingli, any content may not be copied for any purpose without written permission.
2022-10

