

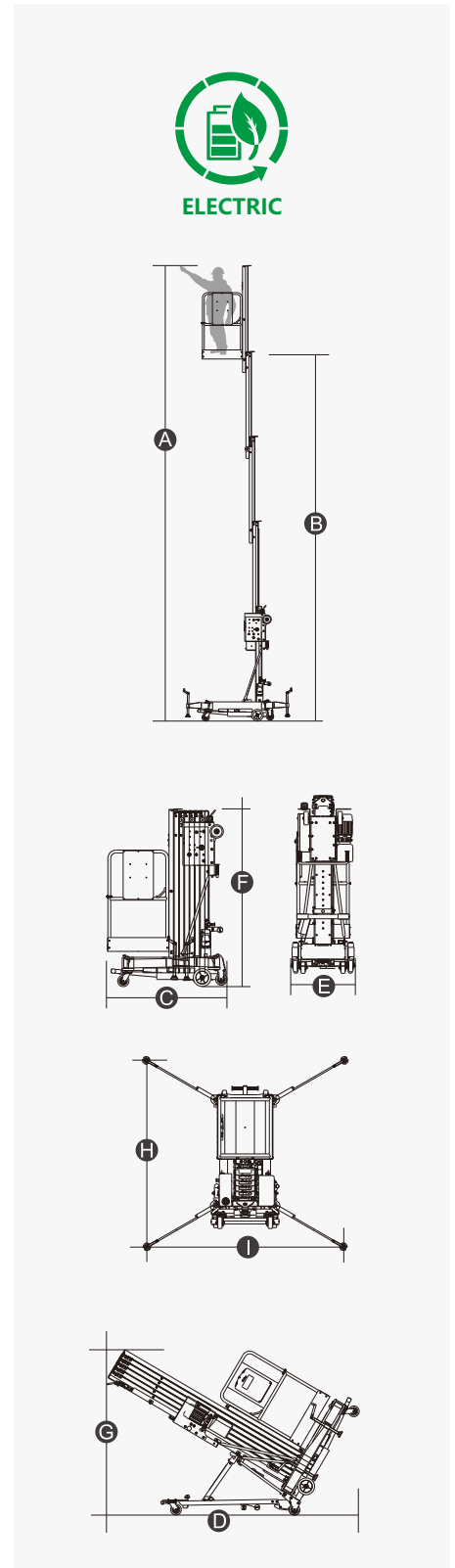
SPECIFICATIONS

Size	Metric	British
Max. Working Height A	14.00m	45ft 11in
Max. Platform Height B	12.00m	39ft 4in
Overall Length(Stowed) C	1.53m	5ft
Overall Length(Tilted Back) D	3.04m	10ft
Overall Width E	0.75m	2ft 6in
Overall Height(Stowed) F	2.77m	9ft 1in
Overall Height(Tilted Back) G	1.95m	6ft 5in
Outrigger Footprint(Length H /Width I)	2.08m/2.15m	6ft 10in/7ft 1in
Platform Size(Length×Width)	0.70m×0.60m	2ft 4in×2ft
Ground Clearance	0.055m	2in
Tyres(Front)	0.20m	8in
Tyres(Back)	0.13m	5in

Performance		
S.W.L	136kg	299lb
Max. Occupants	1	1
Up/Down Speed	45/29sec	45/29sec

Weight		
Weight - AC	559kg	1232lb
Weight - DC	588kg	1296lb

Power		
Battery	12V/85Ah	12V/85Ah
Charger	12V/15A	12V/15A
Lifting Motor - AC	220VAC/1.5kW	220VAC/1.5kW
Lifting Motor - DC	12VDC/1.5kW	12VDC/1.5kW



FEATURES

Standard Items

- Self-Locking Gates
- Emergency Descent System
- Tubing Explosion-Proof System
- Motion Alarm
- Charging Indicator(DC type)
- Charging Protection System(DC type)
- Flashing Beacon
- Lanyard Attachment Point
- Tie-Down And Lifting Points
- Emergency Stop Button



ZHEJIANG DINGLI MACHINERY CO., LTD.

Address: No.188 Qihang Road,Deqing,Zhejiang P.R.C 313219

Telephone: +86(572)8681688

E-Mail: export@cndingli.com

[Https://en.cndingli.com](https://en.cndingli.com)

Due to continuous technology updates, technical parameters are subject to change without notice. This picture book is for reference only, the actual product shall prevail. The copyright is owned by zhejiang dingli, any content may not be copied for any purpose without written permission.
2022-10

